



Xiaomi Vacuum Cleaner G20 Lite User Manual	• 01
Manuale utente Xiaomi Vacuum Cleaner G20 Lite	• 09
Manuel d'utilisation du Xiaomi Vacuum Cleaner G20 Lite	• 18
Xiaomi Staubsauger G20 Lite Bedienungsanleitung	• 27
Manual de usuario de Xiaomi Vacuum Cleaner G20 Lite	• 37
Manual do utilizador do Aspirador Xiaomi G20 Lite	• 46
Руководство пользователя пылесоса Xiaomi Vacuum Cleaner G20 Lite	• 55
Instrukcja obsługi Odkurzacza Xiaomi G20 Lite	• 65
Посібник користувача пилососа Xiaomi Vacuum Cleaner G20 Lite	• 74
Xiaomi Elektrikli El Süpürgesi G20 Lite Kullanım Kılavuzu	• 83
Xiaomi G20 Lite מדריך למשתמש שואב אבק	• 92
Panduan Pengguna Xiaomi Vacuum Cleaner G20 Lite	• 100
คู่มือการใช้งานเครื่องดูดฝุ่น Xiaomi G20 Lite	• 111
Máy hút bụi Xiaomi G20 Lite Hướng dẫn sử dụng	• 120
Xiaomi من G20 Lite دليل مستخدم المكنسة الكهربائية	• 129





Safety Instructions

This product is for household use only. Read this manual carefully before use, and retain it for future reference.

- This appliance can be used by children aged from 8 years and above and persons with reduced physical, sensory or mental capabilities or lack of experience and knowledge if they have been given supervision or instruction concerning use of the appliance in a safe way and understand the hazards involved. Children shall not play with the appliance. Cleaning and user maintenance shall not be made by children without supervision.
- This appliance contains batteries that are only replaceable by skilled persons.
- The appliance is only to be used with the power supply unit provided with the appliance.
- This vacuum is for indoor use only. Do not use or install it in outdoor, industrial, or commercial environments.
- A hazard may occur if the appliance runs over the supply cord.
- The plug must be removed from the socket-outlet before cleaning or maintaining the appliance.
- To reduce the risk of fire, explosion, or personal injury, check before use to make sure the power supply is undamaged. Do not use the vacuum if the power adapter is damaged.
- If the charger or battery becomes damaged, it must be replaced with a genuine component purchased from the manufacturer or after-sales service department.
- Make sure to turn the vacuum cleaner off before cleaning or replacing the roller brush.
- The electric brush bar, the extension rod, and the vacuum cleaner are electrically conductive and should not be immersed in water or other liquids. Make sure the filter, pre-filter and post-filter are thoroughly dry after cleaning.
- To prevent injury, turn off the vacuum cleaner and remove the electric brush bar before cleaning and maintenance. Do not use the vacuum cleaner before installing the electric brush bar, dust compartment cover, filter, pre-filter, and post-filter properly.
- Periodically check the extension rod and do not use it if it is damaged.
- Neither use the vacuum cleaner to pick up flammable or explosive liquids such as gasoline, nor other liquids such as water or toxic liquids like bleach, ammonia, and drain cleaners.
- Do not use the vacuum to clean up toner used in laser printers and copiers, as toner may cause fire or explosion.
- Do not use the vacuum cleaner to pick up drywall particles, ashes like fireplace ash, or smoking or burning materials such as coal, cigarette butts or matches.
- Do not use the vacuum cleaner to pick up sharp or hard objects, such as glass, nails, screws, or coins, which may damage the product.
- Do not use the vacuum cleaner to clean stains of thick oily substances, strong adhesives, or dyes, such as shoe polish, paints, and pigments.
- Keep hair, loose clothing, fingers, and other parts of the body away from the vacuum cleaner's openings and moving parts.
- Do not point the suction opening, extension rod, or other accessories at your eyes or ears or put them in your mouth.
- Do not put any object into the vacuum cleaner's openings, nor use the vacuum cleaner with any opening blocked. Keep free of dust, lint, hair, or other items which may reduce the suction power of the vacuum cleaner.
- Do not lean the vacuum cleaner on unstable objects such as chairs or tables to prevent damage or injury caused by it falling off.
- Do not charge or store the vacuum near heat sources or in humid areas, such as by a radiator or in a kitchen or bathroom.
- Do not expose the appliance or battery to excessive temperatures.
- Be aware of the risk of terminals of the battery-operated appliance or battery being short-circuited by metal objects.
- Only use replacement parts that are approved by Xiaomi.
- In the event of a battery leak, avoid contact with the liquid and dispose of the battery at a government-approved recycling facility. In case of contact with eyes, rinse with plenty of water and seek medical attention immediately.
- Please be extra careful when using the vacuum cleaner to clean stairs.
- Fire Hazard Warning: Do not apply any type of fragrance to the vacuum cleaner's pre-filter and post-filter. These types of products are known to contain flammable chemicals which may cause the vacuum cleaner to catch fire.
- Strictly follow the instructions in this user manual to charge the vacuum at an ambient temperature of 0°C to 35°C. Improper charging may result in damage to the battery.
- Please strictly follow the instructions in this user manual when using the vacuum cleaner. Users are responsible for any loss or damage that may arise from improper use of the vacuum cleaner.
- **WARNING:** Only use the supply unit provided with this appliance.
- **WARNING:** For the purposes of recharging the battery, only use the detachable supply unit provided with this appliance.
- Use only with BLJ15WJ270050P-V or AD-D0752700050EU01 supply unit.

Regulatory Compliance Information



EU Declaration of Conformity

We, Beijing Shunzao Technology Co., Ltd., hereby declare that this equipment is in compliance with the applicable Directives and European Norms, and amendments. The full text of the EU declaration of conformity is available at the following internet address: <http://www.mi.com/global/service/support/declaration.html>



WEEE Disposal and Recycling Information

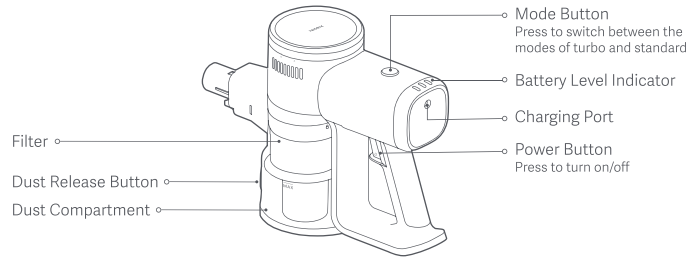
All products bearing this symbol are waste electrical and electronic equipment (WEEE as in directive 2012/19/EU) which should not be mixed with unsorted household waste. Instead, you should protect human health and the environment by handing over your waste equipment to a designated collection point for the recycling of waste electrical and electronic equipment, appointed by the government or local authorities. Correct disposal and recycling will help prevent potential negative consequences to the environment and human health. Please contact the installer or local authorities for more information about the location as well as terms and conditions of such collection points.



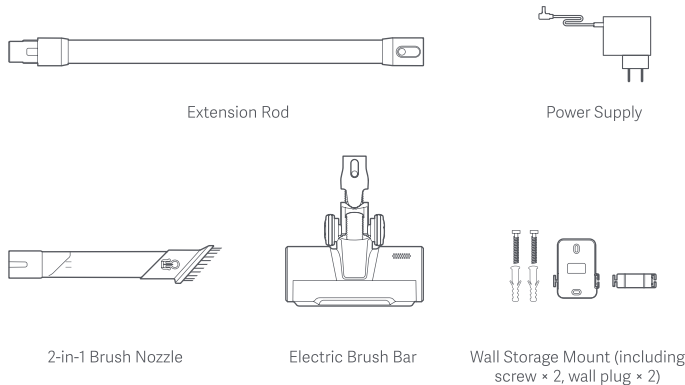


Product Overview

Vacuum Cleaner



Accessory List



Note: Illustrations of product, accessories, and user interface in the user manual are for reference purposes only. Actual product and functions may vary due to product enhancements.

How to Install

Installing the accessories onto the vacuum cleaner

- Connecting extension rod to vacuum cleaner and electric brush bar

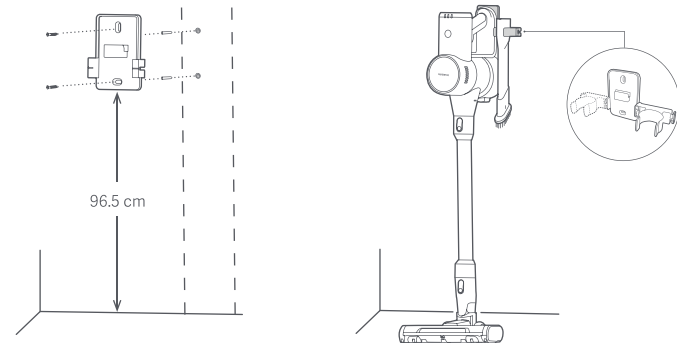


- Connecting 2-in-1 brush nozzle to vacuum cleaner



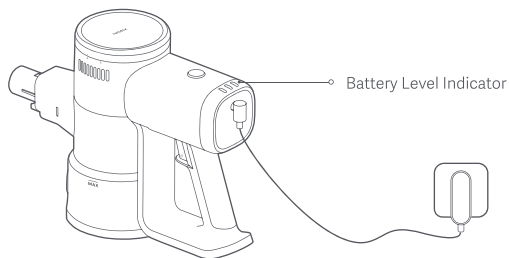
Installing the wall storage mount

- Choose a cool and dry place with an electrical outlet nearby. Before installing, make sure that there are not any wires or pipes in the wall directly behind where the mount will be installed.
- The distance between the bottom of the wall storage mount and the ground is recommended to be 96.5 cm.
- Hold the wall storage mount in position, and make marks on the wall according to the holes on the mount.
- Use a power drill with an 8 mm drill bit to drill a hole approximately 40 mm deep in each marked position, then insert a wall plug into each hole.
- Align the mounting holes on the wall storage mount with the holes on the wall, and then use the included screws to secure the mount to the wall.





Charging



Battery level indicator status description

● Off

⚡ Blinking

○ On

Working

○ ● ●

Low battery

○ ○ ○

Nearly full

○ ○ ●

Half battery

Charging

⚡ ● ●

Low battery

○ ○ ⚡

Nearly full

○ ⚡ ●

Half battery

○ ○ ○

Fully charged

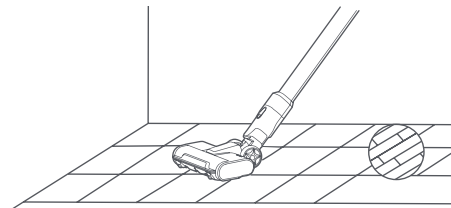
Notes:

- Fully charge the vacuum cleaner before using it for the first time. This will take about 5 hours.
- The vacuum cleaner cannot be used while charging.
- Once the vacuum cleaner is fully charged, the indicator will turn off after 20 seconds, and the vacuum cleaner will then enter the energy-saving mode.
- Vacuuming at the highest suction level for a prolonged period will cause the battery to heat up, which may increase the charging time. Before charging the vacuum cleaner, it is better to cool it down for 30 minutes.

How to Use

Electric Brush Bar

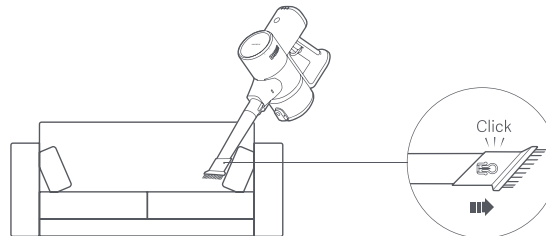
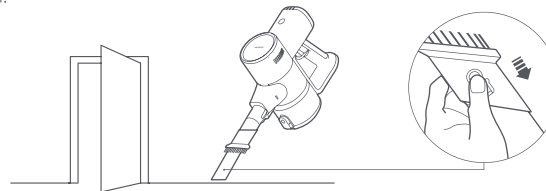
For cleaning marble, wood, and short pile carpeted floors.



2-in-1 Brush Nozzle

Suitable for cleaning places with crevices, such as keyboards, curtains, sofas, ceilings, corners, and car interiors.

Note: To avoid potential safety hazards, do not expose the vacuum cleaner to direct sunlight or store it in environments with high temperatures like inside a car in summer.





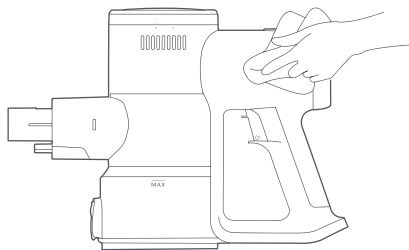
Care & Maintenance

CAUTIONS:

- Before care and maintenance, unplug the power supply and make sure the vacuum cleaner is turned off.
- Always use genuine parts to ensure normal operation and to keep your warranty valid.
- If the filter, pre-filter, extension rod, or 2-in-1 brush nozzle is blocked, the vacuum cleaner will stop working. Before using the vacuum cleaner again, turn it off and clean the blocked part.
- If the brush bar gets blocked, it will stop working but the vacuum cleaner itself will not. Before using the vacuum cleaner again, turn it off and clean the brush bar.
- Before cleaning, remove the brush head from the vacuum cleaner to prevent accidentally turning on the vacuum cleaner, which can cause injury.
- If the vacuum cleaner will not be used for an extended period, fully charge it and disconnect it from the power then store it in a cool, low-humidity environment away from direct sunlight.
- To avoid over-discharging the battery, recharge the vacuum cleaner at least once every three months.

Cleaning the Vacuum Cleaner

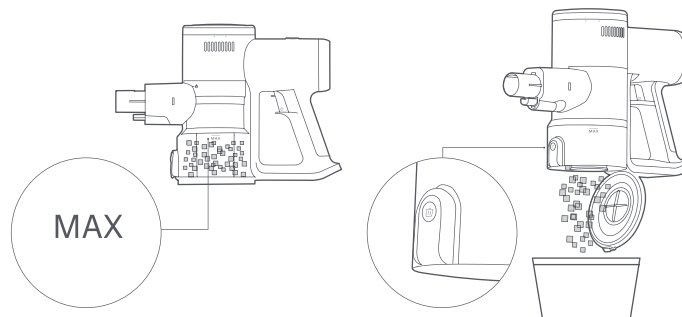
Wipe the vacuum cleaner with a soft, dry cloth.



Cleaning the dust compartment

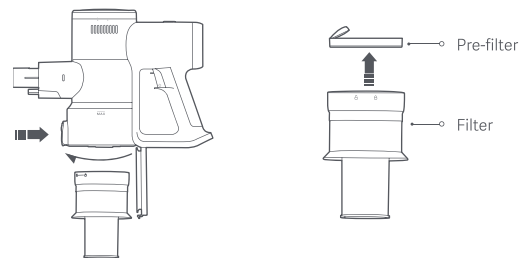
Before cleaning the dust compartment, disconnect the power supply and remove the extension rod. The vacuum's cleaning ability will be reduced if the dust compartment is filled to the "MAX" mark. To regain performance, empty the dust compartment.

- Empty the dust compartment: Hold the dust compartment over a trash bin, then press the dust release button to empty out the contents.



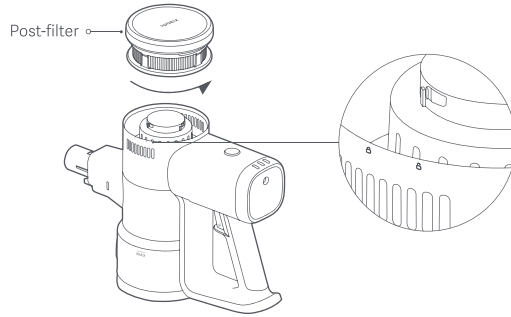
Cleaning the filter assembly

1. Press the dust release button to open the dust compartment, turn the filter as illustrated to remove it, then remove the pre-filter from the filter.





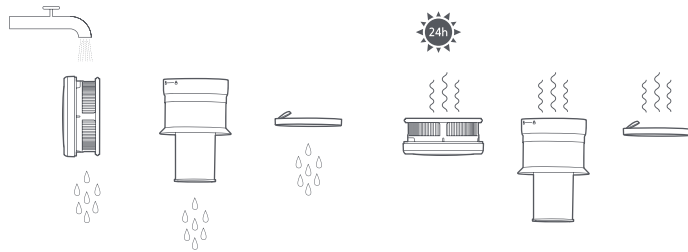
2. Turn the post-filter as illustrated to remove it.



3. Rinse the filter, pre-filter, and post-filter under running tap water until clean, then set them aside to fully dry for at least 24 hours.

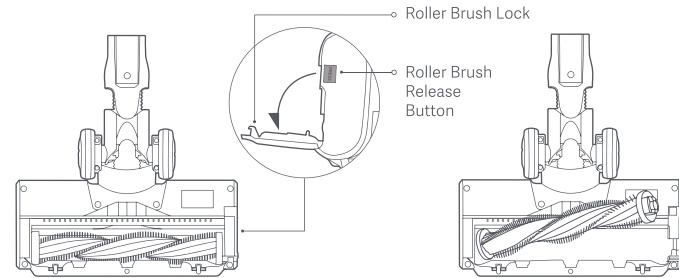
Notes:

- Never soak the filter, pre-filter, and post-filter.
- When cleaning the post-filter, rinse it repeatedly and tap its edge lightly to remove any dust and debris until it is clean.
- Do not clean the pre-filter and post-filter with your hands, a brush, or a sharp object to prevent damage.
- If the suction power is still significantly reduced after the pre-filter and post-filter are cleaned, you can try to purchase and replace them with genuine ones.



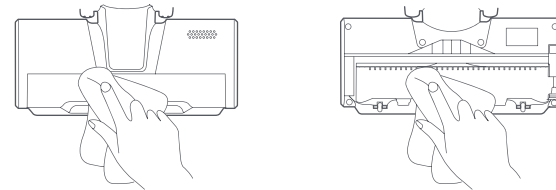
Cleaning the electric brush bar

1. Place the brush bar upside down and press the roller brush release button to unlock the roller brush and remove it.

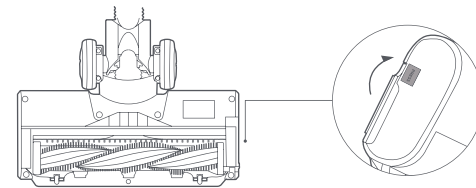


2. Use a dry cloth or paper towel to wipe dust and debris from the suction opening and the transparent cover.

Note: Do not clean the electric brush bar with water as it has a built-in motor.



3. Reinstall the roller brush, and press the lock to lock it into place.





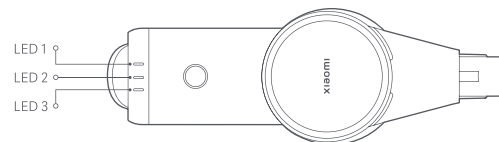
Common Issue

Common Issue	Possible Cause	Solution
The vacuum cleaner does not work.	Battery is depleted.	Charge the vacuum cleaner before use.
	The suction opening, air duct, pre-filter, or post-filter is blocked.	Check and clean immediately.
	The filter, pre-filter, or post-filter is not installed in place.	Check and install in place.
	The battery temperature protection is triggered.	Wait until the battery temperature returns to normal, then resume use.
The suction power reduces.	The dust compartment is full, or the pre-filter or the post-filter is blocked.	Check and clean immediately.
	Brush head is clogged.	Clean the brush head.
Low battery life.	Battery is not fully charged.	Charge the vacuum cleaner before use.
	The dust compartment is full, or the pre-filter or the post-filter is blocked.	Check and clean immediately.
	Brush head is clogged.	Clean the brush head.
The roller brush does not rotate.	The roller brush is stuck by foreign objects.	Remove any foreign object, and then resume use.
	The high-temperature protection for the brush bar's motor is triggered.	Wait for the temperature of the brush bar's motor to return to normal before use.
	The conductive contacts are dirty.	Wipe the contacts with a soft dry cloth and try again.
Unable to charge.	The power supply being used is not genuine.	Only use the genuine power supply to charge the vacuum cleaner.
The battery charges slowly.	The battery temperature protection is triggered.	Wait until the battery temperature returns to normal, then resume use

Note: If the solutions above do not resolve the issue, please contact the after-sales service team.

Troubleshooting

If the vacuum cleaner is not working properly, the battery level indicator will display an error message. Refer to the table below for troubleshooting.



Error message	Possible Cause	Solution
LED 1, LED 2 and LED 3 blink three times simultaneously.	Power supply error	Only use the genuine power supply to charge the vacuum cleaner.
	The battery temperature protection is triggered.	Wait for the temperature of the brush bar's motor to return to normal before use.
	Battery cell error	Contact the after-sales service team
	Temperature sensor error	
	Motor error	
LED 1 blinks ten times.	Battery Depleted	Only use the genuine power supply to charge the vacuum cleaner.

Specifications

Xiaomi Vacuum Cleaner G20 Lite			
Name	Cordless Vacuum Cleaner	Model	C203
Rated Voltage	22.2 V $\overline{\text{---}}$	Rated Power	215 W
Charging Voltage	27.0 V $\overline{\text{---}}$	Net Weight	2.4 kg
Electric Brush Bar			
Model	C203-DS	Rated Voltage	22.2 V $\overline{\text{---}}$
Rated Power	15 W		
Power Supply			
Manufacturer	Zhongshan Baolijin Electronic Co., Ltd.		
Model	BLJ15WJ270050P-V	Average Active Efficiency	85.9%
Rated Input	100-240 V \sim 50/60 Hz 0.5 A	Efficiency at Low Load (10%)	73.2%
Rated Output	27.0 V $\overline{\text{---}}$ 0.5 A 13.5 W	No-load Power Consumption	0.09 W
Manufacturer	Shenzhen AMC Technology Co., Ltd.		
Model	AD-D0752700050EU01	Average Active Efficiency	84.5%
Rated Input	100-240 V \sim 50/60 Hz 0.8 A	Efficiency at Low Load (10%)	75.5%
Rated Output	27.0 V $\overline{\text{---}}$ 0.5 A 13.5 W	No-load Power Consumption	0.09 W

Note: Model BLJ15WJ270050P-V and AD-D0752700050EU01 are both applicable for the vacuum cleaner, and only one comes with the package.

Environmental Notice

The rechargeable lithium-ion battery pack of this vacuum cleaner contains chemicals that may pollute the environment. Before disposing of the vacuum cleaner, remove the batteries and then discard them at an appropriate recycling facility.

- The battery must be removed from the appliance before it is scrapped.
- The appliance must be disconnected from the supply mains when removing the battery.
- The battery is to be disposed of safely.

CAUTIONS:

- Make sure the vacuum cleaner is disconnected from power and the batteries are fully drained before battery removal.
- Take the removed batteries to the professional recycling facility to properly dispose of them.
- Do not leave the batteries in a high-temperature environment; otherwise, they may explode.
- In the event of a battery leak, avoid contact with the liquid. If the liquid enters the eyes, rinse with plenty of water and seek medical attention immediately.

Steps to Remove the Battery:

1. Remove the back covers of the vacuum cleaner and the handle, and remove the micro switch from the handle.
2. Use a screwdriver to remove the screws in the vacuum cleaner, then unplug the wires and take out the battery pack assembly.
3. Unscrew the two screws above the circuit board of the battery pack assembly.
4. Remove the upper and lower covers on the circuit board and battery pack, and take out the batteries.



WARRANTY NOTICE

THIS WARRANTY GIVES YOU SPECIFIC RIGHTS, AND YOU MAY HAVE OTHER RIGHTS CONVEYED BY LAWS OF YOUR COUNTRY, PROVINCE OR STATE. INDEED, IN SOME COUNTRIES, PROVINCES OR STATES, CONSUMER LAW MAY IMPOSE A MINIMUM WARRANTY PERIOD. OTHER THAN AS PERMITTED BY LAW, XIAOMI DOES NOT EXCLUDE, LIMIT OR SUSPEND OTHER RIGHTS YOU MAY HAVE. FOR A FULL UNDERSTANDING OF YOUR RIGHTS WE INVITE YOU TO CONSULT THE LAWS OF YOUR COUNTRY, PROVINCE OR STATE.

1. LIMITED PRODUCT WARRANTY

XIAOMI warrants that the Products are free from defects in materials and workmanship under normal use and use in accordance with the respective Product user manual, during the Warranty Period. The duration and conditions related to the legal warranties are provided by respective local laws. For more information about the consumer warranty benefits, please refer to Xiaomi's official website <https://www.mi.com/global/support/warranty>.

Xiaomi warrants to the original purchaser that its Xiaomi Product will be free from defects in materials and workmanship under normal use in the period mentioned above.

Xiaomi does not guarantee that the operation of the Product will be uninterrupted or error free.

Xiaomi is not liable for damages arising from non-compliance with the instructions related to the use of the Product.

2. REMEDIES

If a hardware defect is found and a valid claim is received by Xiaomi within the Warranty Period, Xiaomi will either (1) repair the product at no charge, (2) replace the product, or (3) refund the Product, excluding potential shipping costs.

3. HOW TO OBTAIN WARRANTY SERVICE

To obtain warranty service, you must deliver the Product, in its original packaging or similar packaging providing an equal degree of Product protection, to the address specified by Xiaomi. Except to the extent prohibited by applicable law, Xiaomi may require you to present proofs or proof of purchase and / or comply with registration requirements before receiving warranty service.

4. EXCLUSIONS AND LIMITATIONS

Unless otherwise stipulated by Xiaomi, this Limited Warranty applies only to the Product manufactured by or for Xiaomi and identifiable by the trademarks, trade name or "Xiaomi" or "Mi" logo.

The Limited Warranty does not apply to any (a) Damage due to acts of nature or God, for example, lightning strikes, tornadoes, flood, fire, earthquake or other external causes; (b) Negligence; (c) Commercial use; (d) Alterations or modifications to any part of the Product; (e) Damage caused by use with non-Xiaomi products; (f) Damage caused by accident, abuse or misuse; (g) Damage caused by operating the Product outside the permitted or intended uses described by Xiaomi or with improper voltage or power supply; or (h) Damage caused by service (including upgrades and expansions) performed by anyone who is not a representative of Xiaomi.

It is your responsibility to backup any data, software, or other materials you may have stored or preserved on the product. It is likely that the data, software or other materials in the equipment will be lost or reformatted during the service process. Xiaomi is not responsible for such damage or loss.

No Xiaomi reseller, agent, or employee is authorized to make any modification, extension, or addition to this Limited Warranty. If any term is held to be illegal or unenforceable, the legality or enforceability of the remaining terms shall not be affected or impaired.

Except as prohibited by laws or otherwise promised by Xiaomi, the after-sales services shall be limited to the country or region of the original purchase.

Products which were not duly imported and/or were not duly manufactured by Xiaomi and/or were not duly acquired from Xiaomi or a Xiaomi's official seller are not covered by the present warranties. As per applicable law you may benefit from warranties from the non-official retailer who sold the product. Therefore, Xiaomi invites you to contact the retailer from whom you purchased the product.

The present warranties do not apply in Hong Kong and Taiwan.

5. IMPLIED WARRANTIES

Except to the extent prohibited by applicable law, all implied warranties (including warranties of merchantability and fitness for a particular purpose) will have a limited duration up to a maximum duration of this limited warranty. Some jurisdictions do not allow limitations on the duration of an implied warranty, so the above limitation will not be applied in these cases.

6. DAMAGE LIMITATION

Except to the extent prohibited by applicable law, Xiaomi shall not be liable for any damages caused by accidents, indirect, special or consequential damages, including but not limited to loss of profits, revenue or data, damages resulting from any breach of express or implied warranty or condition, or under any other legal theory, even if Xiaomi has been informed of the possibility of such damages. Some jurisdictions do not allow the exclusion or limitation of special, indirect, or consequential damages, so the above limitation or exclusion may not apply to you.

7. XIAOMI CONTACTS

For customers, please visit the website: <https://www.mi.com/global/support/warranty>

The contact person for the after-sale service may be any person in Xiaomi's authorized service network, Xiaomi's authorized distributors or the final vendor who sold the products to you. If in doubt please contact the relevant person as Xiaomi may identify.



Istruzioni di sicurezza

Questo prodotto è destinato esclusivamente all'utilizzo domestico. Leggere attentamente il presente manuale prima dell'uso del dispositivo e conservarlo per ogni riferimento futuro.

- L'apparecchio può essere utilizzato da bambini di età superiore agli 8 anni e da persone con capacità mentali, fisiche o sensoriali ridotte oppure da persone prive di esperienza o conoscenza dell'apparecchio, purché siano sorvegliate o siano state istruite sull'utilizzo in sicurezza dell'apparecchio e comprendano i rischi che ne possono derivare. Non consentire ai bambini di giocare con l'apparecchio. Le operazioni di pulizia e manutenzione non devono essere effettuate da bambini, a meno che non siano sorvegliati.
- Questo apparecchio contiene batterie sostituibili solo da personale adeguatamente formato.
- L'apparecchio deve essere utilizzato esclusivamente con l'unità di alimentazione fornita con l'apparecchio.
- Questo aspirapolvere è progettato esclusivamente per l'uso domestico. Non utilizzarlo né installarlo all'aria aperta o in ambienti commerciali o industriali.
- Se l'apparecchio passa sopra il cavo di alimentazione potrebbe causare un pericolo.
- Prima di procedere alla pulizia o alla manutenzione dell'apparecchio, è necessario rimuovere la spina dalla presa della corrente.
- Per ridurre il rischio di incendio, esplosione o lesioni personali, verificare che l'alimentatore non sia danneggiato prima dell'uso. Non utilizzare l'aspirapolvere se l'alimentatore è danneggiato.
- Se il caricabatterie o la batteria vengono danneggiati, è necessario sostituirli con un componente originale acquistato dal produttore o tramite il servizio di assistenza post-vendita.
- Assicurarsi di spegnere l'aspirapolvere prima di pulire o sostituire la spazzola a rullo.
- La barra della spazzola elettrica, l'asta di prolunga e l'aspirapolvere conducono elettricità e non devono essere immersi in acqua o altri liquidi. Assicurarsi che il filtro, il pre-filtro e il post-filtro siano completamente asciutti dopo la pulizia.
- Per evitare lesioni, spegnere l'aspirapolvere e rimuovere la barra della spazzola elettrica prima di procedere alla pulizia e alla manutenzione. Non utilizzare l'aspirapolvere prima di aver installato correttamente la barra della spazzola elettrica, il coperchio del vano polvere, il filtro, il pre-filtro e il post-filtro.
- Esaminare periodicamente l'asta di prolunga e se danneggiata non usarla.
- Non usare l'aspirapolvere per raccogliere liquidi infiammabili o esplosivi come benzina, né altri liquidi come acqua o liquidi tossici come candeggina, ammoniaca e detersivi per la pulizia dello scarico.
- Non usare l'aspirapolvere per aspirare il toner usato nelle stampanti laser e nelle fotocopiattrici, perché il toner può causare incendi o esplosioni.
- Non utilizzare l'aspirapolvere per raccogliere residui di muro a secco, cenere, come quella del camino, o materiali incandescenti come carbone, mozziconi di sigaretta o fiammiferi.
- Non utilizzare l'aspirapolvere per raccogliere oggetti duri o taglienti, ad esempio vetro, chiodi, viti o monete, che potrebbero danneggiarlo.
- Non usare l'aspirapolvere per pulire macchie di sostanze oleose spesse, adesivi forti o coloranti, come lucido da scarpe, vernici e pigmenti.
- Assicurarsi di tenere capelli, indumenti larghi, dita e altre parti del corpo lontano dalle bocchette e dalle parti in movimento dell'aspirapolvere.
- Non puntare la bocchetta di aspirazione, l'asta di prolunga o altri accessori verso gli occhi o le orecchie, né metterli in bocca.
- Non inserire oggetti nelle bocchette dell'aspirapolvere, né utilizzare l'aspirapolvere con le bocchette ostruite. Rimuovere polvere, lanugine, capelli o altri elementi che potrebbero ridurre la potenza di aspirazione dell'aspirapolvere.
- Non appoggiare l'aspirapolvere su superfici instabili come sedie o tavoli per evitare danni o lesioni personali causati dalla sua caduta.
- Non ricaricare né riporre l'aspirapolvere vicino a fonti di calore o in zone umide (ad es. vicino a un termosifone o in cucina o in bagno).
- Non esporre l'apparecchiatura o la batteria a temperature eccessive.
- Prestare attenzione al rischio di corto circuito, causato da oggetti metallici, dei terminali dell'apparecchio a batteria o dei terminali della batteria.
- Usare solo parti di ricambio approvate da Xiaomi.
- In caso di perdite della batteria, evitare il contatto con il liquido e smaltire la batteria in una struttura di riciclaggio approvata dal governo. In caso di contatto con gli occhi, sciacquare abbondantemente con acqua e consultare immediatamente un medico.
- Prestare la massima attenzione quando si utilizza l'aspirapolvere per pulire scale.
- Avvertenza sul rischio di incendio: non applicare alcun tipo di profumo al pre-filtro e al post-filtro dell'aspirapolvere. In genere, questa tipologia di prodotti contiene sostanze chimiche infiammabili, che possono far prendere fuoco all'aspirapolvere.
- Seguire rigorosamente le istruzioni di questo manuale utente per caricare l'aspirapolvere a una temperatura ambiente compresa tra 0°C e 35°C. Una ricarica impropria può provocare danni alla batteria.
- Attenersi scrupolosamente alle istruzioni di questo manuale utente durante l'utilizzo dell'aspirapolvere. Gli utenti sono responsabili di eventuali perdite o danni derivanti dall'uso improprio dell'aspirapolvere.
- **AVVERTENZA:** utilizzare esclusivamente l'unità di alimentazione fornita con questo apparecchio.
- **AVVERTENZA:** per ricaricare la batteria, utilizzare esclusivamente l'unità di alimentazione staccabile fornita con l'apparecchio.
- Utilizzare soltanto con l'unità di alimentazione BLJ15WJ270050P-V o AD-D0752700050EU01.

Informazioni sulla conformità a normative e standard



Dichiarazione di conformità europea

Con la presente, Beijing Shunzao Technology Co., Ltd. dichiara che questo apparecchio è conforme alle direttive applicabili e alle norme europee, nonché ai relativi emendamenti. Il testo completo della dichiarazione di conformità UE è disponibile al seguente indirizzo Internet: <http://www.mi.com/global/service/support/declaration.html>



Informazioni sullo smaltimento e sul riciclaggio dei RAEE

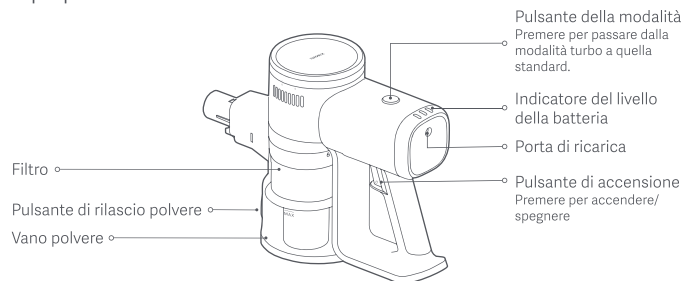
Tutti i prodotti contrassegnati da questo simbolo sono rifiuti di apparecchiature elettriche ed elettroniche (RAEE in base alla direttiva 2012/19/UE) che non devono essere smaltiti assieme a rifiuti domestici non differenziati.

Al contrario, è necessario proteggere l'ambiente e la salute umana consegnando i rifiuti a un punto di raccolta autorizzato al riciclaggio di rifiuti di apparecchiature elettriche ed elettroniche, predisposto dalla pubblica amministrazione o dalle autorità locali. Lo smaltimento e il riciclaggio corretti aiutano a prevenire conseguenze potenzialmente negative per l'ambiente e la salute umana. Contattare l'installatore o le autorità locali per ulteriori informazioni sulla sede e per i termini e le condizioni di tali punti di raccolta.

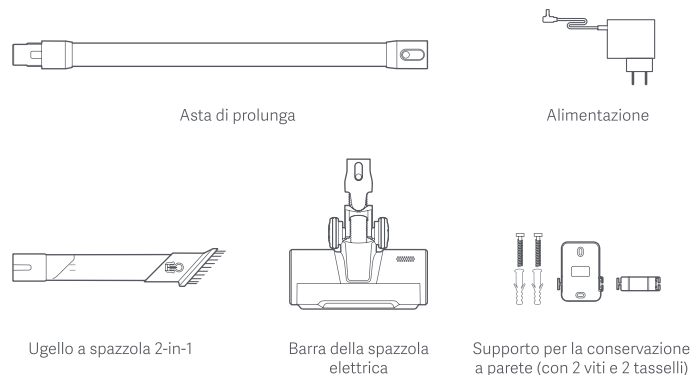


Panoramica del prodotto

Aspirapolvere



Elenco degli accessori



Nota: le illustrazioni del prodotto, degli accessori e dell'interfaccia utente nel manuale utente sono esclusivamente a scopo di riferimento. Il prodotto effettivo e le relative funzioni possono variare a causa dei miglioramenti apportati al prodotto stesso.

Come installare

Installazione degli accessori nell'aspirapolvere

- Collegare l'asta di prolunga all'aspirapolvere e alla barra della spazzola elettrica

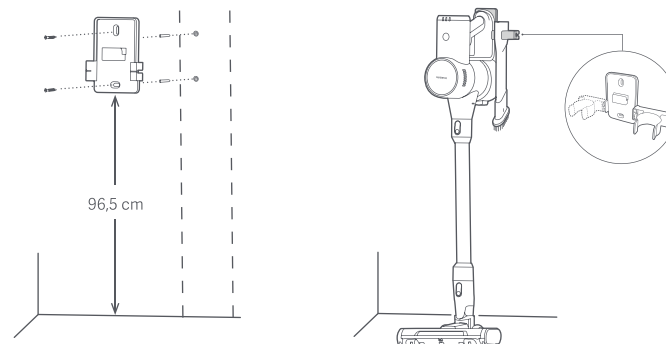


- Collegare l'ugello a spazzola 2-in-1 all'aspirapolvere



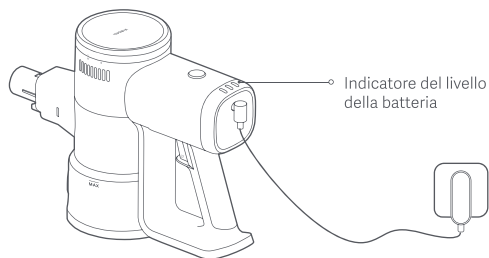
Installazione del supporto per la conservazione a parete

- Scegliere un luogo fresco e asciutto con una presa di corrente nelle vicinanze. Prima di installarlo, assicurarsi che non siano presenti fili o tubi nella parete di installazione direttamente dietro al supporto.
- La distanza tra la base del supporto per la conservazione a parete e il suolo è consigliata a 96,5 cm.
- Tenere il supporto per la conservazione a parete in posizione e fare dei segni sulla parete in base ai fori del supporto.
- Utilizzare un trapano elettrico con una punta da 8 mm per praticare un foro profondo circa 40 mm in corrispondenza di ciascuna posizione segnata, quindi inserire un tassello in ciascun foro.
- Allineare i fori di montaggio del supporto per la conservazione a parete con i fori della parete, quindi utilizzare le viti in dotazione per fissare il supporto alla parete.





Ricarica



Descrizione dello stato dell'indicatore del livello della batteria

● Spento ☀ Lampeggiante ○ Acceso

In funzione

○ ● ● Batteria scarica ○ ○ ○ Quasi carica
○ ○ ● Batteria a metà

Ricarica

☀ ● ● Batteria scarica ○ ○ ☀ Quasi carica
○ ☀ ● Batteria a metà ○ ○ ○ Carica completa

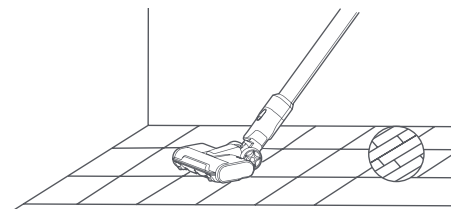
Note:

- Caricare completamente l'aspirapolvere prima di utilizzarlo per la prima volta. L'operazione richiederà circa 5 ore.
- Non è possibile utilizzare l'aspirapolvere durante il processo di ricarica.
- Quando l'aspirapolvere è completamente carico, l'indicatore si spegne dopo 20 secondi e viene attivata la modalità di risparmio energetico.
- L'aspirazione al massimo livello per un periodo prolungato causa il surriscaldamento della batteria, il che può aumentare il tempo di ricarica. Prima di ricaricare l'aspirapolvere, si consiglia di lasciarlo raffreddare per 30 minuti.

Modalità di utilizzo

Barra della spazzola elettrica

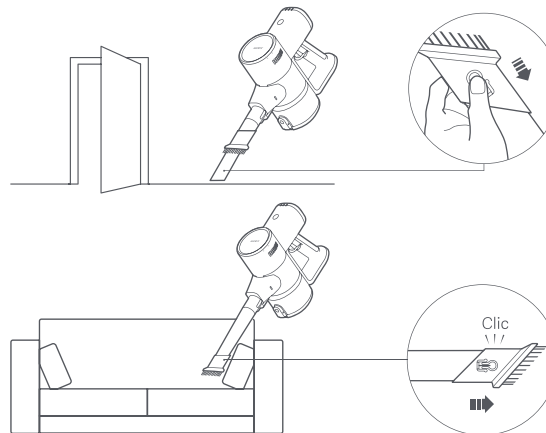
Per la pulizia di pavimenti in marmo, legno e moquette a pelo corto.



Ugello a spazzola 2-in-1

Adatto per la pulizia di luoghi con fessure, come tastiere, tende, divani, soffitti, angoli e interni di automobili.

Nota: per evitare potenziali rischi per la sicurezza, non esporre l'aspirapolvere alla luce diretta del sole e non conservarlo in ambienti con temperature elevate, come all'interno di un'automobile in estate.



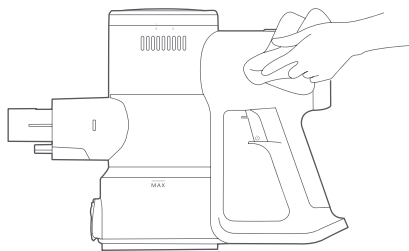
Cura e manutenzione

AVVISI:

- Prima di procedere alla cura e alla manutenzione, scollegare l'alimentazione e assicurarsi che l'aspirapolvere sia spento.
- Usare sempre componenti originali per assicurare il normale funzionamento dell'apparecchio e mantenerne valida la garanzia.
- Se il filtro, il pre-filtro, il post-filtro, l'asta di prolunga o l'ugello a spazzola 2-in-1 sono bloccati, l'aspirapolvere smette di funzionare. Prima di utilizzare nuovamente l'aspirapolvere, spegnerlo e pulire la parte ostruita.
- Se la barra della spazzola si blocca, questa smetterà di funzionare ma non l'aspirapolvere. Prima di riutilizzare l'aspirapolvere, spegnerlo e pulire la barra della spazzola.
- Prima di procedere con la pulizia, rimuovere la testina della spazzola dall'aspirapolvere per evitare di accendere accidentalmente l'aspirapolvere, che potrebbe causare lesioni.
- Se l'aspirapolvere non viene utilizzato per un periodo prolungato, ricaricarlo completamente, scollegarlo dalla presa di corrente, quindi riporlo in un ambiente fresco e non umido, lontano dalla luce diretta del sole.
- Per evitare di scaricare eccessivamente la batteria, ricaricare l'aspirapolvere almeno una volta ogni tre mesi.

Pulizia dell'aspirapolvere

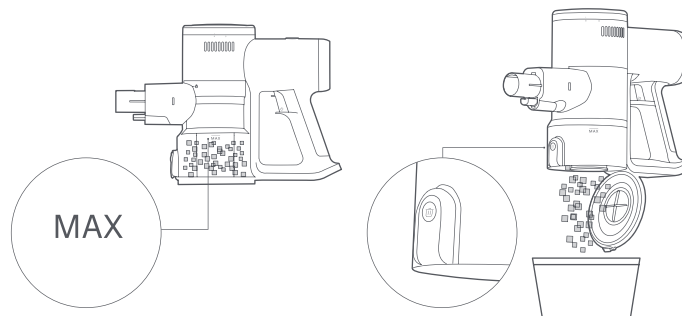
Pulire l'aspirapolvere con un panno morbido e asciutto.



Pulire il vano polvere

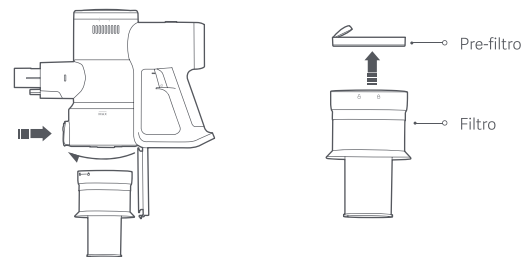
Prima di pulire il vano polvere scollegare l'alimentatore e rimuovere l'asta di prolunga. La capacità di pulizia dell'aspirapolvere si riduce se il vano polvere si riempie fino al segno "MAX". Per ripristinare le prestazioni, svuotare il vano polvere.

- Svuotare il vano polvere: tenere il vano polvere sopra un cestino, quindi premere il pulsante di rilascio della polvere per svuotarne il contenuto.



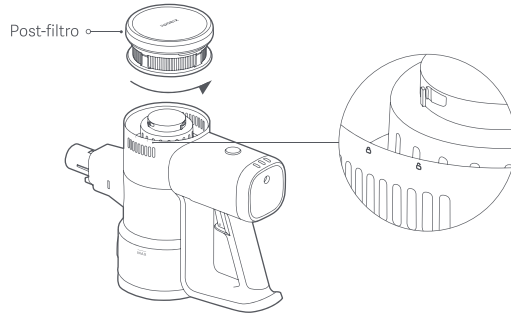
Pulizia del gruppo filtrante

1. Premere il pulsante di rilascio della polvere per aprire il vano polvere, ruotare il filtro come illustrato per rimuoverlo, quindi rimuovere il pre-filtro dal filtro.





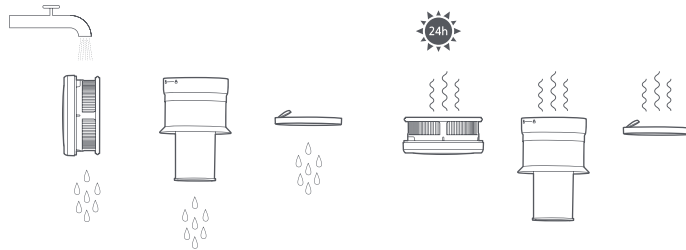
2. Per rimuovere il post-filtro, ruotarlo come illustrato.



3. Risciacquare il pre-filtro, il filtro e il post-filtro sotto acqua corrente fino a quando risultano puliti, poi lasciare tutte le parti ad asciugare completamente per almeno 24 ore.

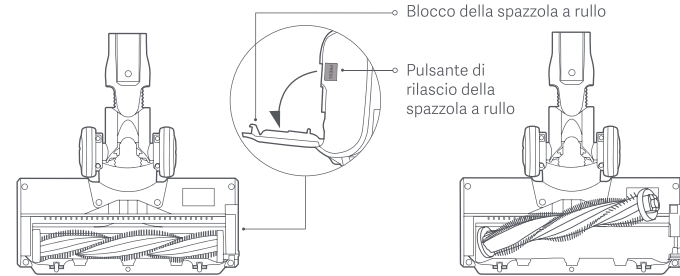
Note:

- Non immergere mai il filtro, il pre-filtro e il post-filtro.
- Quando si pulisce il post-filtro, sciacquarlo ripetutamente e battere leggermente il bordo per rimuovere polvere e detriti finché non è pulito.
- Non pulire il pre-filtro e il post-filtro con le mani, con una spazzola o con un oggetto appuntito per evitare di danneggiarli.
- Se la potenza di aspirazione è ancora notevolmente ridotta dopo la pulizia del pre-filtro e del post-filtro, si può provare ad acquistarli e sostituirli con quelli originali.



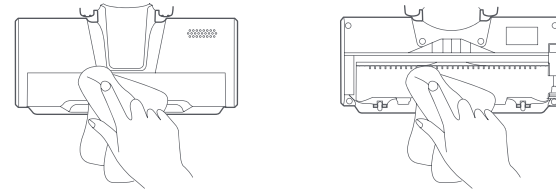
Pulizia della barra della spazzola elettrica

1. Posizionare la barra delle spazzole capovolta e premere il pulsante di rilascio della spazzola a rullo per sbloccarla e rimuoverla.

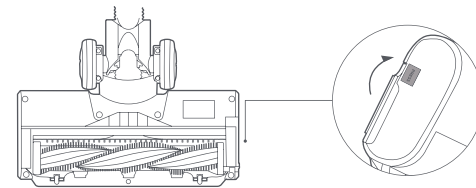


2. Utilizzare un panno asciutto o un tovagliolo di carta per eliminare polvere e detriti dall'apertura di aspirazione e dal coperchio trasparente.

Nota: non pulire la barra della spazzola elettrica con acqua perché ha un motore incorporato.



3. Reinstallare la spazzola a rullo e premere il blocco per bloccarla in posizione.



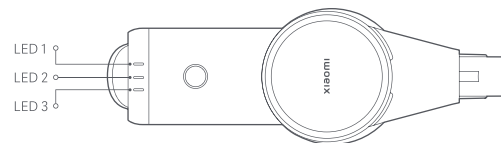
Problema comune

Problema comune	Possibile causa	Soluzione
L'aspirapolvere non funziona.	La batteria è esaurita.	Caricare l'aspirapolvere prima dell'utilizzo.
	L'apertura di aspirazione, il condotto dell'aria, il pre-filtro o il post-filtro sono ostruiti.	Controllare e pulire immediatamente.
	Il filtro, il pre-filtro o il post-filtro non sono installati correttamente.	Controllare e installare in posizione.
La potenza di aspirazione è diminuita.	È stata attivata la protezione contro le alte temperature della batteria.	Attendere che la temperatura della batteria torni alla normalità, quindi riprendere l'utilizzo.
	Il vano polvere è pieno, il pre-filtro o il post-filtro sono bloccati.	Controllare e pulire immediatamente.
La testina della spazzola è intasata.	La testina della spazzola è intasata.	Pulire la testina della spazzola.
	La batteria non è completamente carica.	Caricare l'aspirapolvere prima dell'utilizzo.
Durata della batteria bassa.	Il vano polvere è pieno, il pre-filtro o il post-filtro sono bloccati.	Controllare e pulire immediatamente.
	La testina della spazzola è intasata.	Pulire la testina della spazzola.
La spazzola a rullo non ruota.	La spazzola a rullo è impigliata in oggetti estranei.	Eliminare eventuali corpi estranei incastrati, quindi riprendere l'utilizzo.
	La protezione contro le alte temperature del motore della barra della spazzola è attivata.	Prima dell'uso, attendere che la temperatura del motore della barra della spazzola torni alla normalità.
	I contatti conduttivi sono sporchi.	Pulire i contatti con un panno morbido e asciutto e riprovare.
Impossibile ricaricare.	L'alimentatore utilizzato non è originale.	Per ricaricare l'aspirapolvere, utilizzare esclusivamente l'alimentatore originale.
La batteria si ricarica lentamente.	È stata attivata la protezione contro le alte temperature della batteria.	Attendere che la temperatura della batteria torni alla normalità, quindi riprendere l'utilizzo.

Nota: se i problemi di cui sopra non possono essere risolti, contattare il team di assistenza post-vendita.

Risoluzione dei problemi

Se l'aspirapolvere non funziona correttamente, l'indicatore del livello della batteria mostra un messaggio di errore. Per la risoluzione dei problemi, fare riferimento alla tabella seguente.



Messaggio di errore	Possibile causa	Soluzione
I LED 1, 2 e 3 lampeggiano tre volte contemporaneamente.	Errore di alimentazione	Per ricaricare l'aspirapolvere, utilizzare esclusivamente l'alimentatore originale.
	È stata attivata protezione contro le alte temperature della batteria.	Prima dell'uso, attendere che la temperatura del motore della barra della spazzola torni alla normalità.
	Errore cella batteria	Contattare il team del servizio post-vendita.
	Errore sensore di temperatura	
Errore del motore		
Il LED 1 lampeggia dieci volte.	Batteria esaurita	Per ricaricare l'aspirapolvere, utilizzare esclusivamente l'alimentatore originale.

Specifiche tecniche

Xiaomi Vacuum Cleaner G20 Lite			
Nome	Aspirapolvere senza filo	Modello	C203
Tensione nominale	22,2 V ~	Potenza nominale	215 W
Tensione di ricarica	270 V ~	Peso netto	2,4 kg
Barra della spazzola elettrica			
Modello	C203-DS	Tensione nominale	22,2 V ~
Potenza nominale	15 W		
Alimentazione			
Produttore	Zhongshan Baolijin Electronic Co., Ltd.		
Modello	BLJ15WJ270050P-V	Efficienza attiva media	85,9%
Ingresso nominale	100-240 V ~ 50/60 Hz 0,5 A	Efficienza a basso carico (10%)	73,2%
Uscita nominale	270 V ~ 0,5 A 13,5 W	Consumo di energia a vuoto	0,09 W
Produttore	Shenzhen AMC Technology Co., Ltd.		
Modello	AD-D0752700050EU01	Efficienza attiva media	84,5%
Ingresso nominale	100-240 V ~ 50/60 Hz 0,8 A	Efficienza a basso carico (10%)	75,5%
Uscita nominale	270 V ~ 0,5 A 13,5 W	Consumo di energia a vuoto	0,09 W

Nota: i modelli BLJ15WJ270050P-V e AD-D0752700050EU01 sono entrambi applicabili all'aspirapolvere e solo uno viene fornito con la confezione.

Comunicazione ambientale

Il pacco batteria agli ioni di litio ricaricabile di questo aspirapolvere contiene prodotti chimici che possono inquinare l'ambiente. Prima di smaltire questo aspirapolvere, rimuovere la batteria e smaltirla in una struttura di riciclaggio appropriata.

- La batteria deve essere rimossa dall'apparecchiatura prima di essere smaltita.
- L'apparecchiatura deve essere scollegata dalla rete elettrica quando si rimuove la batteria.
- La batteria deve essere smaltita in sicurezza.

AVVISI:

- Assicurarsi che l'aspirapolvere sia scollegato dall'alimentazione e che la batteria sia completamente scarica prima di rimuovere la batteria.
- Portare le batterie rimosse presso un centro di riciclaggio professionale per smaltirle correttamente.
- Non posizionare la batteria in ambienti caratterizzati da temperature elevate per evitare il rischio di esplosioni.
- In caso di fuoriuscita dalla batteria, evitare il contatto con il liquido. In caso di contatto con gli occhi, sciacquare abbondantemente con acqua e consultare immediatamente un medico.

Passaggi necessari per rimuovere la batteria:

1. Rimuovere i coperchi posteriori dell'aspirapolvere e dell'impugnatura e rimuovere il microinterruttore dall'impugnatura.
2. Utilizzare un cacciavite per rimuovere le viti dell'aspirapolvere, quindi scollegare i fili ed estrarre il pacco batteria.
3. Svitare le due viti sopra il circuito stampato del pacco batteria.
4. Rimuovere i coperchi superiore e inferiore della scheda di circuito e del pacco batteria ed estrarre le batterie.

Scatola	Neto	Neto	Manuale	Borsa
PAP 20	PAP 21	EPE7	PAP 22	LDPE4
Carta	Carta	Plastica	Carta	Plastica
RACCOLTA DIFFERENZIATA				
Verifica le disposizioni del tuo Comune. Separa le componenti e conferiscile in modo corretto.				



AVVISO SULLA GARANZIA

LA PRESENTE GARANZIA RICONOSCE AL CLIENTE DIRITTI LEGALI SPECIFICI E IL CLIENTE POTREBBE AVERE ALTRI DIRITTI PREVISTI DA LEGGI DEL PROPRIO PAESE, PROVINCIA O STATO. IN ALCUNI PAESI, PROVINCE O STATI, LA LEGGE PER LA TUTELA DEI CONSUMATORI PUÒ IMPORRE UN PERIODO MINIMO DI GARANZIA. ECCETTO NEI CASI CONSENTITI DALLA LEGGE, XIAOMI NON ESCLUDE, LIMITA O REVOCA ALTRI DIRITTI CHE L'UTENTE PUÒ AVERE. PER UNA COMPrensIONE COMPLETA DEI PROPRI DIRITTI, INVITIAMO GLI UTENTI A CONSULTARE LE LEGGI DEL PROPRIO PAESE, PROVINCIA O STATO.

1. GARANZIA LIMITATA DI PRODOTTO

XIAOMI garantisce che i Prodotti siano privi di difetti in fatto di materiali e manodopera in circostanze di utilizzo normali e in caso di utilizzo in conformità con il manuale utente del rispettivo Prodotto, durante il Periodo di Garanzia.

La durata e le condizioni relative alle garanzie legali sono stabilite dalle relative norme locali. Per ulteriori informazioni sui vantaggi della garanzia per i consumatori, fare riferimento al sito Web ufficiale di Xiaomi <https://www.mi.com/global/support/warranty>.

Xiaomi garantisce all'acquirente originale che il suo Prodotto Xiaomi sarà privo di difetti in fatto di materiali e manodopera in circostanze di utilizzo normali nel periodo sopra indicato.

Xiaomi non garantisce che il funzionamento del Prodotto sia ininterrotto o privo di errori.

Xiaomi non è responsabile per danni dovuti al mancato rispetto delle istruzioni relative all'utilizzo del Prodotto.

2. RIPARAZIONI

Nel caso in cui venga rilevato un difetto hardware e Xiaomi riceva un valido reclamo entro il Periodo di garanzia, Xiaomi (1) riparerà il Prodotto gratuitamente o (2) sostituirà il prodotto o (3) rimborserà il Prodotto, con l'esclusione di eventuali costi di spedizione.

3. COME OTTENERE IL SERVIZIO DI GARANZIA

Per ottenere l'assistenza in garanzia, è necessario consegnare il Prodotto, nella sua confezione originale o in una confezione simile che assicuri un grado equivalente di protezione del Prodotto, all'indirizzo indicato da Xiaomi. Ad eccezione della misura proibita dalla legge applicabile, Xiaomi può richiedere che l'utente presenti prove o prova di acquisto e / o soddisfi i requisiti di registrazione prima di ricevere il servizio di garanzia.

4. ESCLUSIONI E LIMITAZIONI

Se non precedentemente stipulato da Xiaomi, la presente Garanzia limitata si applica solo al Prodotto fabbricato da o per Xiaomi, che può essere identificato dai marchi, dal nome commerciale o dal logo "Xiaomi" o "Mi".

La Garanzia Limitata non si applica in caso di (a) Danni dovuti a cause naturali o di forza maggiore, ad esempio fulmini, tornado, allagamenti, incendi, terremoti o altre cause esterne; (b) negligenza; (c) uso commerciale; (d) alterazioni o modifiche a qualsiasi parte del Prodotto; (e) Danni causati dall'utilizzo con prodotti non Xiaomi; (f) Danni causati da incidenti, abuso o uso errato; (g) Danni causati dall'aver utilizzato il Prodotto per utilizzi diversi da quelli permessi o previsti come descritto da Xiaomi o con tensione o alimentazione inappropriati; oppure (h) Danni causati dal servizio (inclusi aggiornamenti ed espansioni) fornito da chiunque non sia un rappresentante di Xiaomi.

È responsabilità dell'utente effettuare il backup di qualsiasi tipo di dati, software o altri materiali che l'utente può aver archiviato o conservato nel prodotto. È possibile che i dati, il software o gli altri materiali nell'apparecchio vengano persi o riformattati durante il processo di servizio, Xiaomi non è responsabile per tali danni o perdite.

Nessun rivenditore, agente o dipendente Xiaomi è autorizzato a effettuare qualsiasi modifica, estensione o aggiunta a questa Garanzia Limitata. Se una disposizione è ritenuta illegale o non applicabile, la legalità o l'applicabilità delle disposizioni restanti non viene interessata o compromessa.

Salvo quanto vietato dalle leggi o altrimenti promesso da Xiaomi, i servizi post-vendita saranno limitati al paese o alla regione dell'acquisto originale.

I Prodotti che non sono stati debitamente importati e/o debitamente prodotti da Xiaomi e/o debitamente acquisiti da Xiaomi o da un rivenditore ufficiale di Xiaomi non sono coperti dalle presenti garanzie. Come da legislazione applicabile, l'utente può usufruire delle garanzie dal rivenditore non ufficiale che ha venduto il prodotto. Perciò Xiaomi invita l'utente a contattare il rivenditore da cui ha acquistato il prodotto.

Le presenti garanzie non si applicano a Hong Kong e Taiwan.

5. GARANZIE IMPLICITE

Ad eccezione della misura proibita dalla legge applicabile, tutte le garanzie implicite (incluse le garanzie di commerciabilità e idoneità per finalità particolari) avranno una durata limitata fino alla durata massima di questa garanzia limitata. Alcune giurisdizioni non consentono limitazioni sulla durata di una garanzia implicita, perciò la limitazione di cui sopra non verrà applicata in tali casi.

6. LIMITAZIONE DEL DANNO

Ad eccezione della misura proibita dalla legge applicabile, Xiaomi non sarà responsabile per qualsiasi danno causato da incidenti, indiretto, speciale o consequenziale, inclusi, a titolo esemplificativo





ma non esaustivo, la perdita di profitti, reddito o dati o danni risultanti da qualsiasi violazione di una garanzia o una condizione espressa o implicita, o in virtù di qualsiasi altra teoria legale, anche se Xiaomi è stata informata della possibilità di tali danni. Alcune giurisdizioni non consentono l'esclusione o la limitazione di danni speciali, indiretti o consequenziali, perciò la limitazione o esclusione di cui sopra potrebbe non applicarsi per l'utente.

7. CONTATTI XIAOMI

I clienti possono visitare il sito Web: <https://www.mi.com/global/support/warranty>

La persona di contatto per il servizio post-vendita può essere qualsiasi addetto della rete di assistenza autorizzata Xiaomi, un addetto dei distributori autorizzati Xiaomi o il venditore finale che ha venduto i prodotti al cliente. In caso di dubbi, contattare la persona indicata da Xiaomi.





Consignes relatives à la sécurité

Ce produit est réservé à un usage domestique. Lisez attentivement ce manuel avant toute utilisation et conservez-le pour pouvoir le consulter ultérieurement.

- Cet appareil peut être utilisé par des enfants d'au moins 8 ans, des personnes aux aptitudes physiques, sensorielles ou mentales réduites ou encore manquant d'expérience et de connaissances, à condition qu'ils soient surveillés ou sensibilisés à l'utilisation de manière sécurisée de l'appareil et qu'ils comprennent les risques impliqués. Les enfants ne doivent pas jouer avec l'appareil. Le nettoyage et l'entretien par l'utilisateur ne doivent pas être effectués par des enfants sans surveillance.
- Ce produit contient des batteries ne pouvant être remplacées que par des personnes compétentes.
- L'appareil ne doit être utilisé qu'avec le bloc d'alimentation fourni avec l'appareil.
- L'aspirateur est conçu pour usage en intérieur uniquement. Ne l'utilisez pas dans des environnements extérieurs, industriels ou commerciaux.
- Un risque peut survenir si l'appareil passe sur le cordon d'alimentation.
- La fiche doit être retirée de la prise de courant avant de nettoyer ou d'entretenir l'appareil.
- Pour réduire les risques d'incendie, d'explosion ou de blessures corporelles, vérifiez avant d'utiliser l'alimentation électrique pour vous assurer qu'elle n'est pas endommagée. N'utilisez pas l'aspirateur si l'adaptateur secteur est endommagé.
- Si le chargeur ou la batterie est endommagé(e), vous devez le/la remplacer par une pièce dédiée achetée auprès du fabricant ou de son service après-vente.
- Veillez à éteindre l'aspirateur avant de nettoyer ou de remplacer la brosse à rouleau.
- La barre à brosse électrique, la tige de rallonge et l'aspirateur sont conducteurs d'électricité et ne doivent pas être immergés dans l'eau ou tout autre liquide. Assurez-vous que le filtre, le préfiltre et le post-filtre sont entièrement secs après le nettoyage.
- Pour éviter les blessures corporelles, éteignez l'aspirateur et retirez la barre à brosse électrique avant le nettoyage et l'entretien. N'utilisez pas l'aspirateur avant d'installer la barre à brosse électrique, le couvercle du compartiment à poussière, le filtre, le préfiltre et le post-filtre correctement.
- Examinez périodiquement la tige de rallonge et ne l'utilisez pas si elle est endommagée.
- Ne laissez pas l'aspirateur aspirer des liquides inflammables ou explosifs comme de l'essence ou d'autres liquides tels que l'eau ou les liquides toxiques comme de l'eau de Javel, de l'ammoniac et du nettoyant pour canalisation.
- N'utilisez pas l'aspirateur pour nettoyer les toners utilisés dans les imprimantes laser et les copieurs, car il peut provoquer un incendie ou une explosion.
- N'utilisez pas l'aspirateur pour aspirer des particules de plâtre, des cendres, des matériaux de combustion ou des substances fumigènes comme du charbon, des mégots de cigarette ou des allumettes.
- N'utilisez pas l'aspirateur pour aspirer des objets durs ou pointus comme du verre, des clous, des vis ou des pièces de monnaie, sous peine d'endommager le produit.
- N'utilisez pas l'aspirateur pour nettoyer des taches de substances grasses et épaisses, de colle forte ou de colorants, comme le cirage, les peintures et les pigments.
- Gardez les cheveux, les vêtements amples, les doigts ou toute autre partie du corps à l'écart des ouvertures et des pièces mobiles de l'aspirateur.
- Ne pointez pas l'ouverture du suceur, la tige de rallonge et d'autres accessoires vers vos yeux ou vos oreilles et ne les mettez pas non plus dans votre bouche.
- Ne placez aucun objet dans les orifices de l'aspirateur. N'utilisez pas l'aspirateur en cas d'obstruction d'un des orifices. Retirez la poussière, les peluches, les cheveux ou tout autre élément susceptible de réduire la puissance d'aspiration de l'aspirateur.
- Ne placez pas l'aspirateur sur des surfaces instables telles que les chaises ou les tables afin de prévenir des dommages ou des blessures corporelles du fait de sa chute.
- Ne chargez pas ou ne stockez pas l'aspirateur à proximité de sources de chaleur ou dans des endroits humides, comme près d'un radiateur, dans une cuisine ou une salle de bains.
- N'exposez pas l'appareil ou la batterie à des températures excessives.
- Faites attention au risque de court-circuit des bornes de l'appareil fonctionnant sur batterie ou de la batterie par des objets métalliques.
- Utilisez uniquement des pièces de rechange agréées par Xiaomi.
- Si la batterie fuit, ne touchez pas le liquide qui s'en échappe et jetez-la dans un centre de recyclage agréé par le gouvernement. En cas de contact avec les yeux, rincez abondamment à l'eau et consultez immédiatement un médecin.
- Soyez très vigilant lorsque vous utilisez l'aspirateur pour nettoyer un escalier.
- Avertissement de risque d'incendie : n'appliquez aucun type de parfum au préfiltre et au post-filtre de l'aspirateur. Ces types de produits contiennent des substances inflammables pouvant mettre le feu à l'aspirateur.
- Suivez strictement les instructions de ce manuel d'utilisation pour charger l'aspirateur à une température ambiante comprise entre 0 °C à 35 °C. Une charge incorrecte peut endommager la batterie.
- Suivez strictement les instructions figurant dans ce manuel d'utilisation lorsque vous utilisez l'aspirateur. Les utilisateurs sont responsables de toute perte ou de tout dommage résultant d'une utilisation incorrecte de l'aspirateur.
- **AVERTISSEMENT:** Utilisez uniquement le bloc d'alimentation fourni avec cet appareil.
- **AVERTISSEMENT:** Pour les besoins de recharge de la batterie, utilisez uniquement le bloc d'alimentation amovible fourni avec cet appareil.
- Utilisez uniquement un bloc d'alimentation BLJ15WJ270050P-V ou AD-D0752700050EU01.

Informations sur la conformité et les réglementations



Déclaration de conformité pour l'Union européenne

Par la présente, nous, Beijing Shunzao Technology Co., Ltd., déclarons que cet équipement est conforme aux directives et normes européennes applicables, ainsi qu'à leurs amendements. L'intégralité de la déclaration de conformité pour l'UE est disponible à l'adresse suivante : <http://www.mi.com/global/service/support/declaration.html>



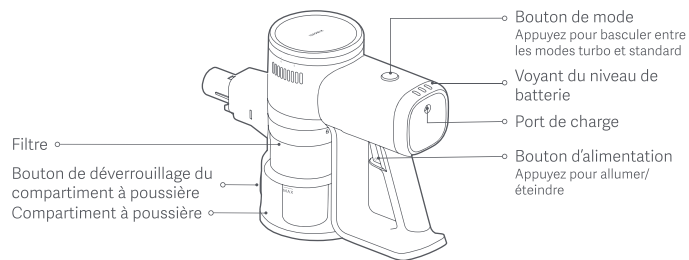
Informations sur la réglementation DEEE sur la mise au rebut et le recyclage

Tous les produits portant ce symbole deviennent des déchets d'équipements électriques et électroniques (DEEE) dans la Directive européenne 2012/19/UE) qui ne doivent pas être mélangés aux déchets ménagers non triés. Vous devez contribuer à la protection de l'environnement et de la santé humaine en apportant l'équipement usagé à un point de collecte dédié au recyclage des équipements électriques et électroniques, agréé par le gouvernement ou les autorités locales. Le recyclage et la destruction appropriés permettront d'éviter tout impact potentiellement négatif sur l'environnement et la santé humaine. Contactez l'installateur ou les autorités locales pour obtenir plus d'informations concernant l'emplacement ainsi que les conditions d'utilisation de ce type de point de collecte.

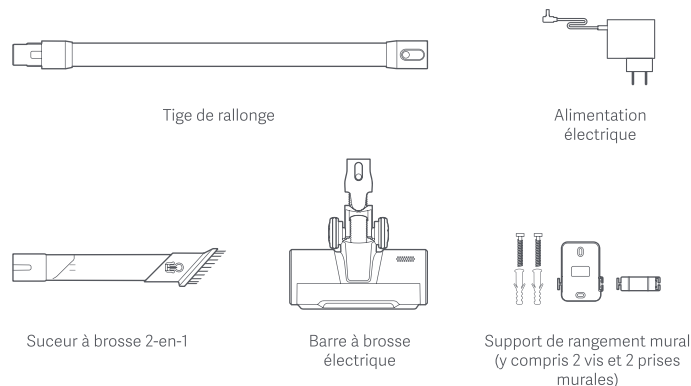


Présentation du produit

Aspirateur



Liste d'accessoires

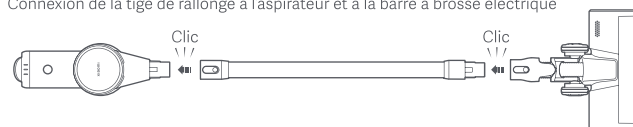


Remarque : Les illustrations du produit, les accessoires et l'interface utilisateur présents dans le manuel d'utilisation sont uniquement fournis à titre indicatif. Le produit actuel et les fonctions effectives peuvent varier en raison des améliorations apportées au produit.

Installation

Installation des accessoires sur l'aspirateur

- Connexion de la tige de rallonge à l'aspirateur et à la barre à brosse électrique

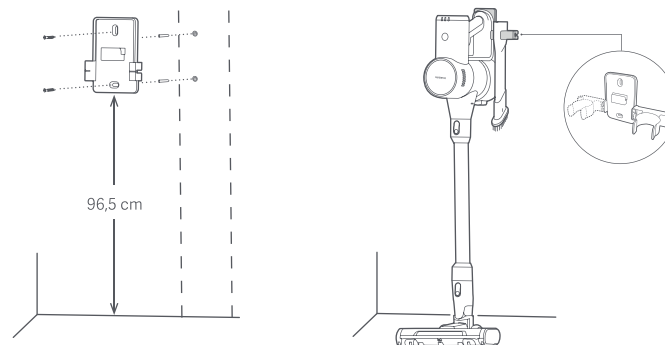


- Connexion du suceur à brosse 2-en-1 à l'aspirateur



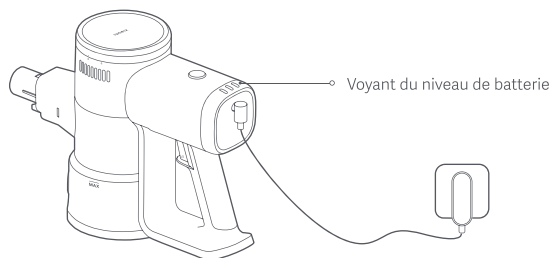
Installation du support de rangement mural

- Choisissez un endroit frais et sec pourvu d'une prise électrique à côté. Avant l'installation, veillez à ce qu'il n'y ait pas de fil électrique ou de tuyauterie sur le mur directement derrière où sera installé le support.
- La distance recommandée entre le fond du support de rangement mural et le sol est de 96,5 cm.
- Tenez en position le support de rangement mural et faites des marques sur le mur en fonction des trous sur le support.
- À l'aide d'une perceuse électrique et un foret de 8 mm, percez des trous d'environ 40 mm de profondeur à chaque repère et insérez des prises murales dans chaque trou.
- Alignez les trous de montage sur le support de rangement mural avec les trous sur le mur, puis utilisez les vis incluses pour fixer le support au mur.





Charge en cours



Voyant du niveau de batterie

Description de l'état du voyant du niveau de batterie

- À l'arrêt ☀ Clignotant ○ Activé

En fonctionnement

- ● ● Batterie faible ○ ○ ○ Batterie presque pleine
○ ○ ● Batterie à moitié vide

Charge en cours

- ☀ ● ● Batterie faible ○ ○ ☀ Batterie presque pleine
○ ☀ ● Batterie à moitié vide ○ ○ ○ Entièrement chargée

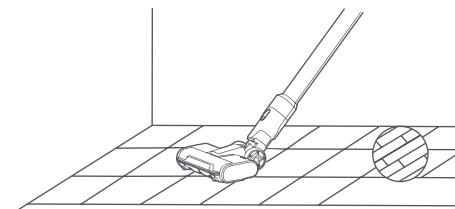
Remarques :

- Chargez entièrement la batterie de l'aspirateur avant la première utilisation. Cette opération dure environ 5 heures.
- L'aspirateur ne peut pas être utilisé pendant la charge.
- Une fois l'aspirateur entièrement chargé, le voyant s'éteint au bout de 20 secondes et l'aspirateur passe en mode économie d'énergie.
- Le fonctionnement de l'appareil au plus haut niveau d'aspiration pendant une période prolongée peut entraîner la surchauffe de la batterie, ce qui est susceptible d'augmenter le temps de charge. Avant de recharger l'aspirateur, il est préférable de le laisser refroidir pendant 30 minutes.

Utilisation

Barre à brosse électrique

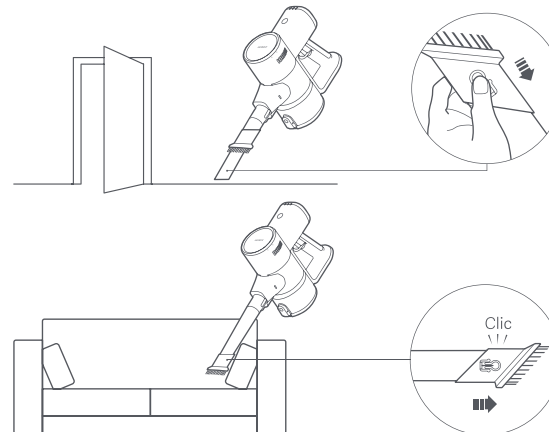
Pour nettoyer les sols en marbre, le parquet et la moquette à poils ras.



Suceur à brosse 2-en-1

Convenable pour nettoyer des endroits avec fissures, tels que les claviers, les rideaux, les canapés les plafonds, les coins et les intérieurs de voiture.

Remarque : Pour éviter des risques de sécurité potentiels, n'exposez pas l'aspirateur à la lumière directe du soleil, ne le rangez pas dans des environnements ayant des températures élevées tel que l'intérieur d'une voiture en été.



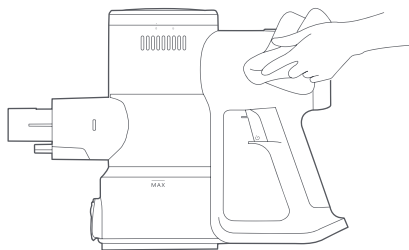
Entretien et maintenance

PRÉCAUTIONS :

- Avant l'entretien et la maintenance, débranchez l'alimentation électrique et veillez à éteindre l'aspirateur.
- Utilisez toujours des pièces d'origine pour assurer le bon fonctionnement de l'aspirateur et ne pas annuler la garantie.
- Si le filtre, le préfiltre, le post-filtre, la tige de rallonge ou le suceur à brosse 2-en-1 est bloqué, l'aspirateur cessera de fonctionner. Avant d'utiliser l'aspirateur à nouveau, éteignez-le et nettoyez la partie bloquée.
- Si la barre à brosse est bloquée, elle cessera de fonctionner mais l'aspirateur lui-même ne cessera pas. Avant d'utiliser l'aspirateur à nouveau, éteignez-le et nettoyez la barre à brosse.
- Avant le nettoyage, retirez l'embout brosse de l'aspirateur pour éviter toute blessure si l'aspirateur venait à s'allumer de manière accidentelle.
- Si vous ne prévoyez pas d'utiliser l'aspirateur pendant une période prolongée, chargez-le entièrement, débranchez-le, puis entreposez-le dans un endroit frais, à l'abri de l'humidité et de la lumière directe du soleil.
- Afin d'éviter une décharge excessive de la batterie, rechargez l'aspirateur au moins une fois tous les trois mois.

Nettoyage de l'aspirateur

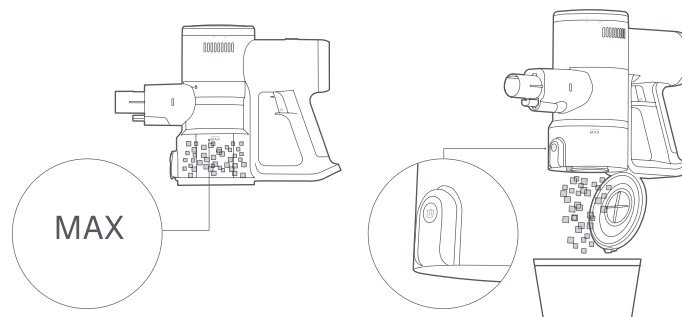
Essuyez l'aspirateur avec un chiffon doux et sec.



Nettoyage du compartiment à poussière

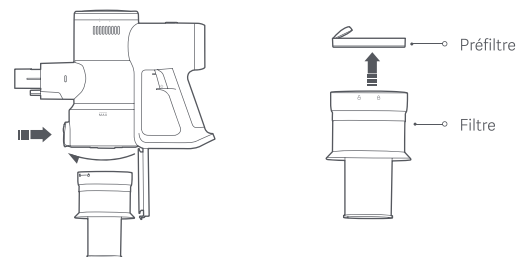
Avant de nettoyer le compartiment à poussière, débranchez l'alimentation électrique et retirez la tige de rallonge. La capacité de nettoyage de l'aspirateur diminuera si le compartiment à poussière est rempli jusqu'au niveau « MAX ». Videz le compartiment à poussière pour améliorer les performances.

- Vidange du compartiment à poussière : Tenez le compartiment à poussière au-dessus d'une poubelle et appuyez sur le bouton de déverrouillage du compartiment à poussière pour le vider.



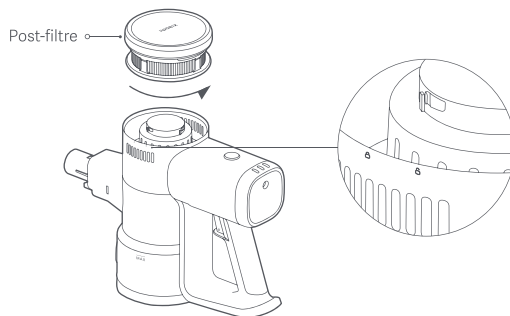
Nettoyage de l'ensemble de filtre

1. Appuyez le bouton de déverrouillage du compartiment à poussière pour ouvrir le compartiment à poussière, tournez le filtre suivant l'illustration pour le retirer, puis retirez le préfiltre du filtre.





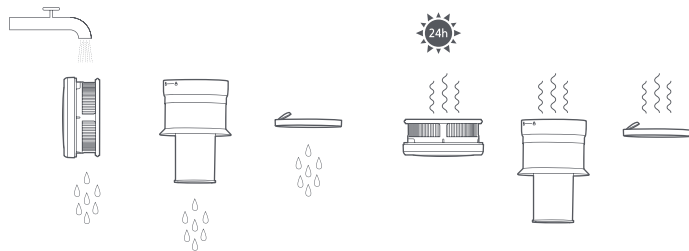
2. Tournez le post-filtre suivant l'illustration pour le retirer.



3. Rincez le filtre, le préfiltre, et le post-filtre sous de l'eau courante claire jusqu'à ce qu'ils soient propres, puis mettez-les de côté pour les laisser sécher entièrement pendant au moins 24 heures.

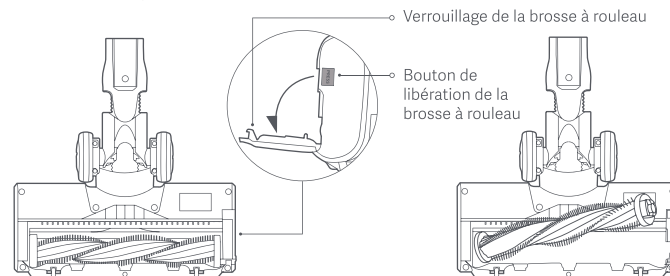
Remarques :

- Ne trempez jamais le filtre, le préfiltre, et le post-filtre.
- Lors du nettoyage du post-filtre, rincez-le de manière répétitive et tapez ses bords légèrement pour retirer la poussière et les débris jusqu'à ce qu'il soit propre.
- Ne nettoyez pas le préfiltre et le post-filtre avec les mains, une brosse ou un objet tranchant pour éviter des dommages.
- Si la puissance d'aspiration reste réduite de manière significative après le nettoyage du préfiltre et du post-filtre, vous pouvez essayer d'acheter des pièces d'origine pour les remplacer.



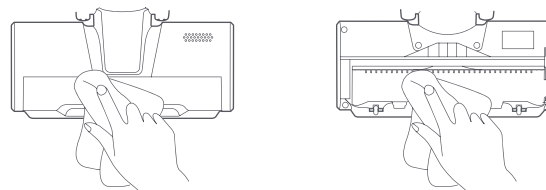
Nettoyage de la barre à brosse électrique

1. Placez la barre à brosse électrique à l'envers et appuyez sur le bouton de libération de la brosse à rouleau pour déverrouiller la brosse à rouleau et la retirer.

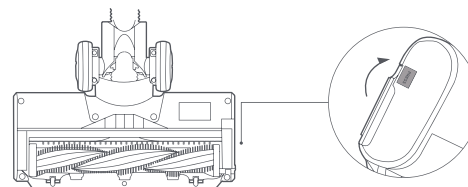


2. Utilisez un tissu sec ou un essuie-tout pour nettoyer la poussière et les débris l'ouverture d'aspiration et le couvercle transparent.

Remarque : Ne nettoyez pas la barre à brosse électrique avec de l'eau puisqu'elle dispose d'un moteur intégré.



3. Réinstallez la brosse à rouleau, puis appuyez le verrou pour la verrouiller en position.



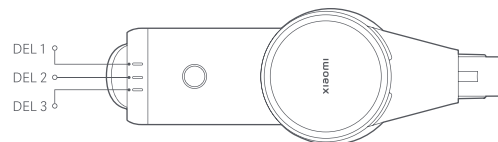
Problèmes fréquents

Problèmes fréquents	Cause possible	Solution
L'aspirateur ne fonctionne pas.	La batterie est épuisée.	Chargez l'aspirateur avant de l'utiliser.
	L'ouverture d'aspiration, le conduit d'air, le préfiltre ou le post-filtre est bloqué.	Vérifiez et nettoyez immédiatement.
	Le filtre, le préfiltre ou le post-filtre n'est pas installé en position.	Vérifiez et installez en position.
La puissance d'aspiration est affaiblie.	La protection contre la température de la batterie s'est déclenchée.	Attendez que la température de la batterie revienne à un niveau normal, puis poursuivez l'utilisation.
	Le compartiment à poussière est plein, ou le préfiltre ou le post-filtre est bloqué.	Vérifiez et nettoyez immédiatement.
Faible niveau de la batterie.	L'embout brosse est encrassé.	Nettoyez la tête de brosse.
	La batterie n'est pas entièrement chargée.	Chargez l'aspirateur avant de l'utiliser.
	Le compartiment à poussière est plein, ou le préfiltre ou le post-filtre est bloqué.	Vérifiez et nettoyez immédiatement.
La brosse à rouleau ne tourne pas.	L'embout brosse est encrassé.	Nettoyez la tête de brosse.
	La brosse à rouleau est coincée par des corps étrangers.	Retirez tout corps étranger, puis poursuivez l'utilisation.
	La protection contre la température élevée du moteur de la barre à brosse s'est déclenchée.	Attendez que la température du moteur de la barre à brosse revienne à un niveau normal avant d'utiliser.
	Les contacts conducteurs sont sales.	Nettoyez les contacts à l'aide d'un tissu doux et sec et réessayez.
Charge impossible.	L'alimentation électrique utilisée n'est pas celle d'origine.	N'utilisez que l'alimentation électrique d'origine pour charger l'aspirateur.
La batterie charge lentement.	La protection contre la température de la batterie s'est déclenchée.	Attendez que la température de la batterie revienne à un niveau normal, puis poursuivez l'utilisation.

Remarque : Si les solutions susmentionnées ne parviennent pas à résoudre les problèmes, veuillez contacter l'équipe du service après-vente.

Dépannage

Si l'aspirateur ne fonctionne pas correctement, le voyant du niveau de batterie affichera un message d'erreur. Consultez le tableau ci-dessous pour le dépannage.



Message d'erreur	Cause possible	Solution
DEL 1, DEL 2 et DEL 3 clignotent trois fois de manière simultanée.	Erreur d'alimentation électrique	N'utilisez que l'alimentation électrique d'origine pour charger l'aspirateur.
	La protection contre la température de la batterie s'est déclenchée.	Attendez que la température du moteur de la barre à brosse revienne à un niveau normal avant d'utiliser.
	Erreur de cellule de la batterie	Contactez l'équipe du service après-vente
	Erreur du capteur de température	
	Erreur de moteur	
DEL 1 clignote dix fois.	Batterie épuisée	N'utilisez que l'alimentation électrique d'origine pour charger l'aspirateur.

Caractéristiques

Xiaomi Vacuum Cleaner G20 Lite			
Nom	Aspirateur sans fil	Modèle	C203
Tension nominale	22,2 V $\overline{\text{---}}$	Puissance nominale	215 W
Tension de charge	27,0 V $\overline{\text{---}}$	Poids net	2,4 kg
Barre à brosse électrique			
Modèle	C203-DS	Tension nominale	22,2 V $\overline{\text{---}}$
Puissance nominale	15 W		
Alimentation électrique			
Fabricant	Zhongshan Baolijin Electronic Co., Ltd.		
Modèle	BLJ15WJ270050P-V	Efficacité moyenne active	85,9 %
Entrée nominale	100-240 V ~ 50/60 Hz 0,5 A	Efficacité à faible charge (10 %)	73,2 %
Sortie nominale	27,0 V $\overline{\text{---}}$ 0,5 A 13,5 W	Consommation électrique sans charge	0,09 W
Fabricant	Shenzhen AMC Technology Co., Ltd.		
Modèle	AD-D0752700050EU01	Efficacité moyenne active	84,5 %
Entrée nominale	100-240 V ~ 50/60 Hz 0,8 A	Efficacité à faible charge (10 %)	75,5 %
Sortie nominale	27,0 V $\overline{\text{---}}$ 0,5 A 13,5 W	Consommation électrique sans charge	0,09 W

Remarque : Les modèles BLJ15WJ270050P-V et AD-D0752700050EU01 sont tous les deux applicables pour l'aspirateur et un seul vient avec le paquet.

Avis environnemental

Le bloc-batterie au lithium-ion rechargeable de cet aspirateur contient des substances chimiques qui peuvent polluer l'environnement. Avant de jeter cet aspirateur, retirez les batteries, puis déposez-les dans une installation de recyclage approprié.

- La batterie doit être retirée de l'appareil avant d'être éliminée.
- L'appareil doit être déconnecté de toute alimentation électrique avant le retrait de la batterie.
- La batterie doit être mise au rebut de manière sûre.

PRÉCAUTIONS :

- Assurez-vous que l'aspirateur est déconnecté de l'alimentation et que les batteries sont complètement épuisées avant de les retirer.
- Déposez les batteries retirées auprès d'un centre de recyclage professionnel pour être correctement mises au rebut.
- Ne laissez pas les batteries dans des environnements où la température est élevée, sinon elles peuvent exploser.
- En cas de fuite de la batterie, évitez tout contact avec le liquide. Si le liquide entre en contact avec vos yeux, rincez-les abondamment à l'eau et consultez immédiatement un médecin.

Étapes à suivre pour retirer la batterie :

1. Retirez les couvercles arrière de l'aspirateur et le manche, et retirez le mini commutateur du manche.
2. Utilisez un tournevis pour retirer les vis de l'aspirateur, puis débranchez les câbles et sortez l'assemblage du bloc-batterie.
3. Dévissez les deux vis au-dessus de la carte du circuit imprimé de l'assemblage du bloc-batterie.
4. Retirez les couvercles supérieur et inférieur sur la carte du circuit imprimé et le bloc-batterie, et sortez les batteries.



GARANTIE

CETTE GARANTIE VOUS DONNE DES DROITS SPÉCIFIQUES ET IL EST POSSIBLE DE PROFITER D'AUTRES DROITS OCTROYÉS PAR LES LOIS APPLICABLES DANS VOTRE PAYS, VOTRE RÉGION OU VOTRE DÉPARTEMENT. EN EFFET, DANS CERTAINS PAYS, PROVINCES OU DÉPARTEMENTS, LES DROITS DU CONSOMMATEUR PEUVENT IMPOSER UNE PÉRIODE DE GARANTIE MINIMALE. AUTRES QUE LES LIMITES PERMISES PAR LA LOI, XIAOMI N'EXCLUT PAS, LIMITE NI SUSPEND D'AUTRES DROITS QUE VOUS POUVEZ DÉTENIR. POUR COMPRENDRE PLEINEMENT VOS DROITS, CONSULTEZ LES LOIS APPLICABLES DANS VOTRE PAYS, PROVINCE OU DÉPARTEMENT.

1. GARANTIE LIMITÉE DE PRODUIT

XIAOMI garantit que les Produits sont exempts de tout défaut matériel ou de conception dans le cadre d'une utilisation normale en accord avec le mode d'emploi dudit Produit et dans la Durée de garantie. La durée et les conditions relatives aux garanties légales sont prévues par les lois locales afférentes. Pour plus d'informations sur les avantages de la garantie du consommateur, veuillez consulter le site web officiel de Xiaomi <https://www.mi.com/global/support/warranty>.

Xiaomi garantit à l'acheteur d'origine que le produit Xiaomi est exempt de tout défaut matériel ou de conception dans le cadre d'une utilisation normale dans la période mentionnée ci-dessus.

Xiaomi ne garantit pas que le fonctionnement du Produit restera ininterrompu et exempt d'erreur.

Xiaomi n'est pas responsable des dommages découlant d'une non-conformité aux instructions liées à l'utilisation du produit.

2. SOLUTIONS

Si un défaut matériel est rencontré et une réclamation fondée est reçue par Xiaomi pendant la période de garantie, Xiaomi va soit (1) réparer le produit gratuitement, (2) échanger le produit, ou (3) rembourser le produit, frais d'expédition exclus.

3. COMMENT PROFITER D'UN SERVICE DE GARANTIE

Pour bénéficier du service de garantie, vous devez fournir le Produit à l'adresse spécifiée par Xiaomi, dans son emballage d'origine ou dans un emballage similaire garantissant le même degré de protection. Sauf mesures prohibées par la loi applicable, Xiaomi peut vous demander de présenter des preuves d'achat et/ou de vous conformer aux exigences d'inscription avant de profiter du service de garantie.

4. EXCLUSIONS ET LIMITATIONS

Sauf stipulation contraire mentionnée par Xiaomi, la présente Garantie limitée s'applique uniquement au Produit fabriqué par ou pour Xiaomi et identifiable par les marques commerciales, le nom commercial ou le logo « Xiaomi » ou « Mi ».

La Garantie limitée ne s'applique pas (a) aux dégâts dus aux catastrophes naturelles, comme la foudre, les tornades, les inondations, les incendies, les tremblements de terre ou autres causes externes (b) aux négligences, (c) à l'utilisation commerciale, (d) aux modifications de tout ou partie du Produit, (e) aux dommages provoqués par une utilisation avec des Produits non-Xiaomi, (f) aux dommages provoqués par un accident, un abus, une mauvaise utilisation (g) aux dommages provoqués par l'utilisation du Produit hors des utilisations autorisées ou prévues décrites par Xiaomi ou avec une tension ou une alimentation électrique inappropriée, ou (h) aux dommages provoqués par une maintenance (mises à niveau ou extensions comprises) réalisée par une personne non représentative de Xiaomi. Il en va de votre responsabilité de sauvegarder les données, le logiciel ou tout autre matériel que vous pourriez avoir stocké ou préservé sur le Produit. Il est probable que les données, le logiciel ou d'autres matériels de l'équipement soient perdus ou formatés lors d'une maintenance. Xiaomi n'est pas responsable de ce type de dommages ou de pertes.

Aucun revendeur, agent ou employé de Xiaomi n'est autorisé à apporter des modifications, des extensions ou des ajouts à la présente Garantie limitée. Si une disposition est jugée illégale ou inapplicable, la légitimité et l'applicabilité des dispositions restantes ne sauraient être affectées ou impactées.

Sauf mesures prohibées par la loi ou promesse contraire par Xiaomi, les services après-ventes sont limités au pays ou à la région de l'achat initial.

Les produits qui n'ont pas été dûment importés et/ou n'ont pas été dûment fabriqués par Xiaomi et/ou n'ont pas été dûment obtenus chez Xiaomi ou un vendeur officiel de Xiaomi ne sont pas couverts par les présentes garanties. Conformément à la loi applicable, vous pouvez bénéficier des garanties depuis le détaillant non officiel qui vous a vendu le produit. Pour cela, Xiaomi vous invite à contacter le détaillant auprès duquel vous avez acheté le produit.

Les présentes garanties ne s'appliquent pas à Hong Kong et à Taiwan.

5. GARANTIES IMPLICITES

Sauf mesures prohibées par la loi applicable, toutes les garanties implicites (notamment les garanties de commercialisation et de conformité pour un but spécifique) disposeront d'une durée de garantie limitée allant jusqu'à la durée maximale de la présente garantie limitée. Certaines juridictions n'autorisent pas les limitations de durée d'une garantie implicite. La limitation ci-dessus ne s'applique donc pas à de tels cas.

6. LIMITATION DES DOMMAGES

Sauf mesures prohibées par la loi applicable, Xiaomi ne devrait être tenue pour responsable pour tous dommages provoqués par des accidents, indirects, spécifiques ou conséquents, notamment les pertes de bénéfices, de chiffre d'affaires ou de données, résultant de toute brèche dans une garantie ou condition expresse ou implicite, ou sous toute théorie légale, même si Xiaomi a été informée de



la possibilité de tels dommages. Certaines juridictions n'autorisent pas l'exclusion ou la limitation des dommages indirects, spécifiques ou conséquents. La limitation ci-dessus ne s'applique donc pas à vous.

7. CONTACTS XIAOMI

Pour les clients, consultez le site Web : <https://www.mi.com/global/support/warranty>

La personne à contacter pour le service après-vente peut être n'importe quelle personne de service agréé Xiaomi, les distributeurs agréés Xiaomi ou le vendeur final qui vous a vendu le produit. En cas de doute, veuillez contacter la personne concernée que Xiaomi peut identifier.





Sicherheitshinweise

Dieses Produkt ist nur für den Betrieb im Haushalt gedacht. Lesen Sie diese Bedienungsanleitung vor der Verwendung sorgfältig durch und bewahren Sie sie auf, um zukünftig die Informationen nachlesen zu können.

- Dieses Gerät ist für Kinder ab einem Alter von 8 Jahren und Personen geeignet, die körperlich, sensorisch oder geistig behindert sind oder nicht über ausreichend Erfahrung oder Kenntnisse verfügen, wenn sie eine Beaufsichtigung oder Anweisung zur sicheren Nutzung des Geräts erhalten haben und wissen, welche Gefahren auftreten können. Kinder dürfen nicht mit dem Gerät spielen. Die Reinigung und Benutzerwartung dürfen nicht von Kindern ohne Aufsicht durchgeführt werden.
- Dieses Gerät enthält Akkus, die nur von Fachpersonal ausgewechselt werden dürfen.
- Das Gerät darf nur mit dem zum Gerät mitgelieferten Netzteil verwendet werden.
- Dieser Staubsauger ist nur für den Innenbereich geeignet. Er darf nicht im Freien, in kommerziellen oder in industriellen Umgebungen verwendet oder installiert werden.
- Es können Gefahren entstehen, wenn das Gerät über das Stromkabel fährt.
- Vor der Reinigung oder Wartung des Geräts muss der Stecker aus der Steckdose gezogen werden.
- Vergewissern Sie sich vor dem Gebrauch, dass das Netzteil unbeschädigt ist, um die Gefahr von Bränden, Explosionen oder Verletzungen zu verringern. Der Staubsauger darf nicht verwendet werden, wenn das Netzteil beschädigt ist.
- Wenn das Ladegerät oder der Akku beschädigt sein sollte, müssen diese durch Original-Ersatzteile ersetzt werden, die vom Hersteller oder der Kundendienstabteilung erworben wurden.
- Stellen Sie sicher, dass Sie den Staubsauger vor dem Reinigen oder Ersetzen der Bürstenwalze ausschalten.
- Die elektrische Bürstenwalze, die Verlängerungsstange und der Staubsauger sind elektrisch leitfähig und sollten nicht in Wasser oder andere Flüssigkeiten getaucht werden. Stellen Sie sicher, dass der Filter, der Vorfilter und der Nachfilter nach der Reinigung gründlich trocken sind.
- Um Verletzungen zu vermeiden, schalten Sie den Staubsauger aus und entfernen Sie die elektrische Bürstenwalze vor der Reinigung und Wartung. Verwenden Sie den Staubsauger nicht, bevor Sie die elektrische Bürstenwalze, die Abdeckung des Staubbehälters, den Filter, den Vorfilter und den Nachfilter ordnungsgemäß installiert haben.
- Prüfen Sie regelmäßig die Verlängerungsstange und verwenden Sie sie nicht, wenn sie beschädigt ist.
- Verwenden Sie den Staubsauger weder zum Aufsaugen von brennbaren oder explosiven Flüssigkeiten wie Benzin, noch von anderen Flüssigkeiten wie Wasser oder giftigen Flüssigkeiten wie Bleichmittel, Ammoniak und Abflussreinigern.
- Verwenden Sie den Staubsauger nicht dazu, Toner aufzusaugen, der in Laserdruckern und Kopierern verwendet wird, da der Toner einen Brand oder eine Explosion auslösen kann.
- Verwenden Sie den Staubsauger nicht dazu, Gipskartenteile, Asche wie z.B. Kaminasche, Rauch oder brennende Materialien wie Kohle, Zigarettenstummel oder Streichhölzer aufzusaugen.
- Verwenden Sie den Staubsauger nicht dazu, scharfe oder harte Objekte wie Glas, Nägel, Schrauben oder Münzen aufzusaugen, da dies zu Schäden am Produkt führen kann.
- Verwenden Sie den Staubsauger nicht dazu, Flecken von dicken öligen Substanzen, starke Klebstoffe oder Farbstoffe wie Schuhcreme, Farben und Pigmente zu reinigen.
- Halten Sie Haare, lose Kleidung, Finger und andere Körperteile von den Öffnungen und beweglichen Teilen des Staubsaugers fern.
- Richten Sie die Saugöffnung, die Verlängerungsstange oder anderes Zubehör nicht auf Ihre Augen oder Ohren und nehmen Sie sie nicht in den Mund.
- Stecken Sie keine Gegenstände in die Öffnungen des Staubsaugers und benutzen Sie den Staubsauger nicht, wenn Öffnungen blockiert sind. Halten Sie es frei von Staub, Fusseln, Haaren oder anderen Gegenständen, die die Saugleistung des Staubsaugers mindern könnten.
- Lehnen Sie den Staubsauger nicht auf instabile Gegenstände wie Stühle oder Tische, um Schäden oder Verletzungen durch Herunterfallen zu vermeiden.
- Der Staubsauger darf nicht in der Nähe von Hitzequellen (z. B. Heizkörper) oder in feuchten Bereichen (z. B. Küchen oder Badezimmer) geladen oder aufbewahrt werden.
- Setzen Sie das Gerät oder den Akku keinen übermäßigen Temperaturen aus.
- Seien Sie sich des Risikos bewusst, dass die Klemmen des akkubetriebenen Geräts oder des Akkus durch Metallgegenstände kurzgeschlossen werden können.
- Verwenden Sie nur Ersatzteile, die von Xiaomi zugelassen sind.
- Falls es zu einem Auslaufen des Akkus kommt, vermeiden Sie den Kontakt mit der Flüssigkeit und entsorgen Sie den Akku bei einer staatlich zugelassenen Recyclinganlage. Bei Augenkontakt mit viel Wasser ausspülen und sofort einen Arzt aufsuchen.
- Bitte seien Sie besonders vorsichtig, wenn Sie den Staubsauger zur Treppenreinigung verwenden.
- Warnung vor Brandgefahr: Tragen Sie keine Duftstoffe auf den Vor- und Nachfilter des Staubsaugers auf. Diese Art von Produkten enthält häufig brennbare Chemikalien, die dazu führen könnten, dass der Staubsauger Feuer fängt.
- Halten Sie sich strikt an die Anweisungen in dieser Bedienungsanleitung, um den Staubsauger bei einer Umgebungstemperatur von 0 °C bis 35 °C aufzuladen. Unsachgemäßes Aufladen kann zu einer Beschädigung des Akkus führen.
- Bitte halten Sie sich bei der Benutzung des Staubsaugers streng an die Anweisungen dieser Bedienungsanleitung. Benutzer sind für jeglichen Verlust und Schaden verantwortlich, die durch den unsachgemäßen Gebrauch dieses Staubsaugers entstehen.
- **WARNUNG:** Verwenden Sie nur das mit diesem Gerät mitgelieferte Netzteil.
- **WARNUNG:** Zum Aufladen des Akkus darf ausschließlich das im Lieferumfang dieses Geräts enthaltene abnehmbare Netzteil verwendet werden.
- Die Verwendung erfolgt nur mit dem Netzteil BLJ15WJ270050P-V oder AD-D0752700050EU01.



Informationen zur Einhaltung gesetzlicher Vorschriften



EU-Konformitätserklärung

Wir, Beijing Shunzao Technology Co., Ltd., bestätigen hiermit, dass dieses Gerät mit den geltenden Verordnungen und europäischen Normen sowie etwaigen Ergänzungen in Einklang steht. Der vollständige Wortlaut der EU-Konformitätserklärung ist unter der folgenden Internetadresse abrufbar: <http://www.mi.com/global/service/support/declaration.html>



Entsorgung von elektrischen und elektronischen Geräten

Das Symbol auf dem Produkt oder der Verpackung bedeutet, dass das Produkt einer getrennten Erfassung für elektrische und elektronische Geräte zugeführt werden muss und nicht über den normalen Haushaltsabfall entsorgt werden darf. Bitte entnehmen Sie Batterien und Lampen, die nicht vom Gerät umschlossen sind, vor der Abgabe aus dem Gerät und entsorgen diese über die offiziellen Sammelstellen für Batterien und Lampen.

Beim Kauf eines neuen Elektrogerätes können Sie beim Verkäufer ein gleichartiges Altgerät unentgeltlich zurückgeben. Elektrogeräte mit einer Kantenlänge von maximal 25 cm können unentgeltlich bei Verkäufern von Elektro- und Elektronikgeräten mit einer Verkaufsfläche von mindestens 400 m² sowie größeren Supermärkten abgegeben werden, ohne dass ein Neugerät erworben werden muss. Größere Elektrogeräte können kostenlos bei kommunalen Wertstoffhöfen abgegeben werden.

Durch die korrekte Entsorgung tragen Sie dazu bei, negative Auswirkungen auf die Umwelt und die menschliche Gesundheit zu vermeiden, die durch unsachgemäße Erfassung und Behandlung von Elektroaltgeräten entstehen können.

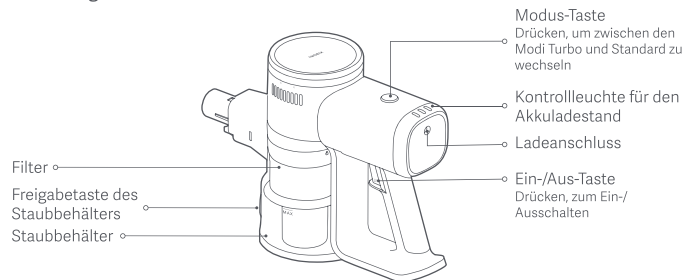
Bitte löschen Sie sämtliche personenbezogenen Daten auf dem Gerät, bevor Sie es entsorgen.

Für weitere Informationen kontaktieren Sie bitte Ihre Kommunalverwaltung, Ihren örtlichen Abfallentsorger oder das Geschäft, in dem Sie das Produkt erworben haben.

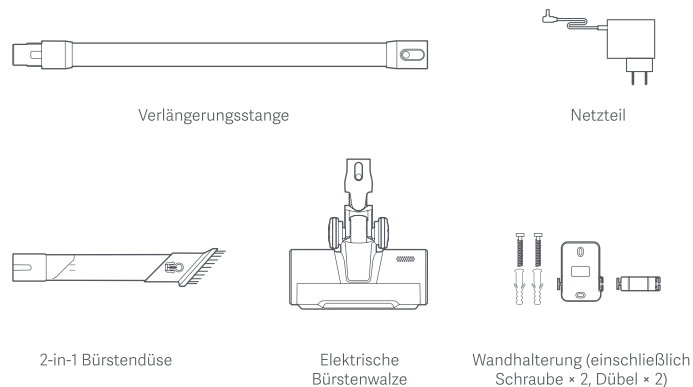


Produktübersicht

Staubsauger



Zubehörliste



Hinweis: Abbildungen des Produkts, des Zubehörs und der Benutzeroberfläche in der Bedienungsanleitung dienen nur als Referenz. Die tatsächlichen Produkte und Funktionen können aufgrund von Produktverbesserungen variieren.

Installation

Installation des Zubehörs am Staubsauger

- Anschluss der Verlängerungsstange an den Staubsauger und die elektrische Bürstenwalze

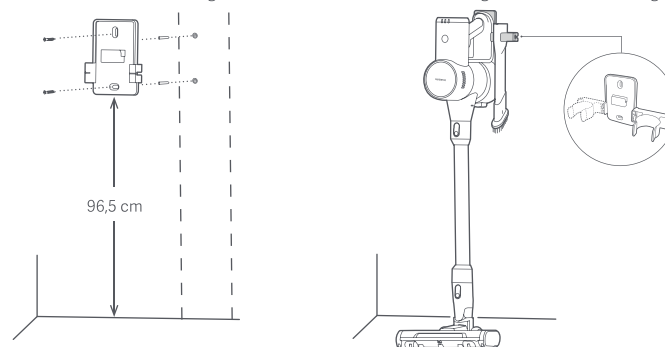


- Anschluss der 2-in-1 Bürstendüse an den Staubsauger



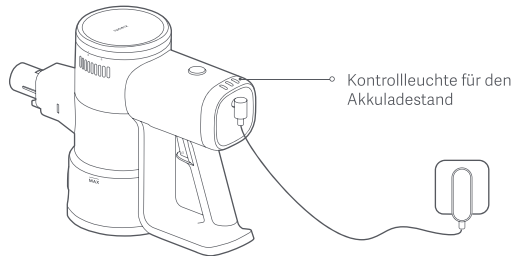
Installation der Wandhalterung

1. Wählen Sie einen kühlen und trockenen Ort mit einer Steckdose in der Nähe. Stellen Sie vor der Installation sicher, dass sich direkt hinter der Stelle, an der die Halterung angebracht werden soll, keine Kabel oder Rohre in der Wand befinden.
2. Der Abstand zwischen der Unterseite der Wandhalterung und dem Boden sollte 96,5 cm betragen.
3. Halten Sie die Wandhalterung in Position, und markieren Sie die Löcher an der Wand entsprechend der Halterung.
4. Bohren Sie mit einem Schlagbohrer mit einem 8-mm-Bohrer an jeder markierten Stelle ein ca. 40 mm tiefes Loch und stecken Sie je einen Dübel in jedes Loch.
5. Richten Sie die Befestigungslöcher der Wandhalterung mit den Löchern an der Wand aus und verwenden Sie dann die mitgelieferten Schrauben, um die Halterung an der Wand zu befestigen.





Laden



Beschreibung des Status der Kontrollleuchte für den Akkuladestand

● Aus ☀ Beim Blinken ○ Ein

Arbeit

○ ● ● Niedriger Akkustand ○ ○ ○ Fast voll
○ ○ ● Akkuladestatus 50 %

Laden

☀ ● ● Niedriger Akkustand ○ ○ ☀ Fast voll
○ ☀ ● Akkuladestatus 50 % ○ ○ ○ Voll aufgeladen

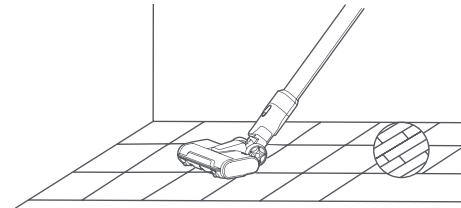
Hinweise:

- Vor der erstmaligen Benutzung sollte der Staubsauger voll aufgeladen werden. Dies dauert etwa 5 Stunden.
- Der Staubsauger kann während des Ladens nicht benutzt werden.
- Wenn der Staubsauger vollständig geladen ist, schaltet sich die Kontrollleuchte nach 20 Sekunden ab und der Staubsauger wird in den Energieeinsparmodus versetzt.
- Wird der Staubsauger auf der höchsten Saugstufe über längere Zeit benutzt, führt dies zu einer Erhitzung des Akkus, wodurch sich die Ladezeit verlängern kann. Bevor Sie den Staubsauger aufladen, sollte er am besten 30 Minuten lang abkühlen.

Verwendung

Elektrische Bürstenwalze

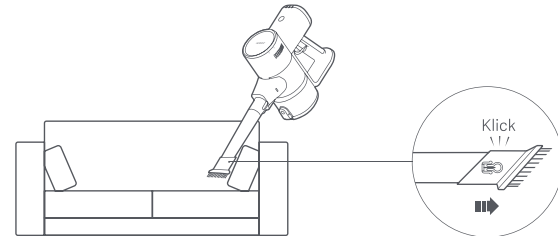
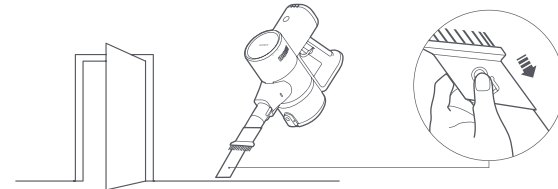
Zur Reinigung von Marmor-, Holz- und kurzflorigen Teppichböden.



2-in-1 Bürstendüse

Geeignet für die Reinigung von Stellen mit Ritzen, wie Tastaturen, Vorhängen, Sofas, Decken, Ecken und Autoinnenräumen.

Hinweis: Um mögliche Sicherheitsrisiken zu vermeiden, setzen Sie den Staubsauger nicht direkter Sonneneinstrahlung aus und bewahren Sie ihn nicht in Umgebungen mit hohen Temperaturen auf, wie z.B. im Sommer in einem Auto.



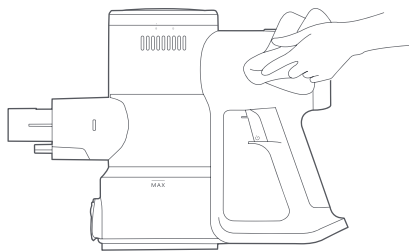
Pflege und Wartung

VORSICHTSMAßNAHMEN:

- Trennen Sie vor der Pflege und Wartung das Netzteil vom Stromnetz und stellen Sie sicher, dass der Staubsauger ausgeschaltet ist.
- Benutzen Sie immer Originalteile, um den korrekten Betrieb zu gewährleisten und die Garantie aufrechtzuerhalten.
- Wenn der Filter, der Vorfilter, der Nachfilter, die Verlängerungsstange oder die 2-in-1 Bürstendüse verstopft ist, funktioniert der Staubsauger nicht mehr. Bevor Sie den Staubsauger wieder verwenden, schalten Sie ihn aus und reinigen Sie die verstopfte Stelle.
- Wenn die Bürstenwalze verstopft ist, funktioniert sie nicht mehr, nicht aber der Staubsauger selbst. Bevor Sie den Staubsauger wieder verwenden, schalten Sie ihn aus und reinigen Sie die Bürstenwalze.
- Entfernen Sie vor der Reinigung den Bürstenkopf vom Staubsauger, um im Fall eines versehentlichen Einschaltens des Staubsaugers Verletzungen zu vermeiden.
- Wenn der Staubsauger für eine längere Zeit nicht benutzt werden wird, laden Sie ihn voll auf, trennen Sie ihn vom Netz und lagern ihn an einem kühlen und trockenen Ort ohne direkte Sonneneinstrahlung.
- Um eine Tiefentladung des Akkus zu vermeiden, sollte der Staubsauger mindestens einmal alle drei Monate aufgeladen werden.

Reinigung des Staubsaugers

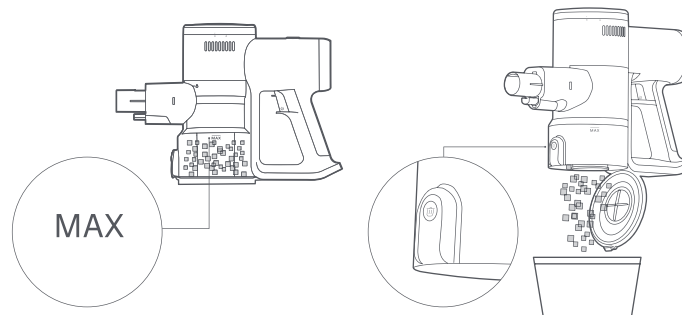
Reinigen Sie den Staubsauger mit einem weichen trockenen Tuch.



Den Staubbehälter reinigen

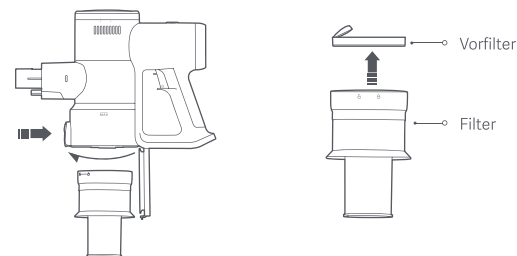
Vor dem Reinigen des Staubbehälters trennen Sie das Netzteil und nehmen Sie die Verlängerungsstange ab. Die Reinigungsleistung des Staubsaugers reduziert sich, wenn der Staubbehälter bis zur „MAX“-Markierung gefüllt ist. Um die volle Reinigungsleistung wiederherzustellen, leeren Sie den Staubbehälter.

- Leeren Sie den Staubbehälter aus: Halten Sie den Staubbehälter über einen Mülleimer und drücken Sie dann die Freigabetaste des Staubbehälters, um den Inhalt zu entleeren.



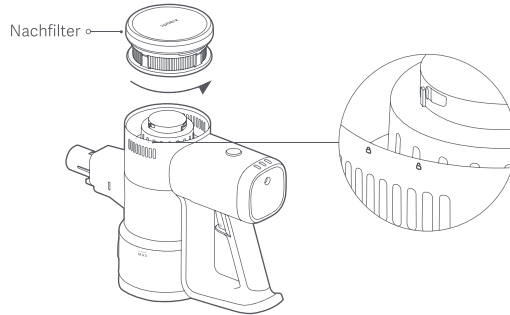
Reinigung der Filtereinheit

1. Drücken Sie die Freigabetaste des Staubbehälters, um den Staubbehälter zu öffnen, drehen Sie den Filter wie abgebildet, um ihn zu entfernen, und nehmen Sie dann den Vorfilter vom Filter ab.





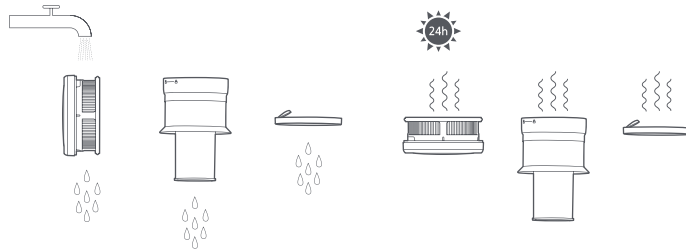
2. Drehen Sie den Nachfilter wie abgebildet, um ihn zu entfernen.



3. Spülen Sie den Filter, den Vorfilter und den Nachfilter unter fließendem Leitungswasser ab, bis sie sauber sind, und legen Sie sie dann mindestens 24 Stunden lang zum vollständigen Trocknen beiseite.

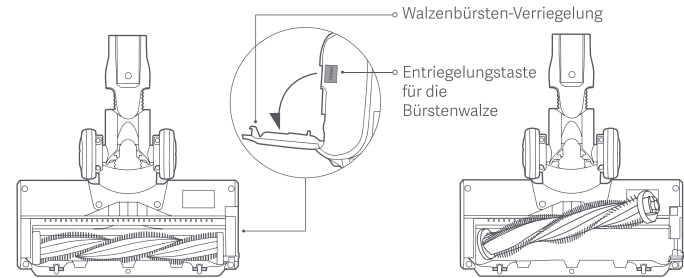
Hinweise:

- Weichen Sie den Filter, den Vorfilter und den Nachfilter niemals ein.
- Wenn Sie den Nachfilter reinigen, spülen Sie ihn wiederholt ab und klopfen Sie leicht auf den Rand, um Staub und Schmutz zu entfernen, bis er sauber ist.
- Reinigen Sie den Vorfilter und den Nachfilter nicht mit den Händen, einer Bürste oder einem scharfen Gegenstand, um Schäden zu vermeiden.
- Wenn die Saugleistung nach der Reinigung des Vor- und Nachfilters immer noch deutlich nachlässt, können Sie versuchen, sie zu kaufen und durch Originalteile zu ersetzen.

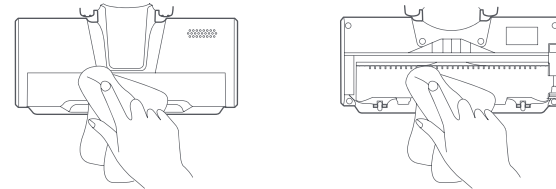


Reinigung der elektrischen Bürstenwalze

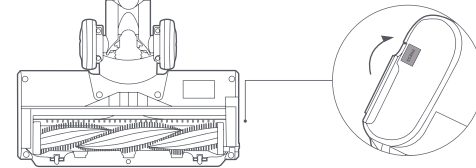
1. Stellen Sie die Bürstenwalze auf den Kopf und drücken Sie die Entriegelungstaste der Bürstenwalze, um die Bürstenwalze zu entriegeln und sie zu entfernen.



2. Verwenden Sie ein trockenes Tuch oder ein Papiertuch, um Staub und Schmutz von der Ansaugöffnung und der transparenten Abdeckung abzuwischen. Hinweis: Reinigen Sie die elektrische Bürstenwalze nicht mit Wasser, da sie einen eingebauten Motor hat.



3. Setzen Sie die Bürstenwalze wieder ein, und drücken Sie die Verriegelung, um sie zu verriegeln.





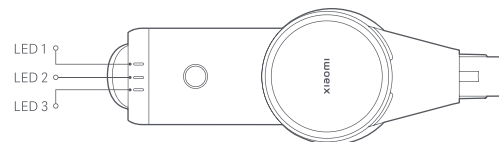
Häufiges Problem

Häufiges Problem	Mögliche Ursache	Lösung
Der Staubsauger funktioniert nicht.	Akku ist erschöpft.	Laden Sie den Staubsauger vor Gebrauch auf.
	Die Ansaugöffnung, der Luftkanal, der Vorfilter oder der Nachfilter ist verstopft.	Prüfen und reinigen Sie ihn sofort.
	Der Filter, Vorfilter oder Nachfilter ist nicht richtig installiert.	Prüfen Sie und installieren Sie ihn an Ort und Stelle.
	Der Temperaturschutz des Akkus wurde ausgelöst.	Bitte warten Sie, bis sich die Temperatur des Akkus normalisiert hat, und setzen Sie erst dann die Benutzung fort.
Die Saugleistung ist reduziert.	Der Staubbehälter ist voll, oder der Vorfilter oder der Nachfilter ist verstopft.	Prüfen und reinigen Sie ihn sofort.
	Der Bürstenkopf ist verstopft.	Reinigung des Bürstenkopfes.
Kurze Akkulaufzeit.	Der Akku ist nicht vollständig geladen.	Laden Sie den Staubsauger vor Gebrauch auf.
	Der Staubbehälter ist voll, oder der Vorfilter oder der Nachfilter ist verstopft.	Prüfen und reinigen Sie ihn sofort.
	Der Bürstenkopf ist verstopft.	Reinigung des Bürstenkopfes.
Die Bürstenwalze dreht sich nicht.	Die Bürstenwalze ist durch Fremdkörper verklemt.	Entfernen Sie Fremdkörper und setzen Sie die Benutzung fort.
	Der Überhitzungsschutz für den Motor der Bürstenwalze wurde ausgelöst.	Warten Sie vor der Verwendung, bis sich die Temperatur des Motors der Bürstenwalze wieder normalisiert hat.
	Die leitenden Kontakte sind verschmutzt.	Wischen Sie die Kontakte mit einem weichen, trockenen Tuch ab und versuchen Sie erneut.
Kann nicht geladen werden.	Das verwendete Netzteil ist kein Originalteil.	Benutzen Sie ausschließlich das Originalnetzteil, um den Staubsauger aufzuladen.
Der Akku wird nur langsam geladen.	Der Temperaturschutz des Akkus wurde ausgelöst.	Bitte warten Sie, bis sich die Temperatur des Akkus normalisiert hat, und setzen Sie erst dann die Benutzung fort.

Hinweis: Falls die obigen Lösungen das Problem nicht lösen, kontaktieren Sie bitte das Kundendienstteam.

Fehlerbehebung

Wenn der Staubsauger nicht ordnungsgemäß funktioniert, zeigt die Kontrollleuchte für den Akkuladestand eine Fehlermeldung an. Entfernen Sie die Fehlerbehebung der nachstehenden Tabelle.



Fehlermeldung	Mögliche Ursache	Lösung
LED 1, LED 2 und LED 3 blinken dreimal gleichzeitig.	Netzteilfehler	Benutzen Sie ausschließlich das Originalnetzteil, um den Staubsauger aufzuladen.
	Der Temperaturschutz des Akkus wurde ausgelöst.	Warten Sie vor der Verwendung, bis sich die Temperatur des Motors der Bürstenwalze wieder normalisiert hat.
	Fehler in den Akkuzellen	Wenden Sie sich an das Kundendienstteam
	Fehler Temperatursensor	
	Motorfehler	
LED 1 blinkt zehnmal.	Akku leer	Benutzen Sie ausschließlich das Originalnetzteil, um den Staubsauger aufzuladen.

Spezifikationen

Xiaomi Staubsauger G20 Lite			
Bezeichnung	Kabelloser Staubsauger	Modell	C203
Nennspannung	22,2 V ~	Nennleistung	215 W
Ladespannung	27,0 V ~	Nettogewicht	2,4 kg
Elektrische Bürstenwalze			
Modell	C203-DS	Nennspannung	22,2 V ~
Nennleistung	15 W		
Netzteil			
Hersteller	Zhongshan Baolijin Electronic Co., Ltd.		
Modell	BLJ15WJ270050P-V	Durchschnittliche Aktive Effizienz	85,9 %
Nenneingang	100 bis 240 V ~ 50/60 Hz 0,5 A	Effizienz bei Geringer Belastung (10 %)	73,2 %
Nennausgang	27,0 V ~ 0,5 A 13,5 W	Lastloser Stromverbrauch	0,09 W
Hersteller	Shenzhen AMC Technology Co., Ltd.		
Modell	AD-D0752700050EU01	Durchschnittliche Aktive Effizienz	84,5 %
Nenneingang	100 bis 240 V ~ 50/60 Hz 0,8 A	Effizienz bei Geringer Belastung (10 %)	75,5 %
Nennausgang	27,0 V ~ 0,5 A 13,5 W	Lastloser Stromverbrauch	0,09 W

Hinweis: Die Modelle BLJ15WJ270050P-V und AD-D0752700050EU01 sind beide für den Staubsauger geeignet, und nur eines ist im Lieferumfang enthalten.

Umweltschutzhinweise

Das wiederaufladbare Lithium-Ionen-Akkupack dieses Staubsaugers enthält Chemikalien, die die Umwelt verschmutzen können. Nehmen Sie die Akkus, bevor Sie den Staubsauger entsorgen, und entsorgen Sie sie anschließend in einer geeigneten Recyclinganlage.

- Der Akku muss aus dem Gerät entfernt werden, bevor es entsorgt wird.
- Das Gerät muss vom Stromnetz getrennt sein, wenn der Akku entfernt wird.
- Der Akku muss sicher entsorgt werden.

VORSICHTSMAßNAHMEN:

- Stellen Sie sicher, dass der Staubsauger von der Leistung getrennt ist und die Akkus vollständig entladen sind, bevor Sie den Akku entfernen.
- Bringen Sie die entfernten Akkus zur fachgerechten Entsorgung zu einem professionellen Recyclingbetrieb.
- Lassen Sie die Akkus nicht in einer Umgebung mit hohen Temperaturen liegen, da sie sonst explodieren könnten.
- Falls der Akku auslaufen sollte, vermeiden Sie den Kontakt mit der Flüssigkeit. Falls die Flüssigkeit in die Augen geraten sollte, spülen Sie die Augen mit viel Wasser aus und suchen Sie sofort einen Arzt auf.

So entfernen Sie den Akku:

1. Entfernen Sie die hinteren Abdeckungen des Staubsaugers und des Handgriffs, und entfernen Sie den Mikroschalter vom Handgriff.
2. Verwenden Sie einen Schraubendreher, um die Schrauben im Staubsauger zu entfernen, trennen Sie dann die Kabel und nehmen Sie das Akkupack heraus.
3. Lösen Sie die beiden Schrauben oberhalb der Platine der Akkupack-Baugruppe.
4. Entfernen Sie die obere und untere Abdeckung der Platine und des Akkupacks, und nehmen Sie die Akkus heraus.



GARANTIEERKLÄRUNG

DIESE GARANTIE GIBT IHNEN BESTIMMTE RECHTE UND MÖGLICHERWEISE VERFÜGEN SIE AUFGRUND DER GESETZE IHRES LANDES, IHRER PROVINZ ODER IHRES BUNDESLANDES ÜBER WEITERE RECHTE. IN EINIGEN LÄNDERN, PROVINZEN ODER BUNDESLÄNDERN SCHREIBT DAS VERBRAUCHERRECHT EINE MINDESTGARANTIEZEIT VOR. XIAOMI SCHLIESST IHRE WEITEREN RECHTE NICHT AUS, SCHRÄNKT SIE NICHT EIN UND SETZT SIE NICHT AUS, SOFERN DIES NICHT GESETZLICH ZULÄSSIG IST. UMFASSENDE INFORMATIONEN ZU IHREN RECHTEN FINDEN SIE IN DEN GESETZEN IHRES LANDES, IHRER PROVINZ ODER IHRES BUNDESLANDES.

1. EINGESCHRÄNKTE PRODUKTGARANTIE

Xiaomi garantiert Ihnen, dass Ihr Xiaomi-Produkt während der Garantiezeit bei normalem Gebrauch frei und bei Gebrauch in Übereinstimmung mit den Anweisungen des betreffenden Benutzerhandbuchs frei von Material- und Verarbeitungsfehlern ist.

Die gesetzlichen Gewährleistungsfristen und -bestimmungen ergeben sich aus den jeweiligen lokalen Gesetzen. Weitere Informationen zu den Garantieleistungen für Verbraucher finden Sie auf der Website von Xiaomi unter <https://www.mi.com/global/support/warranty>.

Xiaomi garantiert Ihnen als Erstkäufer, dass das Xiaomi-Produkt während des oben genannten Zeitraums bei normalem Gebrauch frei von Material- und Verarbeitungsfehlern ist.

Xiaomi garantiert nicht, dass das Produkt unterbrechungsfrei oder fehlerfrei funktioniert.

Xiaomi haftet nicht für Schäden, die aus der Nichteinhaltung der Anweisungen zur Verwendung des Produkts resultieren.

2. RECHTSMITTEL

Wenn ein Hardwarefehler festgestellt wird und Xiaomi eine gültige Reklamation innerhalb der Garantiezeit erhält, wird Xiaomi entweder (1) das Produkt unter Verwendung neuer oder überholter Ersatzteile kostenlos reparieren, (2) das Produkt ersetzen oder (3) den Kaufpreis des Produkts zurückerstatten, wobei mögliche Versandkosten ausgeschlossen werden.

3. NUTZUNG DES GARANTIESERVICES

Um Garantieleistungen in Anspruch nehmen zu können, müssen Sie das Produkt in der Originalverpackung oder einer ähnlichen Verpackung, die das Produkt im gleichen Maße schützt, an die von Xiaomi angegebene Adresse senden. Wenn dies nicht durch anwendbares Recht untersagt ist, kann Xiaomi vor der Erbringung von Garantieleistungen die Vorlage von Kaufnachweise(n) und / oder eine Registrierung von Ihnen verlangen.

4. AUSSCHLÜSSE UND EINSCHRÄNKUNGEN

Soweit nicht anders durch Xiaomi bestimmt, gilt diese eingeschränkte Garantie ausschließlich für das von oder für Xiaomi hergestellte Produkt, das durch das die Marken oder Handelsnamen oder das „Xiaomi“- bzw. „Mi“-Logo identifiziert werden kann.

Die Garantie beinhaltet keine (a) Schäden durch Naturereignisse oder höhere Gewalt, z. B. Blitzschläge, Tornados, Überschwemmungen, Feuer, Erdbeben oder andere äußere Ursachen; (b)

Schäden durch Fahrlässigkeit; (c) Schäden durch kommerzielle Nutzung; (d) Schäden durch Änderungen oder Modifikationen an einem Teil des Produkts; (e) Schäden, die durch die gemeinsame

Verwendung mit Produkten anderer Hersteller verursacht werden; (f) Schäden, die durch Unfall, Missbrauch oder Zweckentfremdung verursacht werden; (g) Schäden, die durch den Betrieb des

Produkts im Widerspruch zur von Xiaomi beschriebenen zulässigen oder beabsichtigten Verwendung oder durch unzulässige Spannungs- oder Stromversorgung verursacht werden; (h) Schäden, die

durch Serviceleistungen (einschließlich Upgrades und Erweiterungen) von Personen verursacht werden, die dafür nicht von Xiaomi autorisiert wurden.

Es liegt in Ihrer Verantwortung, Daten, Software oder andere Materialien, die Sie auf dem Produkt gespeichert haben, zu sichern. Es ist wahrscheinlich, dass Daten, Software oder andere Materialien bei Inanspruchnahme des Garantieservices verloren gehen oder Geräte neu formatiert werden und Xiaomi übernimmt keine Haftung für solche Schäden oder Verluste.

Wiederverkäufer, Agenten oder Mitarbeiter von Xiaomi sind nicht berechtigt, Änderungen, Erweiterungen oder Ergänzungen hinsichtlich dieser eingeschränkten Garantie vorzunehmen. Sollte eine

Bestimmung rechtswidrig oder nicht durchsetzbar sein, wird die Rechtmäßigkeit oder Durchsetzbarkeit der übrigen Bestimmungen davon nicht berührt oder beeinträchtigt.

Sofern dies nicht gesetzlich verboten oder anderweitig von Xiaomi versprochen wurde, ist der Kundendienst auf das Land oder die Region des ursprünglichen Kaufs beschränkt.

Produkte, die nicht ordnungsgemäß eingeführt wurden und/oder nicht ordnungsgemäß von Xiaomi hergestellt wurden und/oder nicht ordnungsgemäß von Xiaomi oder einem offiziellen Händler von

Xiaomi erworben wurden, fallen nicht unter diese Garantie. Gemäß geltendem Recht können Garantieforderungen gegen Einzelhändler geltend gemacht werden, die das Produkt trotz Ermangelung

gegenseitiger Vertriebsvereinbarungen in Umlauf gebracht haben. In solchen Fällen ermutigt Sie Xiaomi, den Händler zu kontaktieren, bei dem Sie das Produkt gekauft haben.

Diese Garantieerklärung ist nicht auf Hong Kong und Taiwan anwendbar.

5. STILLSCHWEIGENDE GARANTIE

Soweit durch geltendes Recht zulässig, sind alle stillschweigend begründeten Garantien (einschließlich der Garantie der Gebrauchstauglichkeit oder der Eignung für einen bestimmten Zweck)

zeitlich beschränkt und gelten maximal für die Dauer dieser eingeschränkten Garantie. In einigen Ländern ist die Beschränkung der Dauer stillschweigender Garantien nicht zulässig, sodass die o. g.

Beschränkung auf Sie nicht zutrifft, wenn Sie Verbraucher in einem dieser Länder sind.



6. SCHADENS BESCHRÄNKUNG

Soweit durch geltendes Recht zulässig, haftet Xiaomi nicht für zufällige oder indirekte Schäden, Neben- oder Folgeschäden oder besondere Schadensfolgen einschließlich, aber nicht beschränkt auf, entgangenen Gewinnen oder Einnahmen sowie Datenverluste und Schäden, die aus einer Verletzung einer ausdrücklichen oder stillschweigenden Garantie- oder anderweitigen Bedingung oder aus einer anderen rechtlichen Grundlage resultieren, selbst wenn Xiaomi auf die Möglichkeit solcher Schäden hingewiesen wurde. In einigen Ländern sind Ausschluss oder Beschränkung der Haftung für indirekte oder Folgeschäden sowie besondere Schadensfolgen nicht zulässig, sodass die o. g. Beschränkung auf Sie evtl. nicht zutrifft.

7. KONTAKT XIAOMI

Kontaktinformationen finden Sie auf unserer Website: <https://www.mi.com/global/support/warranty>

Der Kundendienst kann durch jede Person im autorisierten Servicenetz von Xiaomi erbracht werden, durch die autorisierten Händler von Xiaomi oder durch den Endverkäufer, der die Produkte an Sie verkauft hat. Bei Fragen Sie sich bitte an die entsprechende von Xiaomi angegebene Person.



Instrucciones de seguridad

Este producto es exclusivo para uso doméstico. Lea detenidamente este manual antes de usar el producto y consérvelo para futuras consultas.

- Este aparato puede ser utilizado por niños a partir de 8 años y por personas con capacidades físicas, sensoriales o mentales reducidas o con falta de experiencia y conocimientos si han recibido supervisión o instrucciones sobre el uso del aparato de forma segura y comprenden los peligros que conlleva. Los niños no deben jugar con el aparato. La limpieza y el mantenimiento por parte del usuario no deben ser realizados por niños sin supervisión.
- Este aparato contiene baterías que solo deben ser reemplazadas por operarios expertos.
- El aparato solo debe utilizarse con la fuente de alimentación suministrada.
- Esta aspiradora es exclusiva para uso en interiores. No la utilice ni la instale en entornos exteriores, industriales o comerciales.
- Puede producirse una situación de peligro si el aparato pasa por encima del cable de alimentación.
- El enchufe debe retirarse de la toma antes de limpiar o realizar el mantenimiento del aparato.
- Para reducir los riesgos de incendio, explosión o lesiones personales, antes de usar el producto, compruebe que la fuente de alimentación no presente daños. No utilice la aspiradora si el adaptador de corriente está dañado.
- Si se daña el cargador o la batería, deberá reemplazarlos por un recambio original del fabricante o del departamento del servicio posventa.
- Asegúrese de apagar la aspiradora antes de limpiar o sustituir el cepillo de rodillo.
- La barra de cepillo eléctrico, la varilla de extensión y la aspiradora son conductores eléctricos y no deben sumergirse en agua u otros líquidos. Asegúrese de que el filtro, el prefiltro y el postfiltro estén bien secos después de limpiarlos.
- Para evitar lesiones, apague la aspiradora y retire la barra de cepillo eléctrico antes de proceder a su limpieza y mantenimiento. No utilice la aspiradora antes de instalar correctamente la barra de cepillo eléctrico, la tapa del compartimento del polvo, el filtro, el prefiltro y el postfiltro.
- Examine periódicamente la varilla de extensión y no la utilice si está dañada.
- No use la aspiradora para recoger líquidos inflamables o explosivos como gasolina, líquidos como agua ni otros líquidos tóxicos como lejía, amoníaco o productos de limpieza de desagües.
- No utilice la aspiradora para limpiar el tóner que se utiliza en las impresoras y copiadoras láser, ya que el tóner puede provocar incendios o explosiones.
- No utilice la aspiradora para recoger partículas de yeso, cenizas (como las de la chimenea) o materiales humeantes o combustibles (como carbón, colillas de cigarrillos o cerillas).
- No utilice la aspiradora para recoger objetos afilados o duros, como vidrio, clavos, tornillos o monedas, que puedan dañar el producto.
- No utilice la aspiradora para limpiar mangos de sustancias grasas espesas, adhesivos fuertes, o tintes, como betún, pinturas y pigmentos.
- Mantenga el cabello, la ropa suelta, los dedos y todas las partes del cuerpo lejos de las aberturas y las partes móviles de la aspiradora.
- No apunte la abertura de succión, la varilla de extensión ni ningún otro accesorio a sus ojos u oídos, ni se los ponga en la boca.
- No meta ningún objeto en las aberturas de la aspiradora, ni utilice la aspiradora en caso de que tenga alguna abertura bloqueada. Mantenga el producto libre de polvo, pelusas, pelos y otros elementos, ya que podrían reducir la potencia de succión de la aspiradora.
- No coloque la aspiradora en objetos inestables como sillas o mesas para evitar daños o lesiones personales causadas por su caída.
- No cargue ni guarde la aspiradora cerca de fuentes de calor ni en zonas húmedas, como cerca de radiadores, o en cuartos de baño o cocinas.
- No exponga el aparato ni la batería a temperaturas excesivas.
- Tenga en cuenta el riesgo de cortocircuito de los bornes del aparato que funciona con batería o de la batería con objetos metálicos.
- Utilice únicamente las piezas de repuesto aprobadas por Xiaomi.
- En caso de que se produzca una fuga de líquido de la batería, evite cualquier contacto con el líquido y deseche la batería en una instalación de reciclaje aprobada por el gobierno. En caso de contacto con los ojos, enjuague con agua abundante y busque atención médica de inmediato.
- Tenga especial cuidado al usar la aspiradora para limpiar escaleras.
- Advertencia de peligro de incendio: No aplique ningún tipo de fragancia al prefiltro y postfiltro de la aspiradora. Se sabe que estos tipos de productos contienen productos químicos inflamables que pueden hacer que la aspiradora se incendie.
- Siga estrictamente las instrucciones de este manual de usuario para cargar la aspiradora a una temperatura ambiente de 0 °C a 35 °C. Una carga inadecuada puede dañar la batería.
- Siga estrictamente las instrucciones incluidas en este manual de usuario cuando utilice la aspiradora. Los usuarios serán responsables de las pérdidas o los daños provocados por utilizar la aspiradora de manera indebida.
- **ADVERTENCIA:** Utilice únicamente la unidad de alimentación suministrada con este aparato.
- **ADVERTENCIA:** Use solamente la unidad desmontable incluida en este aparato para recargar la batería.
- Usar sólo con la unidad de alimentación BLJ15WJ270050P-V o AD-D0752700050EU01.

Información sobre el cumplimiento de la normativa



Declaración de conformidad de la UE

Nosotros, Beijing Shunzao Technology Co., Ltd., por la presente, declaramos que el equipo cumple con las Directivas y Normas Europeas aplicables y las enmiendas. Encontrará el texto completo de la declaración de conformidad de la UE en esta dirección de Internet: <http://www.mi.com/global/service/support/declaration.html>



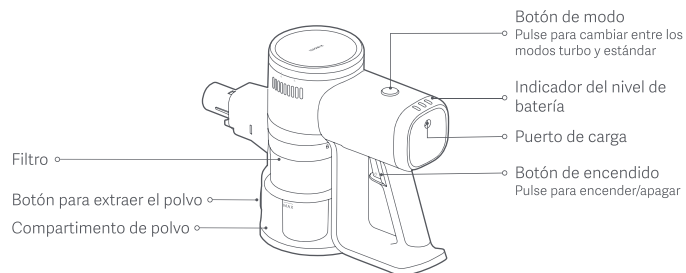
Directiva RAEE de información de eliminación y reciclaje

Todos los productos que llevan este símbolo son residuos de aparatos eléctricos y electrónicos (RAEE según la directiva 2012/19/UE) que no deben mezclarse con residuos domésticos sin clasificar. En su lugar, debe proteger la salud humana y el medio ambiente entregando sus equipos de desecho a un punto de recogida para el reciclaje de residuos de equipos eléctricos y electrónicos, designado por el gobierno o las autoridades locales. La eliminación y el reciclado correctos ayudarán a evitar posibles consecuencias negativas para el medio ambiente y la salud humana. Póngase en contacto con el instalador o con las autoridades locales para obtener más información sobre la ubicación y las condiciones de dichos puntos de recogida.

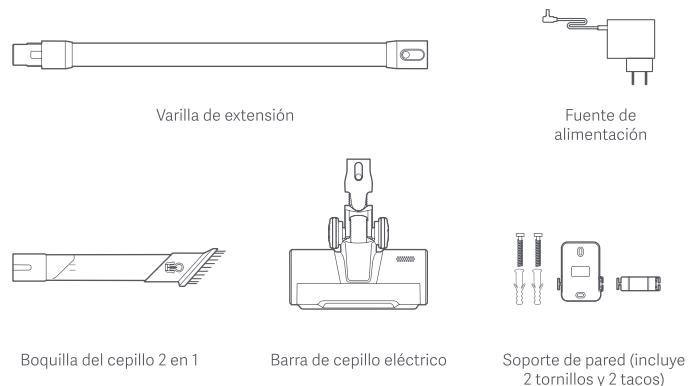


Descripción del producto

Aspiradora



Lista de accesorios



Nota: Las ilustraciones del producto, los accesorios y la interfaz de usuario del manual de usuario son solo para fines de referencia. El producto y las funciones actuales pueden variar debido a mejoras del producto.

Modo de instalación

Instalación de los accesorios en la aspiradora

- Conexión de la varilla de extensión a la aspiradora y a la barra de cepillo eléctrico

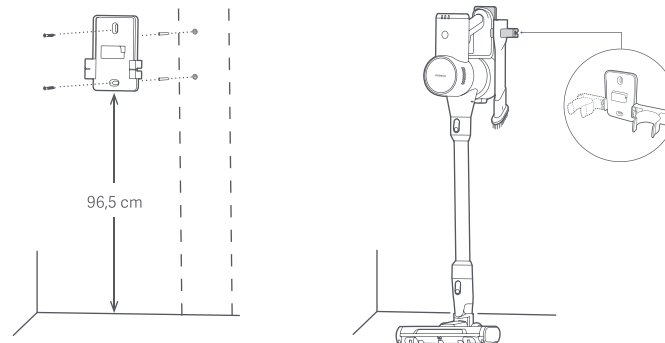


- Conexión de la boquilla del cepillo 2 en 1 a la aspiradora



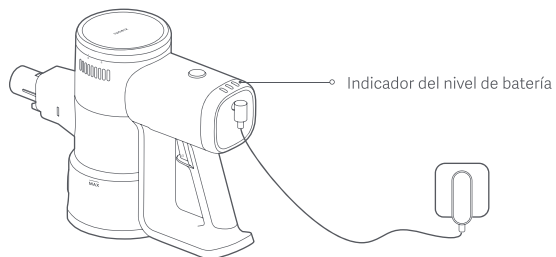
Instalación del soporte de pared

- Elija un lugar fresco y seco con una toma de corriente cerca. Antes de la instalación, asegúrese de que no hay cables ni tuberías en la pared directamente detrás de donde se instalará el soporte.
- Se recomienda que la distancia entre la parte inferior del soporte de pared y el suelo sea de 96,5 cm.
- Sujete el soporte de pared en posición y haga marcas en la pared de acuerdo con los orificios del soporte.
- Utilice un taladro eléctrico con una broca de 8 mm para hacer un orificio de unos 40 mm de profundidad en las posiciones marcadas. A continuación, inserte un taco en cada orificio.
- Alinee los orificios de montaje del soporte de pared con los orificios de la pared y, a continuación, utilice los tornillos incluidos para fijar el soporte a la pared.





Carga



Descripción del estado del indicador del nivel de batería

● Apagado ⚡ Parpadeando ○ Encendido

En funcionamiento

○ ● ● Batería baja ○ ○ ○ Casi cargada
○ ○ ● Batería media

Carga

⚡ ● ● Batería baja ○ ○ ⚡ Casi cargada
○ ⚡ ● Batería media ○ ○ ○ Totalmente cargada

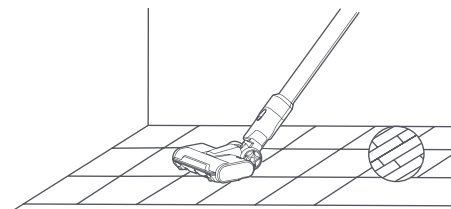
Notas:

- Cargue completamente la aspiradora antes de usarla por primera vez. Esto puede tardar unas 5 horas.
- La aspiradora no se puede utilizar mientras se esté cargando.
- Una vez que la aspiradora esté totalmente cargada, el indicador se apagará después de 20 segundos y la aspiradora entrará en el modo de ahorro de energía.
- Aspirar con un nivel de succión alto durante un periodo prolongado provocará que la batería se caliente, lo que podría aumentar el tiempo de carga. Antes de cargar la aspiradora, recomendamos esperar unos 30 minutos a que se enfríe.

Modo de uso

Barra de cepillo eléctrico

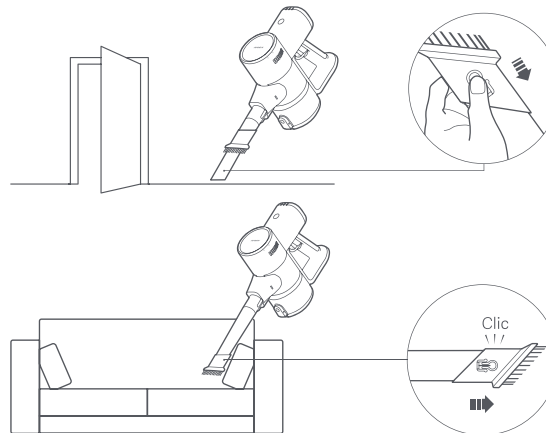
Para la limpieza de suelos de mármol, madera y alfombras de pelo corto.



Boquilla del cepillo 2 en 1

Adecuado para limpiar lugares con resquicios, como teclados, cortinas, sofás, techos, esquinas e interiores de coches.

Nota: Para evitar posibles riesgos de seguridad, no exponga la aspiradora a la luz solar directa ni la guarde en entornos con altas temperaturas, como el interior de un coche en verano.



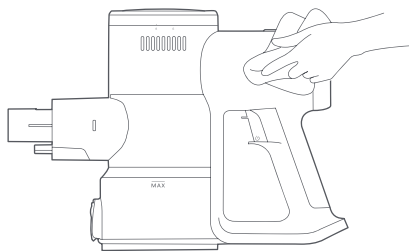
Cuidado y mantenimiento

PRECAUCIONES:

- Antes del cuidado y mantenimiento, desenchufe la fuente de alimentación y asegúrese de que la aspiradora esté apagada.
- Utilice piezas originales para garantizar un buen funcionamiento y mantener la validez de la garantía.
- Si el filtro, el prefiltro, el postfiltro, la varilla de extensión o la boquilla del cepillo 2 en 1 están obstruidos, la aspiradora dejará de funcionar. Antes de volver a utilizar la aspiradora, apáguela y limpie la parte obstruida.
- Si la barra de cepillado se bloquea, dejará de funcionar, pero la aspiradora no. Antes de volver a utilizar la aspiradora, apáguela y limpie la barra de cepillado.
- Antes de la limpieza, retire el cabezal del cepillo de la aspiradora para evitar que se encienda accidentalmente, lo que puede causar lesiones.
- Si no va a utilizar la aspiradora durante un largo periodo de tiempo, cárguela completamente, desenchúfela de la corriente y guárdela en un lugar fresco, con poca humedad y protegida de la luz solar.
- Para evitar que la batería se descargue en exceso, recargue la aspiradora al menos una vez cada tres meses.

Limpieza de la aspiradora

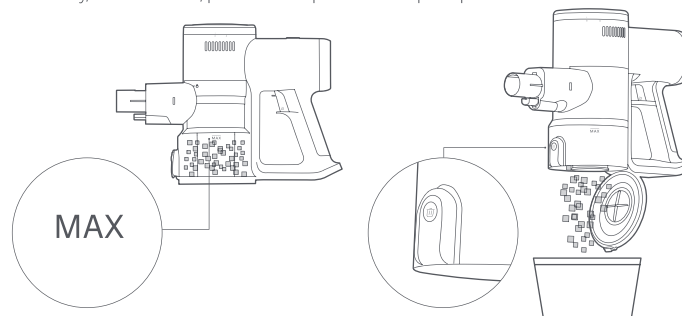
Limpie la aspiradora con un trapo seco y suave.



Limpieza del compartimento de polvo

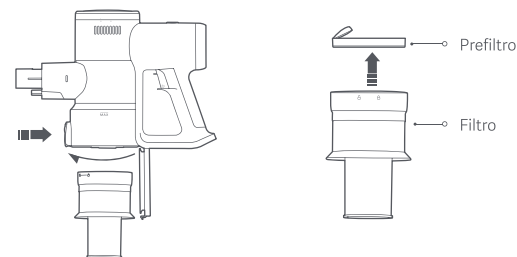
Antes de limpiar el compartimento de polvo, desconecte la fuente de alimentación y retire la varilla de extensión. La capacidad de limpieza de la aspiradora se verá reducida en caso de que el compartimento para el polvo esté lleno y alcance la marca de "MAX". Para que recupere su rendimiento, vacíe el compartimento para el polvo.

- Vaciado del compartimento de polvo: Sostenga el compartimento de polvo sobre un cubo de basura y, a continuación, pulse el botón para extraer el polvo para vaciar el contenido.



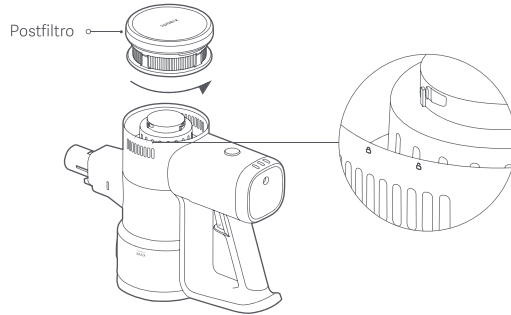
Limpieza del conjunto del filtro

1. Pulse el botón para extraer el polvo para abrir el compartimento de polvo, gire el filtro como se muestra en la ilustración para extraerlo y, a continuación, extraiga el prefiltro del filtro.





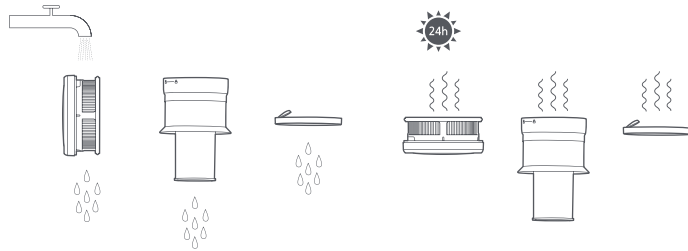
2. Gire el postfiltro como se indica en la ilustración para extraerlo.



3. Enjuague el filtro, el prefiltro y el postfiltro bajo el grifo hasta que queden limpios y, a continuación, déjelos a un lado para que se sequen completamente durante al menos 24 horas.

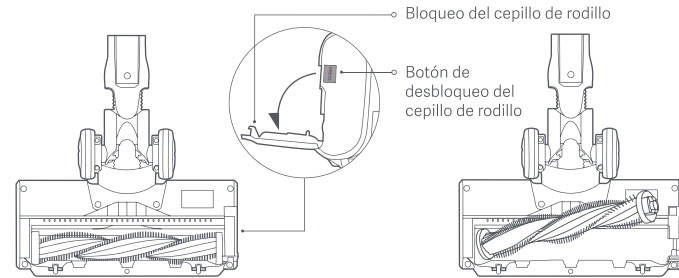
Notas:

- No empape nunca el filtro, el prefiltro ni el postfiltro.
- Cuando limpie el postfiltro, enjuáguelo repetidamente y pulse ligeramente su borde para eliminar el polvo y los residuos hasta que quede limpio.
- No limpie el prefiltro ni el postfiltro con las manos, un cepillo o un objeto afilado para evitar daños.
- Si la potencia de succión sigue disminuyendo considerablemente después de limpiar el prefiltro y el postfiltro, puede intentar comprarlos y sustituirlos por otros originales.



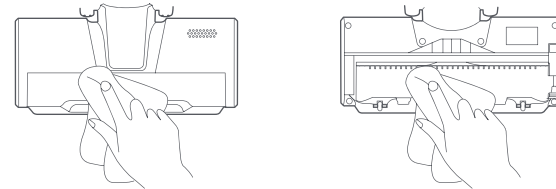
Limpieza de la barra de cepillo eléctrico

1. Coloque la barra de cepillo boca abajo y pulse el botón de desbloqueo del cepillo de rodillo para desbloquearlo y extraerlo.

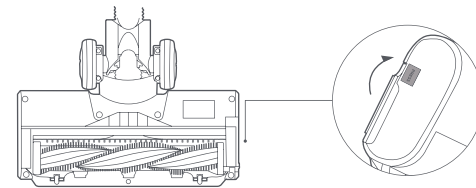


2. Utilice un paño seco o una toalla de papel para limpiar el polvo y los residuos de la abertura de succión y la cubierta transparente.

Nota: No limpie la barra de cepillo eléctrico con agua, ya que tiene un motor incorporado.



3. Vuelva a instalar el cepillo de rodillo y presione el cierre para bloquearlo en su sitio.



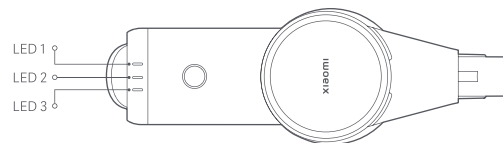
Problemas comunes

Problemas comunes	Posible causa	Solución
La aspiradora no funciona.	La batería está agotada.	Cargue la aspiradora antes de utilizarla.
	La abertura de aspiración, el conducto de aire, el prefiltro o el postfiltro están obstruidos.	Compruébelo y límpielo inmediatamente.
	El filtro, prefiltro o postfiltro no está instalado en su sitio.	Compruébelo e instálelo en su sitio.
	Se activa la protección de temperatura de la batería.	Espere a que la temperatura de la batería vuelva a ser normal y, a continuación, reanude el uso.
La potencia de succión disminuye.	El compartimento de polvo está lleno, o el prefiltro o el postfiltro están obstruidos.	Compruébelo y límpielo inmediatamente.
	El cabezal del cepillo está obstruido.	Limpie el cabezal del cepillo.
Batería baja.	La batería no está totalmente cargada.	Cargue la aspiradora antes de utilizarla.
	El compartimento de polvo está lleno, o el prefiltro o el postfiltro están obstruidos.	Compruébelo y límpielo inmediatamente.
	El cabezal del cepillo está obstruido.	Limpie el cabezal del cepillo.
El cepillo de rodillo no gira.	El cepillo de rodillo está atascado por objetos extraños.	Retire cualquier objeto extraño y reanude el uso.
	La protección contra altas temperaturas del motor de la barra de cepillo está activada.	Espere a que la temperatura del motor de la barra de cepillo vuelva a la normalidad antes de utilizarla.
	Los contactos conductores están sucios.	Limpie los contactos con un paño suave y seco y vuelva a intentarlo.
No se puede cargar.	La fuente de alimentación utilizada no es original.	Utilice únicamente la fuente de alimentación incluida para cargar la aspiradora.
La batería se carga lentamente.	Se activa la protección de temperatura de la batería.	Espere a que la temperatura de la batería vuelva a ser normal y, a continuación, reanude el uso.

Nota: Si las soluciones anteriores no resuelven el problema, póngase en contacto con el equipo de servicio postventa.

Resolución de posibles problemas

Si la aspiradora no funciona correctamente, el indicador del nivel de batería mostrará un mensaje de error. Consulte la siguiente tabla para la resolución de posibles problemas.



Mensaje de error	Posible causa	Solución
El LED 1, el LED 2 y el LED 3 parpadean tres veces simultáneamente.	Error de la fuente de alimentación	Utilice únicamente la fuente de alimentación incluida para cargar la aspiradora.
	Se activa la protección de temperatura de la batería.	Espere a que la temperatura del motor de la barra de cepillos vuelva a la normalidad antes de utilizarla.
	Error de la célula de la batería	Póngase en contacto con el servicio postventa
	Error del sensor de temperatura	
	Error del motor	
El LED 1 parpadea diez veces.	Batería agotada	Utilice únicamente la fuente de alimentación incluida para cargar la aspiradora.

Especificaciones

Xiaomi Vacuum Cleaner G20 Lite			
Nombre	Aspiradora sin cables	Modelo	C203
Tensión nominal	22,2 V ~	Potencia nominal	215 W
Tensión de carga	27,0 V ~	Peso neto	2,4 kg
Barra de cepillo eléctrico			
Modelo	C203-DS	Tensión nominal	22,2 V ~
Potencia nominal	15 W		
Fuente de alimentación			
Fabricante	Zhongshan Baolijin Electronic Co., Ltd.		
Modelo	BLJ15WJ270050P-V	Eficiencia activa media	85,9 %
Entrada nominal	100-240 V ~ 50/60 Hz 0,5 A	Eficiencia a baja carga (10 %)	73,2 %
Salida nominal	27,0 V ~ 0,5 A 13,5 W	Consumo de energía sin carga	0,09 W
Fabricante	Shenzhen AMC Technology Co., Ltd.		
Modelo	AD-D0752700050EU01	Eficiencia activa media	84,5 %
Entrada nominal	100-240 V ~ 50/60 Hz 0,8 A	Eficiencia a baja carga (10 %)	75,5 %
Salida nominal	27,0 V ~ 0,5 A 13,5 W	Consumo de energía sin carga	0,09 W

Nota: Los modelos BLJ15WJ270050P-V y AD-D0752700050EU01 son ambos compatibles con la aspiradora, y sólo uno viene con el paquete.

Aviso ambiental

El paquete de baterías recargables de iones de litio de esta aspiradora contiene productos químicos que pueden contaminar el medio ambiente. Antes de deshacerse de la aspiradora, extraiga las baterías y deséchelas en un centro de reciclaje adecuado.

- La batería debe retirarse del aparato antes de desecharlo.
- Al quitar la batería, se debe desconectar el aparato de la red eléctrica.
- La batería debe eliminarse de forma segura.

PRECAUCIONES:

- Asegúrese de que la aspiradora esté desconectada de la corriente y de que las baterías estén completamente descargadas antes de retirarlas.
- Lleve las baterías extraídas a un centro de reciclaje profesional para desecharlas correctamente.
- No deje las baterías en un entorno a alta temperatura; de lo contrario, podrían explotar.
- En caso de fuga de la batería, evite el contacto con el líquido. Si el líquido entra en los ojos, enjuáguelos con agua abundante y busque atención médica de inmediato.

Pasos para retirar la batería:

1. Retire las tapas traseras de la aspiradora y el mango, y retire el microinterruptor del mango.
2. Utilice un destornillador para quitar los tornillos de la aspiradora, desenchufe los cables y saque el paquete de baterías.
3. Desatornille los dos tornillos situados encima de la placa de circuitos del paquete de baterías.
4. Retire las cubiertas superior e inferior de la placa de circuitos y del paquete de baterías, y saque las baterías.



AVISO DE GARANTÍA

ESTA GARANTÍA LE OTORGA DERECHOS ESPECÍFICOS Y PUEDE QUE YA TENGA OTROS DERECHOS QUE VENGAN REFLEJADOS EN LAS LEYES DE SU PAÍS, PROVINCIA O ESTADO. DE HECHO, EN ALGUNOS PAÍSES, PROVINCIAS O ESTADOS, LAS LEYES DEL CONSUMIDOR PUEDEN IMPONER UN PERIODO MÍNIMO DE GARANTÍA. EXCEPTO LO PERMITIDO POR LA LEY, XIAOMI NO EXCLUYE, LIMITA NI SUSPENDE OTROS DERECHOS QUE USTED PUEDA TENER. PARA COMPRENDER DEL TODO SUS DERECHOS, LE RECOMENDAMOS QUE CONSULTE LAS LEYES DE SU PAÍS, PROVINCIA O ESTADO.

1. GARANTÍA LIMITADA DEL PRODUCTO

XIAOMI garantiza que los productos no tienen ningún defecto material ni de mano de obra cuando lo use de forma normal de acuerdo al manual de usuario del producto correspondiente durante el periodo de garantía.

La duración y las condiciones relativas a las garantías legales se contemplan en la legislación local respectiva. Para más información acerca de los beneficios de las garantías para el consumidor, diríjase a la página web oficial de Xiaomi <https://www.mi.com/global/support/warranty>.

Xiaomi garantiza al comprador original que su Producto Xiaomi no tendrá ningún defecto material ni de mano de obra cuando lo use de forma normal durante el periodo de tiempo antes mencionado. Xiaomi no garantiza que el uso del Producto sea ininterrumpido ni esté libre de errores.

Xiaomi no se hace responsable de los daños que surjan del incumplimiento de las instrucciones relacionadas con el uso del producto.

2. MEDIDAS COMPENSATORIAS

Si se encuentra un defecto de hardware y Xiaomi recibe una reclamación válida dentro del Periodo de garantía, Xiaomi (1) reparará el producto sin cargos, (2) reemplazará el producto o (3) lo restituirá, excluyendo los posibles gastos de envío.

3. CÓMO OBTENER EL SERVICIO DE GARANTÍA

Para obtener el servicio de garantía, usted debe enviar el producto, o bien en su paquete original o bien con un paquete similar que ofrezca el mismo nivel de protección, a la dirección que especifique Xiaomi. Excepto en la medida que lo prohíba la ley aplicable, Xiaomi podría pedirle que presente pruebas o un comprobante de compra y/o que cumpla con los requisitos de inscripción antes de que usted reciba el servicio de garantía.

4. EXCEPCIONES Y LIMITACIONES

A menos que Xiaomi estipule lo contrario, esta Garantía limitada se aplica solo al Producto fabricado por o para Xiaomi e identificable por la marca registrada, el nombre comercial o el logotipo "Xiaomi" o "Mi".

La Garantía limitada no es aplicable a ningún (a) daño provocado por desastres naturales, por ejemplo, rayos, tornados, inundaciones, incendios, terremotos u otras causas externas; (b) negligencia; (c) uso comercial; (d) alteraciones o modificaciones a cualquier parte del Producto; (e) daños provocados por el uso con productos que no son de Xiaomi; (f) daños provocados por accidentes, abusos o malos usos; (g) daños provocados por utilizar el Producto fuera de los usos permitidos o previstos descritos por Xiaomi, o con una tensión o fuente de alimentación incorrecta; o (h) daños provocados por el servicio (incluidas las actualizaciones y expansiones) realizado por cualquiera que no sea representante de Xiaomi.

Es responsabilidad suya hacer una copia de seguridad de cualquier información, software u otros materiales que haya almacenado o conservado sobre el producto. Es probable que los datos, software u otros materiales del equipo se pierdan o se reformateen durante el proceso del servicio. Xiaomi no se hace responsable de dichos daños o pérdidas.

Ningún revendedor, representante ni empleado de Xiaomi está autorizado a realizar modificaciones, extensiones ni adiciones a esta Garantía limitada. Si cualquier término se considera ilegal o inaplicable, la legalidad o la aplicabilidad de los términos restantes no se verán afectados ni perjudicados.

Excepto cuando la ley lo prohíba o cuando Xiaomi prometa lo contrario, el servicio posventa quedará limitado al país o región de compra original.

Los productos que no se importaron debidamente y/o que Xiaomi no fabricó debidamente y/o no fueron adquiridos a Xiaomi o a un vendedor oficial de Xiaomi no están cubiertos por las presentes garantías. De acuerdo con la ley aplicable, usted puede beneficiarse de las garantías del minorista no oficial que vendió el producto. Por lo tanto, Xiaomi le invita a que se ponga en contacto con el minorista al que compró el producto.

Las presentes garantías no se aplican en Hong Kong y Taiwán.

5. GARANTÍAS IMPLÍCITAS

Excepto en la medida que lo prohíba la ley aplicable, todas las garantías implícitas (incluidas las garantías de comercialización y adecuación para un fin determinado) estarán limitadas a una duración máxima de hasta la duración límite de esta garantía limitada. Algunas jurisdicciones no permiten las limitaciones en la duración de una garantía implícita, por lo que no se aplicará la limitación anterior en estos casos.

6. LIMITACIÓN DE DAÑOS

Excepto en la medida que lo prohíba la ley aplicable, Xiaomi no será responsable de ningún daño accidental, indirecto, especial o consecuente, incluyendo, entre otros, la pérdida de beneficios, ingresos o datos provocada por cualquier incumplimiento de la garantía expresa o implícita, o condición; o bajo cualquier otra teoría legal, incluso cuando se ha informado a Xiaomi de la posibilidad de



dichos daños. Algunas jurisdicciones no permiten las excepciones ni las limitaciones de daños especiales, indirectos ni consecuentes, por lo que la limitación o exclusión anterior no se aplicará.

7. CONTACTOS DE XIAOMI

Para clientes, visiten la página web <https://www.mi.com/global/support/warranty>

La persona de contacto del servicio posventa puede ser cualquier persona de la red de servicio autorizado de Xiaomi, los distribuidores autorizados de Xiaomi o el vendedor final que vendió los productos. Si tiene alguna duda, póngase en contacto con la persona correspondiente que pueda identificar Xiaomi.





Instruções de segurança

Este produto destina-se apenas a uso doméstico. Leia este manual com atenção antes de utilizar o produto e guarde-o para referência futura.

- Este aparelho pode ser utilizado por crianças a partir de 8 anos e pessoas com capacidades físicas, sensoriais ou mentais reduzidas ou com falta de experiência ou conhecimento, se as mesmas forem corretamente supervisionadas ou instruídas sobre a utilização do aparelho de forma segura e se compreenderem os riscos envolvidos. As crianças não deverão brincar com o aparelho. A limpeza e a manutenção não devem ser executadas por crianças sem supervisão.
- Este aparelho inclui baterias que podem ser substituídas apenas por pessoas competentes.
- O aparelho deve ser utilizado apenas com a fonte de alimentação fornecida.
- Este aspirador destina-se apenas a uso em interiores. Não o utilize ou instale no exterior nem em ambientes comerciais ou industriais.
- Podem ocorrer danos se o aparelho passar por cima do fio de alimentação.
- A ficha tem de ser removida da tomada antes da tarefa de limpeza ou de manutenção do aparelho.
- Para reduzir o risco de incêndio, explosão ou ferimentos, certifique-se de que a fonte de alimentação não está danificada antes de a utilizar. Não utilize o aspirador se o transformador estiver danificado.
- Se o carregador ou a bateria estiverem danificados, devem ser substituídos por um componente original, adquirido ao fabricante ou ao departamento de serviços de pós-venda.
- Certifique-se de que desliga o aspirador antes de limpar ou substituir a escova rotativa.
- A escova de barra elétrica, o cabo de extensão e o aspirador são condutores elétricos e não devem ser mergulhados em água ou noutros líquidos. Certifique-se de que o filtro ou pré-filtro e o pós-filtro estão bem secos após a limpeza.
- Para evitar ferimentos, desligue o aspirador e retire a escova de barra elétrica antes de limpar ou efetuar manutenção. Não utilize o aspirador antes de instalar corretamente a escova de barra elétrica, a tampa do compartimento do pó, o filtro, o pré-filtro e o pós-filtro.
- Verifique periodicamente o cabo de extensão e não o utilize se estiver danificado.
- Não utilize o aspirador para apanhar líquidos inflamáveis ou explosivos, como gasolina, ou outros líquidos como água ou líquidos tóxicos, como lixívia, amoníaco e soda cáustica.
- Não utilize o aspirador para limpar toner utilizado em impressoras e fotocopiadoras, uma vez que o toner pode provocar incêndios ou explosões.
- Não utilize o aspirador para apanhar partículas de gesso, cinzas, como cinzas da lareira, ou materiais inflamáveis ou fumegantes, como carvão, beatas de cigarro ou fósforos.
- Não utilize o aspirador para apanhar objetos afiados ou duros que possam danificar o produto, como vidros, pregos, parafusos ou moedas.
- Não utilize o aspirador para limpar nódos de substâncias oleosas espessas, adesivos fortes ou corantes, como graxa de sapatos, tintas e pigmentos.
- Mantenha roupas largas, cabelos, dedos e outras partes do corpo afastados das aberturas e peças móveis do aspirador.
- Não aponte a abertura de sucção, o cabo de extensão ou outros acessórios para os olhos ou ouvidos, nem coloque os mesmos na boca.
- Não coloque qualquer objeto nas aberturas do aspirador, nem utilize o aspirador com as aberturas bloqueadas. Mantenha o aspirador livre de pó, cotão, cabelos ou outras substâncias que possam reduzir a potência de aspiração do aspirador.
- Não coloque o aspirador sobre objetos instáveis, como cadeiras ou mesas, para evitar danos ou ferimentos provocados pela sua queda.
- Não carregue ou armazene o aspirador perto de fontes de calor ou em áreas húmidas, como radiadores, na cozinha ou em casas de banho.
- Não exponha o aparelho ou a bateria a temperaturas excessivas.
- Atenção ao risco de curto-circuito dos terminais do aparelho alimentado por bateria ou da bateria com objetos metálicos.
- Utilize apenas peças sobresselentes aprovadas pela Xiaomi.
- Em caso de fuga da bateria, evite tocar no líquido e elimine a bateria numa instalação de reciclagem aprovada pelo Governo. Em caso de contacto com os olhos, lave com água em abundância e procure imediatamente um médico.
- Tenha cuidado redobrado ao utilizar o aspirador na limpeza de escadas.
- Aviso de perigo de incêndio: não aplique qualquer tipo de fragrância no pré-filtro e no pós-filtro do aspirador. Este tipo de produtos é conhecido por conter químicos inflamáveis que podem provocar um incêndio no aspirador.
- Siga rigorosamente as instruções neste manual do utilizador para carregar o aspirador a uma temperatura ambiente de 0 °C a 35 °C. O carregamento inadequado poderá resultar em danos na bateria.
- Quando utilizar o aspirador, siga rigorosamente as instruções apresentadas neste manual do utilizador. Os utilizadores são responsáveis por eventuais perdas ou danos que possam resultar do uso indevido do aspirador.
- **AVISO:** utilize apenas a fonte de alimentação fornecida com este aparelho.
- **AVISO:** para recarregar a bateria, utilize apenas a fonte de alimentação amovível fornecida com este aparelho.
- Utilize apenas com a fonte de alimentação BLJ15WJ270050P-V ou AD-D0752700050EU01.

Informação sobre o cumprimento da regulamentação



Declaração de conformidade da UE

A Beijing Shunzao Technology Co., Ltd., pelo presente, declara que este equipamento está em conformidade com as diretivas e normas europeias aplicáveis, e as respetivas alterações. O texto completo da declaração de conformidade da UE está disponível em: <http://www.mi.com/global/service/support/declaration.html>



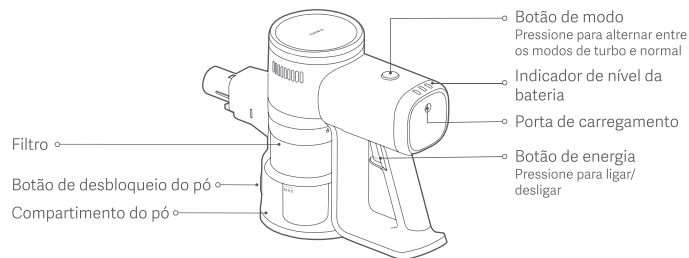
Informações sobre a eliminação e reciclagem de REEE

Todos os produtos que apresentam este símbolo são considerados resíduos de equipamentos elétricos e eletrónicos (REEE, conforme a Diretiva 2012/19/UE), não devendo ser misturados com resíduos domésticos indiscriminados. Em vez disso, o utilizador deve proteger a saúde humana e o meio ambiente e entregar o respetivo equipamento num ponto de recolha designado para reciclagem de resíduos de equipamentos elétricos e eletrónicos, indicado pelo governo ou pelas autoridades locais. A correta eliminação e a reciclagem ajudarão a prevenir eventuais consequências negativas para o meio ambiente e a saúde humana. Para obter mais informações sobre os locais e os termos e condições de tais pontos de recolha, entre em contacto com a entidade responsável pela instalação ou com as autoridades locais.

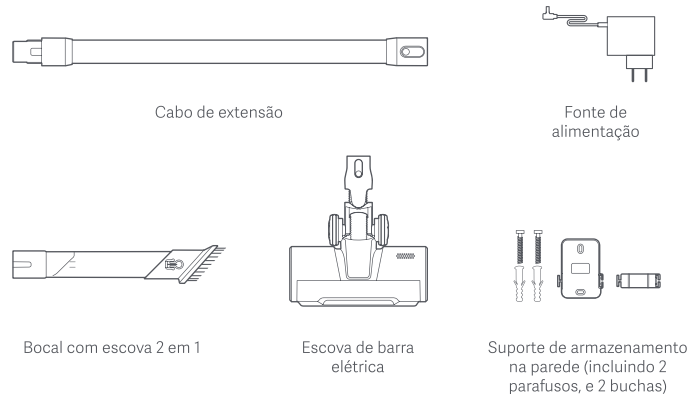


Visão geral do produto

Aspirador



Lista de acessórios



Nota: as ilustrações do produto, os acessórios e a interface de utilizador no manual do utilizador são apenas para referência. O verdadeiro produto e respetivas funções podem variar consoante os melhoramentos.

Como instalar

Instalar os acessórios no aspirador

- Ligar o cabo de extensão ao aspirador e à escova de barra elétrica

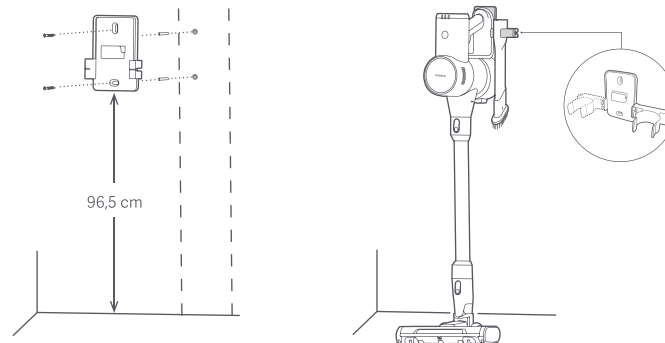


- Ligar o bocal com escova 2 em 1 ao aspirador



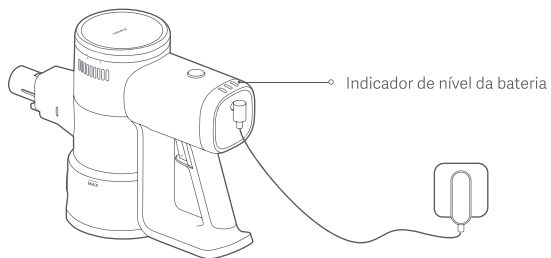
Instalar o suporte de armazenamento na parede

1. Escolha um local fresco e seco com uma tomada elétrica nas proximidades. Antes da instalação, certifique-se de que não existem fios ou tubos na parede precisamente atrás do local onde o suporte será instalado.
2. Recomendamos que a distância entre a parte inferior do suporte de armazenamento na parede e o chão seja 96,5 cm.
3. Segure o suporte de armazenamento na parede na posição pretendida e faça marcas na parede de acordo com os orifícios no suporte.
4. Utilize um berbequim com uma broca de 8 mm para fazer um furo de aproximadamente 40 mm de profundidade em cada uma das posições marcadas. De seguida, insira uma bucha em cada orifício.
5. Alinhe os orifícios de montagem no suporte de armazenamento na parede com os furos na parede e, em seguida, utilize os parafusos fornecidos para fixar o suporte à parede.





Carregamento



Descrição do estado do indicador de nível da bateria

- Desligado
 Intermitente
 Ligado

Em funcionamento

- Bateria fraca
 Bateria praticamente cheia
 Metade da bateria

Carregamento

- Bateria fraca
 Bateria praticamente cheia
 Metade da bateria
 Carga completa

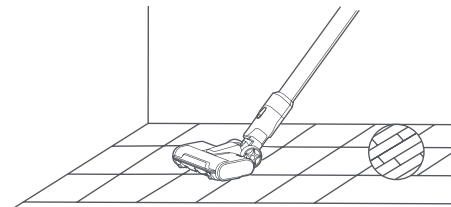
Notas:

- Antes de utilizar o aspirador pela primeira vez, carregue-o completamente. Este processo demora cerca de 5 horas.
- O aspirador não pode ser utilizado durante o carregamento.
- Assim que o aspirador estiver totalmente carregado, o indicador irá desligar-se após 20 segundos. De seguida, o aspirador irá entrar no modo de poupança de energia.
- Aspirar no nível de sucção máximo durante um período prolongado provoca o aquecimento da bateria, o que pode aumentar o tempo de carregamento. Antes de carregar o aspirador, é preferível deixá-lo arrefecer durante 30 minutos.

Como utilizar

Escova de barra elétrica

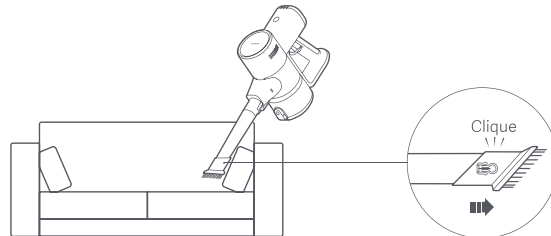
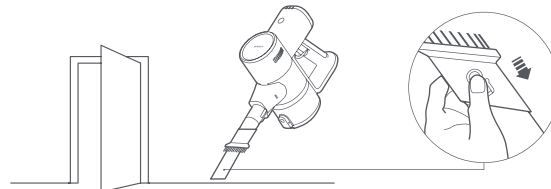
Para limpeza de mármore, madeiras e pisos alcatifados de pelo curto.



Bocal com escova 2 em 1

Adequado para limpar locais com fendas, tais como teclados, cortinas, sofás, tetos, cantos e interiores de automóveis.

Nota: para evitar possíveis riscos para a segurança, não exponha o aspirador à luz solar direta nem o guarde em ambientes com temperaturas elevadas, como o interior de um automóvel no verão.



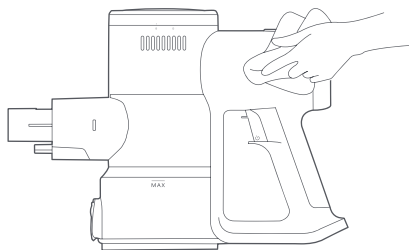
Cuidados e manutenção

PRECAUÇÕES:

- Antes de proceder aos cuidados e à manutenção, desligue a fonte de alimentação e certifique-se de que o aspirador está desligado.
- Utilize sempre peças originais para assegurar o funcionamento normal do aparelho e para que a garantia permaneça válida.
- Se o filtro, o pré-filtro, o pós-filtro, o cabo de extensão ou o bocal com escova 2 em 1 estiverem entupidos, o aspirador deixa de funcionar. Antes de voltar a utilizar o aspirador, desligue-o e limpe a peça entupida.
- A escova de barra deixa de funcionar se ficar entupida, mas o aspirador em si não. Antes de voltar a utilizar o aspirador, desligue-o e limpe a escova de barra.
- Antes de limpar, remova a cabeça da escova do aspirador para evitar que este se ligue acidentalmente, podendo provocar ferimentos.
- Se o aspirador não for utilizado durante um período prolongado, carregue-o completamente e desligue-o da corrente. De seguida, guarde-o num local fresco e com pouca humidade, sem exposição direta à luz solar.
- Para evitar a descarga excessiva da bateria, recarregue o aspirador, pelo menos, uma vez a cada três meses.

Limpar o aspirador

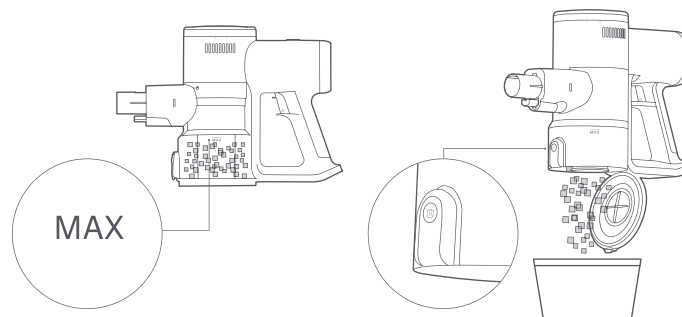
Limpe o aspirador com um pano suave e seco.



Limpar o compartimento do pó

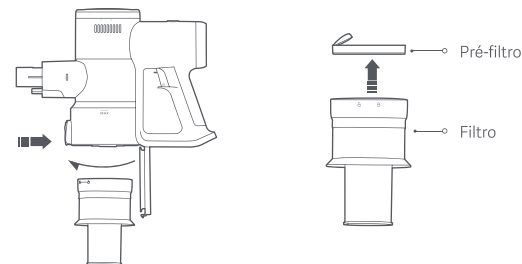
Antes de limpar o compartimento do pó, desligue a fonte de alimentação e remova o cabo de extensão. A capacidade de limpeza do aspirador será reduzida se o compartimento do pó estiver cheio até à marca "MAX". Para restabelecer o desempenho, esvazie o compartimento do pó.

- Esvaziar o compartimento do pó: segure o compartimento do pó sobre um caixote de lixo e, de seguida, prima o botão de desbloqueio do pó para esvaziá-lo.



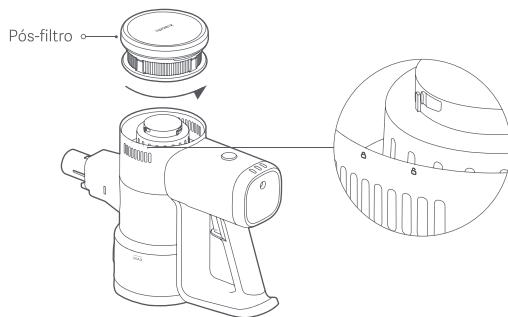
Limpar o conjunto de filtro

1. Prima o botão de desbloqueio do pó para abrir o compartimento do pó, rode o filtro conforme ilustrado para o remover e, em seguida, retire o pré-filtro do filtro.





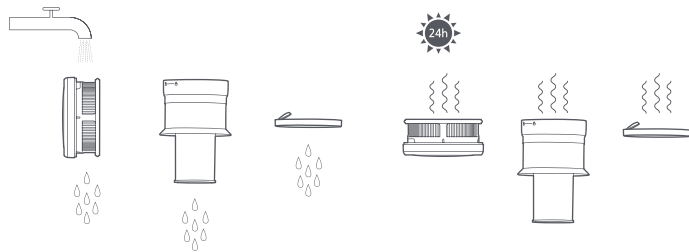
2. Rode o pós-filtro conforme ilustrado para o remover.



3. Lave o filtro, o pré-filtro e o pós-filtro com água corrente até ficarem limpos. De seguida, coloque todas as peças de lado para que sequem completamente durante, pelo menos, 24 horas.

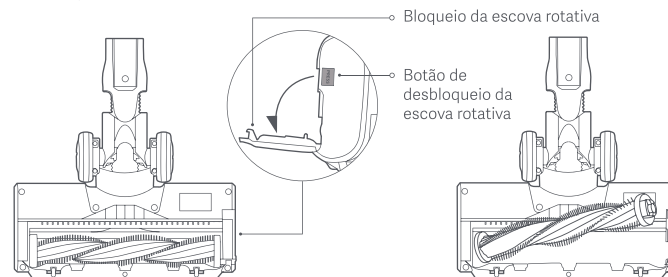
Notas:

- Nunca encharque o filtro, o pré-filtro e o pós-filtro.
- Quando limpar o pós-filtro, enxague-o repetidamente e dê ligeiras batidas na sua extremidade para remover o pó e os detritos até ficar limpo.
- Não limpe o pré-filtro e o pós-filtro com as mãos, uma escova ou um objeto afiado para evitar danos.
- Se o poder de sucção permanecer significativamente reduzido depois de limpar o pré-filtro e o pós-filtro, pode tentar adquirir e substituir estas peças por outras peças originais.



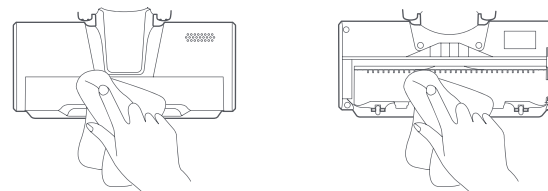
Limpar a escova de barra elétrica

1. Coloque a escova de barra virada ao contrário e prima o botão de desbloqueio da escova rotativa para a remover.

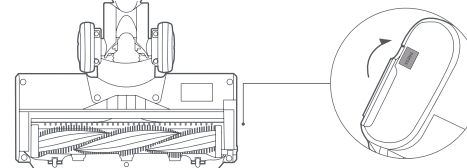


2. Utilize um pano ou uma toalha de papel secos para remover pó e detritos da abertura de sucção e da tampa transparente.

Nota: não utilize água para limpar a escova de barra elétrica, pois tem um motor incorporado.



3. Volte a instalar a escova rotativa e prima o botão de bloqueio para a bloquear na posição certa.





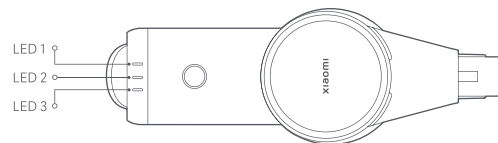
Problema comum

Problema comum	Causa possível	Solução
O aspirador não funciona.	A bateria está descarregada.	Carregue o aspirador antes de utilizar.
	A abertura de sucção, o tubo de ar, o pré-filtro ou o pós-filtro estão bloqueados.	Verifique e limpe imediatamente.
	O filtro, o pré-filtro ou o pós-filtro não estão instalados na posição certa.	Verifique e instale na posição certa.
	A proteção de temperatura da bateria é acionada.	Aguarde até que a temperatura da bateria volte ao normal e retome a utilização.
O poder de sucção é reduzido.	O compartimento do pó está cheio, ou o pré-filtro ou o pós-filtro estão entupidos.	Verifique e limpe imediatamente.
	A cabeça da escova está entupida.	Limpe a cabeça da escova.
Duração da bateria fraca.	A bateria não está completamente carregada.	Carregue o aspirador antes de utilizar.
	O compartimento do pó está cheio, ou o pré-filtro ou o pós-filtro estão entupidos.	Verifique e limpe imediatamente.
	A cabeça da escova está entupida.	Limpe a cabeça da escova.
A escova rotativa não roda.	A escova rotativa tem objetos estranhos presos.	Remova qualquer objeto e, de seguida, retome a utilização.
	A proteção de alta temperatura do motor da escova de barra é acionada.	Aguarde até que a temperatura do motor da escova de barra volte ao normal antes de utilizar.
	Os contactos condutores estão sujos.	Limpe os contactos com um pano macio seco e tente novamente.
Não é possível carregar.	A fonte de alimentação utilizada não é original.	Utilize apenas uma fonte de alimentação original para carregar o aspirador.
A bateria carrega lentamente.	A proteção de temperatura da bateria é acionada.	Aguarde até que a temperatura da bateria volte ao normal e retome a utilização.

Nota: se as soluções não resolverem o problema, contacte a equipa do serviço de pós-venda.

Resolução de problemas

Se o aspirador não estiver a funcionar corretamente, o indicador de nível da bateria exibirá uma mensagem de erro. Consulte a tabela abaixo para resolver o problema.



Mensagem de erro	Causa possível	Solução
O LED 1, o LED 2 e o LED 3 piscam três vezes em simultâneo.	Erro na fonte de alimentação	Utilize apenas uma fonte de alimentação original para carregar o aspirador.
	A proteção de temperatura da bateria é acionada.	Aguarde até que a temperatura do motor da escova de barra volte ao normal antes de utilizar.
	Erro da bateria	Contacte a equipa do serviço de pós-venda
	Erro do sensor de temperatura	
	Erro do motor	
O LED 1 pisca dez vezes.	Bateria descarregada	Utilize apenas uma fonte de alimentação original para carregar o aspirador.

Especificações

Aspirador Xiaomi G20 Lite			
Nome	Aspirador sem fios	Modelo	C203
Tensão nominal	22,2 V ~	Potência nominal	215 W
Tensão de carregamento	27,0 V ~	Peso líquido	2,4 kg
Escova de barra elétrica			
Modelo	C203-DS	Tensão nominal	22,2 V ~
Potência nominal	15 W		
Fonte de alimentação			
Fabricante	Zhongshan Baolijin Electronic Co., Ltd.		
Modelo	BLJ15WJ270050P-V	Eficiência média ativa	85,9%
Entrada nominal	100-240 V ~ 50/60 Hz 0,5 A	Eficiência a baixa carga (10%)	73,2%
Saída nominal	27,0 V ~ 0,5 A 13,5 W	Consumo de energia sem carga	0,09 W
Fabricante	Shenzhen AMC Technology Co., Ltd.		
Modelo	AD-D0752700050EU01	Eficiência média ativa	84,5%
Entrada nominal	100-240 V ~ 50/60 Hz 0,8 A	Eficiência a baixa carga (10%)	75,5%
Saída nominal	27,0 V ~ 0,5 A 13,5 W	Consumo de energia sem carga	0,09 W

Nota: os modelos BLJ15WJ270050P-V e AD-D0752700050EU01 aplicam-se ambos ao aspirador e apenas um é fornecido com a embalagem.

Normas ambientais

O conjunto de baterias de íões de lítio recarregável incorporada neste aspirador contém produtos químicos que podem poluir o ambiente. Antes de descartar o aspirador, remova as baterias e, em seguida, elimine-as num local de reciclagem apropriado.

- A bateria deve ser removida do aparelho antes da sua eliminação.
- Para remover a bateria, o aparelho deve ser desligado da corrente elétrica.
- A bateria deverá ser eliminada de forma segura.

PRECAUÇÕES:

- Certifique-se de que o aspirador está desligado da energia e que as baterias estão completamente descarregadas antes de proceder à sua remoção.
- Entregue as baterias removidas num local de reciclagem profissional para as eliminar corretamente.
- Não deixe as baterias num ambiente de alta temperatura; caso contrário, podem explodir.
- No caso de fugas da bateria, evite o contacto com o líquido. Em caso de contacto com os olhos, lave com água em abundância e procure imediatamente um médico.

Passos para remover a bateria:

1. Retire as tampas traseiras do aspirador e a pega, e retire o microinterruptor da pega.
2. Utilize uma chave de fendas para remover os parafusos do aspirador, depois desligue os fios e retire o conjunto de baterias.
3. Desaperte os dois parafusos acima da placa de circuitos do conjunto de baterias.
4. Remova as tampas superior e inferior da placa de circuitos e do conjunto de baterias, e retire as baterias.



AVISO DE GARANTIA

A PRESENTE GARANTIA CONCEDE-LHE DIREITOS ESPECÍFICOS, PODENDO USUFRUIR DE OUTROS DIREITOS PREVISTOS PELA LEGISLAÇÃO DO SEU PAÍS, PROVÍNCIA OU ESTADO. DE FACTO, NOUTROS PAÍSES, PROVÍNCIAS OU ESTADOS, O DIREITO DOS CONSUMIDORES PODE IMPOR UM PERÍODO DE GARANTIA MÍNIMO. A NÃO SER QUE PERMITIDO POR LEI, A XIAOMI NÃO EXCLUI, LIMITA NEM SUSPENDE OUTROS DIREITOS QUE POSSA TER. PARA UMA COMPREENSÃO COMPLETA DOS SEUS DIREITOS, ACONSELHAMOS QUE CONSULTE A LEGISLAÇÃO DO SEU PAÍS, PROVÍNCIA OU ESTADO.

1. GARANTIA LIMITADA DO PRODUTO

A XIAOMI garante que os Produtos não apresentam quaisquer defeitos nos seus componentes e de fabrico sob condições normais de utilização e de acordo com o respetivo manual do utilizador do Produto durante o Período de Garantia.

Os termos e as condições relacionadas com garantias legais são fornecidas pela respetiva legislação local. Para mais informações sobre as vantagens da garantia do cliente, consulte o site oficial da Xiaomi <https://www.mi.com/global/support/warranty>.

A Xiaomi garante ao comprador original que o seu Produto Xiaomi não apresenta quaisquer defeitos nos seus componentes e de fabrico sob condições normais de utilização durante o período mencionado acima.

A Xiaomi não assegura que o funcionamento do Produto seja contínuo ou sem erros.

A Xiaomi não se responsabiliza por danos resultantes do incumprimento das instruções associadas à utilização do Produto.

2. SOLUÇÕES

Se for encontrado um defeito no hardware e apresentada uma reclamação válida à Xiaomi dentro do Período de Garantia, a Xiaomi (1) reparará o produto sem cobrança adicional; (2) substituirá o Produto; ou (3) efetuará o reembolso do Produto, excluindo potenciais custos de envio.

3. COMO OBTER O SERVIÇO DE GARANTIA

Para obter o serviço de garantia, terá de entregar o Produto na sua embalagem original ou em embalagem semelhante que forneça o mesmo nível de proteção do Produto, na morada especificada pela Xiaomi. Exceto se proibido pela legislação aplicável, a Xiaomi poderá exigir a apresentação de comprovativos ou de provas de compra e/ou o cumprimento de requisitos de registo antes de obter o serviço de garantia.

4. EXCLUSÕES E LIMITAÇÕES

Salvo se estipulado em contrário pela Xiaomi, a presente Garantia Limitada aplica-se apenas ao Produto fabricado por ou para a Xiaomi, que seja identificável pelas marcas registadas, pelo nome comercial ou pelo logótipo "Xiaomi" ou "Mi".

A Garantia Limitada não se aplica a quaisquer (a) danos que resultem de atos da natureza ou causas de força maior, por exemplo, trovoadas, tornados, inundações, incêndios, terremotos ou outras causas externas; (b) casos de negligência; (c) casos de utilização comercial; (d) alterações ou modificações a qualquer parte do Produto; (e) danos causados pela utilização conjunta com produtos que não sejam da Xiaomi; (f) danos causados por acidente, abuso ou má utilização; (g) danos causados pela utilização do Produto para outros fins que não os permitidos ou pretendidos pela Xiaomi ou com voltagem ou fonte de alimentação inadequadas; ou (h) danos causados por atividades de assistência (incluindo atualizações e expansões) desempenhadas por indivíduos que não sejam representantes da Xiaomi.

É da sua responsabilidade efetuar cópias de segurança de quaisquer dados ou outros materiais que possa ter armazenado ou mantido no Produto. É provável que os dados, o software ou outros materiais existentes no equipamento sejam perdidos ou reformatados durante o processo de assistência, pelo que a Xiaomi não se responsabilizará por quaisquer danos ou perdas.

Nenhum revendedor, agente ou funcionário da Xiaomi está autorizado a efetuar qualquer modificação, extensão ou adenda à presente Garantia Limitada. Se algum termo for considerado ilegal ou inexecutável, a legalidade e validade dos restantes termos não deverão ser afetadas nem prejudicadas.

Exceto se proibido pela legislação ou de outra forma prometido pela Xiaomi, os serviços de pós-venda deverão ser limitados ao país ou região da compra original.

Os produtos que não foram devidamente importados e/ou não foram devidamente fabricados pela Xiaomi e/ou não foram devidamente adquiridos à Xiaomi ou a um vendedor oficial da Xiaomi, não se encontram cobertos pelas garantias presentes. Conforme aplicável por lei, pode beneficiar das garantias de um retalhista não oficial que tenha vendido o produto. Assim sendo, a Xiaomi aconselha-o a contactar o retalhista a quem comprou o Produto.

As garantias presentes não se aplicam em Hong Kong nem em Taiwan.

5. GARANTIAS IMPLÍCITAS

Exceto se proibido pela legislação aplicável, todas as garantias implícitas (incluindo garantias de comercialização e adequação a um finalidade específica) serão limitadas à duração máxima da presente garantia limitada. Algumas jurisdições não permitem a imposição de limites na duração de uma garantia implícita, por isso, a limitação acima referida não será aplicada nesses casos.





6. LIMITAÇÃO DE DANOS

Exceto se proibido pela legislação aplicável, a Xiaomi não será responsável por quaisquer danos provocados por acidentes, danos indiretos, especiais ou consequentes, incluindo, sem limitação, danos por eventuais perdas de lucros, rendimentos ou dados, danos resultantes de qualquer violação de garantia ou condição expressa ou implícita ou danos verificados ao abrigo de qualquer teoria legal, mesmo quando a Xiaomi tiver sido informada da possibilidade de tais danos. Algumas jurisdições não permitem a exclusão ou limitação de danos especiais, indiretos ou consequentes, pelo que a limitação acima poderá não ser aplicável no seu caso.

7. CONTACTOS DA XIAOMI

Para clientes, visite o site:<https://www.mi.com/global/support/warranty>

A pessoa de contacto para o serviço de pós-venda pode ser qualquer pessoa na rede de serviços autorizados da Xiaomi, distribuidores autorizados da Xiaomi ou o vendedor final que lhe vendeu os produtos. Em caso de dúvida, contacte a pessoa de contacto identificada pela Xiaomi.



Инструкции по безопасности

Данное изделие предназначено исключительно для бытового использования. Перед использованием внимательно прочтите это руководство. Сохраните его — оно может понадобиться вам в дальнейшем.

- Этим устройством могут пользоваться дети в возрасте от 8 лет, а также лица с ограниченными физическими, сенсорными или умственными способностями или недостаточным опытом и знаниями, если они находятся под присмотром или прошли инструктаж по безопасному использованию устройства и понимают связанные с ним опасности. Дети не должны играть с устройством. Чистку и обслуживание устройства могут проводить дети только в том случае, если она проводится под присмотром.
- Замена аккумуляторов в данном устройстве может производиться только специалистами.
- Устройство должно использоваться только с блоком питания, поставляемым в комплекте.
- Пылесос предназначен для использования только в помещении. Не используйте и не устанавливайте его на улице, а также на объектах коммерческого или промышленного назначения.
- Если устройство наведет на шнур электропитания, может возникнуть угроза безопасности.
- Прежде чем приступить к чистке и техническому обслуживанию устройства, необходимо вынуть вилку из розетки.
- Чтобы снизить риск пожара, взрыва или травм, перед использованием устройства убедитесь, что блок питания не поврежден. Не используйте пылесос, если адаптер питания поврежден.
- Если зарядное устройство или аккумулятор повреждены, замените их оригинальными компонентами, приобретенными у производителя или в отделе послепродажного обслуживания.
- Не забудьте выключить пылесос перед чистой или заменой роликовой щетки.
- Турбощетка, телескопическая трубка и пылесос проводят электрический ток, поэтому их не следует погружать в воду и другие жидкости. После чистки убедитесь, что фильтр, фильтр предварительной очистки и выходной фильтр полностью сухие.
- В целях предотвращения травм перед чистой и техническим обслуживанием отключите пылесос и отсоедините от него турбощетку. Не используйте пылесос, пока турбощетка, крышка пылесборника, фильтр, фильтр предварительной очистки и выходной фильтр не будут установлены должным образом.
- Периодически проверяйте телескопическую трубку и не используйте ее, если она повреждена.
- Не используйте пылесос для сбора легко воспламеняющихся или взрывоопасных жидкостей, например бензина, или других жидкостей, таких как вода или токсичные вещества (например, отбеливатель, нашатырный спирт и средства для прочистки сточных труб).
- Не используйте пылесос для сбора тонера для лазерных принтеров и копировальных аппаратов, так как это может вызвать возгорание или взрыв.
- Не используйте пылесос для сбора частиц гипсокартона, пепла (например, от камин) и дымящихся или горящих материалов (например, угля, окурков или спичек).
- Не используйте пылесос для сбора острых и твердых предметов, таких как стекло, гвозди, винты или монеты, которые могут повредить изделие.
- Не используйте пылесос для очистки пятен от вязких маслянистых веществ, сильных клеящих материалов или красок, таких как крем для обуви, лакокрасочные покрытия и пигменты.
- Не допускайте попадания волос, свободной одежды, пальцев и других частей тела в отверстия и движущиеся части пылесоса.
- Не приближайте отверстие для всасывания, телескопическую трубку и другие аксессуары к глазам и ушам, а также не кладите их в рот.
- Не кладите никакие предметы в отверстия пылесоса и не используйте его, если какое-либо отверстие закупорено. Убирайте пыль, пух, волосы и другой мусор, который может снижать силу всасывания пылесоса.
- Не прислоняйте пылесос к неустойчивым объектам, таким как стулья или столы, во избежание повреждений или травм в результате его падения.
- Не заряжайте и не храните пылесос рядом с источниками тепла (например, возле обогревателей или на кухне) и в местах с повышенной влажностью (например, в ванной комнате).
- Не подвергайте устройство или аккумулятор воздействию чрезмерных температур.
- Помните об опасности короткого замыкания клемм электроприбора или аккумулятора металлическими предметами.
- Используйте только одобренные компанией Xiaomi сменные детали.
- В случае протечки аккумулятора избегайте контакта с жидкостью и утилизируйте аккумулятор на утвержденном правительством предприятии по переработке. В случае попадания жидкости в глаза промойте их обильным количеством воды и немедленно обратитесь за медицинской помощью.
- Будьте особенно осторожны при использовании пылесоса для чистки лестниц.
- Предупреждение об опасности пожара: не наносите никакие ароматизаторы на фильтр предварительной очистки и выходной фильтр пылесоса. Они часто содержат легко воспламеняющиеся химические вещества, из-за которых может произойти возгорание пылесоса.
- Строго следуйте инструкциям данного руководства пользователя по зарядке пылесоса при комнатной температуре от 0 °C до 35 °C. При неправильной зарядке аккумулятор может быть поврежден.
- Используйте пылесос строго в соответствии с инструкциями данного руководства пользователя. Пользователи несут ответственность за любые убытки или ущерб, возникшие в результате неправильной эксплуатации пылесоса.
- **ПРЕДУПРЕЖДЕНИЕ:** используйте только блок питания, поставляемый с этим устройством.
- **ПРЕДУПРЕЖДЕНИЕ:** для зарядки аккумулятора используйте только съемный блок питания, поставляемый с этим устройством.
- Используйте только с блоком питания BLJ15WJ270050P-V.

Транспортировка

- Пылесос следует транспортировать в выключенном состоянии в оригинальной упаковке.
- Импортёр продает этот продукт; информацию об импортёре см. на упаковке.
- Дата изготовления: см. на упаковке
- Сделано в Китае
- Рекомендуемая температура хранения: от 0 °C до 40 °C.
- Это изделие работает при относительной влажности от 0 % до 75 %.
- срок службы 2 лет.
- Правила и условия реализации: без ограничений.



Информация о соответствии требованиям



Декларация о соответствии нормативным требованиям ЕС

Мы, компания Beijing Shunzao Technology Co., Ltd., настоящим заявляем, что данное оборудование соответствует требованиям всех действующих директив ЕС и европейских стандартов с изменениями и дополнениями. Полный текст декларации о соответствии нормативным требованиям ЕС доступен по следующему адресу: <http://www.mi.com/global/service/support/declaration.html>

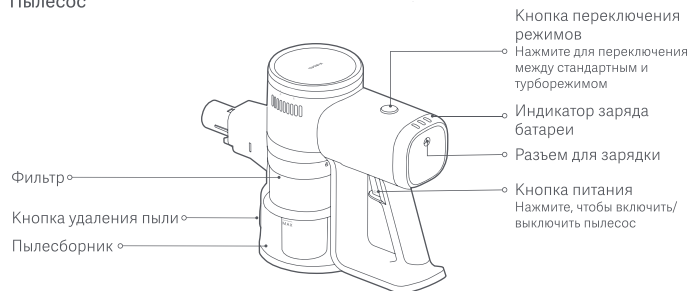


Информация об утилизации и переработке отходов электрического и электронного оборудования

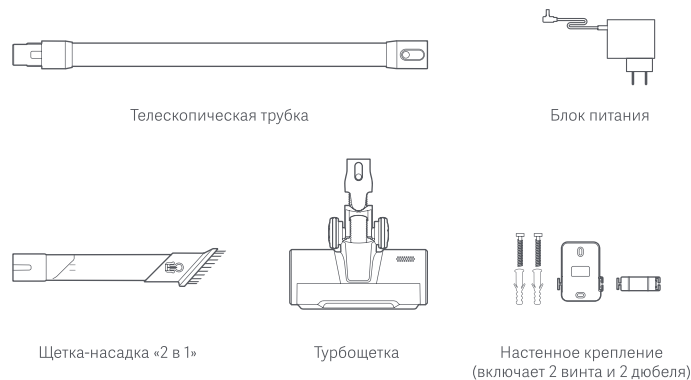
Все изделия, обозначенные символом раздельного сбора отработанного электрического и электронного оборудования (WEEE, директива 2012/19/EU), следует утилизировать отдельно от несортируемых бытовых отходов. С целью охраны здоровья и защиты окружающей среды такое оборудование необходимо сдавать на переработку в специальные пункты приема электрического и электронного оборудования, определенные правительством или местными органами власти. Правильная утилизация и переработка помогут предотвратить возможные негативные последствия для окружающей среды и здоровья человека. Чтобы узнать, где находятся такие пункты сбора и как они работают, обратитесь в компанию, занимающуюся установкой оборудования, или в местные органы власти.

Описание изделия

Пылесос



Список аксессуаров



Примечание: иллюстрации изделия, комплектующих и пользовательского интерфейса в руководстве пользователя представлены исключительно в ознакомительных целях. Фактические характеристики прибора и его функции могут отличаться в связи с улучшениями продукта.

Как установить

Установка аксессуаров на пылесос

- Соединение турбощеточки и телескопической трубки с пылесосом

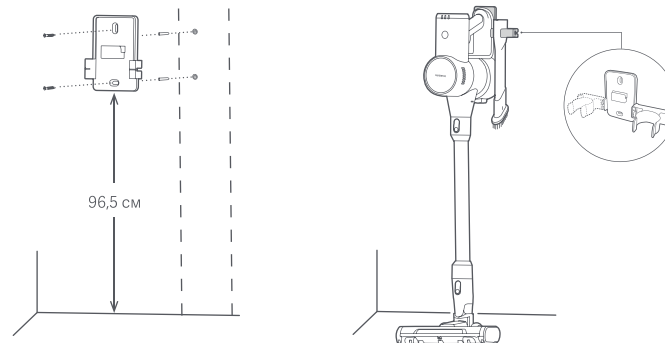


- Соединение щетки-насадки «2 в 1» с пылесосом



Монтаж настенного крепления

- Выберите прохладное сухое место, вблизи которого имеется электрическая розетка. Перед монтажом убедитесь, что в стене непосредственно за местом установки крепления нет никаких проводов и труб.
- Рекомендованное расстояние между нижней частью настенного крепления и полом составляет 96,5 см.
- Удерживая настенное крепление, сделайте отметки на стене, так чтобы они совпадали с отверстиями в креплении.
- При помощи перфоратора со сверлом на 8 мм просверлите отверстия глубиной приблизительно 40 мм в каждом месте, где нанесены соответствующие отметки на стене, а затем вставьте дюбель в каждое отверстие.
- Совместите монтажные отверстия на настенном креплении с отверстиями в стене, а затем с помощью прилагаемых винтов прикрепите крепление к стене.



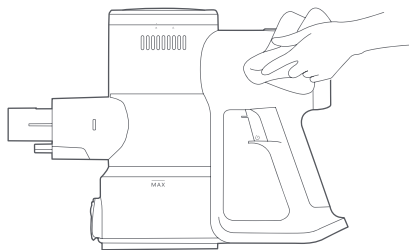
Уход и техническое обслуживание

ПРЕДОСТЕРЕЖЕНИЯ:

- Прежде чем приступить к уходу и техническому обслуживанию, отсоедините блок питания и убедитесь, что пылесос выключен.
- Всегда используйте оригинальные запчасти, чтобы обеспечить нормальную работу пылесоса и сохранить право на обслуживание по гарантии.
- Если фильтр, фильтр предварительной очистки, выходной фильтр, телескопическая трубка или щетка-насадка «2 в 1» засорятся, пылесос перестанет работать. Прежде чем снова использовать пылесос, выключите его и очистите засорившуюся часть.
- Если турбощетка засорится, она перестанет работать, но сам пылесос — нет. Прежде чем снова использовать пылесос, выключите его и прочистите турбощетку.
- Перед чисткой снимите насадку с пылесоса, чтобы предотвратить его случайное включение, которое может привести к травме.
- Если вы не планируете использовать пылесос в течение длительного периода, полностью зарядите его, отключите от розетки и храните в прохладном месте с низкой влажностью вдали от прямых солнечных лучей.
- Во избежание избыточной разрядки аккумулятора заряжайте пылесос как минимум раз в три месяца.

Чистка пылесоса

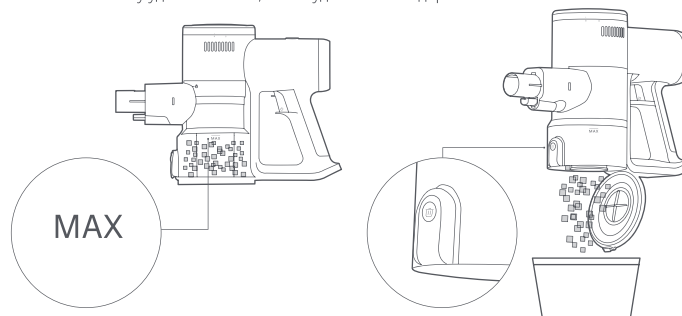
Протрите пылесос мягкой сухой тканью.



Чистка пылесборника

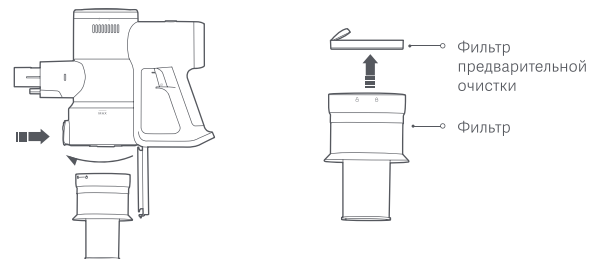
Перед очисткой пылесборника отключите пылесос от блока питания и отсоедините телескопическую трубку. Если пылесборник заполнен до отметки "MAX", эффективность работы пылесоса снижается. Для восстановления эффективности работы необходимо опорожнить пылесборник.

- Чтобы опорожнить пылесборник: удерживая пылесборник над мусорным ведром, нажмите кнопку удаления пыли, чтобы удалить его содержимое.



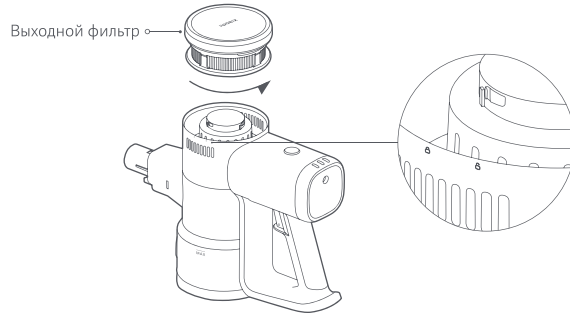
Очистка блока фильтра

1. Нажмите кнопку удаления пыли, чтобы открыть пылесборник, поверните фильтр, как показано на рисунке, чтобы снять его, затем извлеките фильтр предварительной очистки.





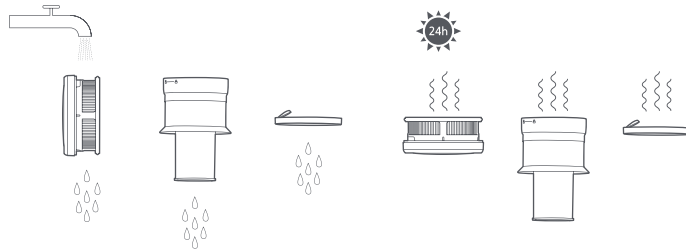
2. Поверните выходной фильтр, как показано на рисунке, чтобы снять его.



3. Промойте фильтр, фильтр предварительной очистки и выходной фильтр под проточной водой, пока они не станут чистыми, затем отложите их в сторону, чтобы они полностью высогли, хотя бы на 24 часа.

Примечания:

- Никогда не погружайте фильтр, фильтр предварительной очистки и выходной фильтр в воду.
- Во время чистки выходного фильтра несколько раз промойте его и слегка постучите по его краю, чтобы удалить пыль и мусор, пока он не станет чистым.
- Не чистите фильтр предварительной очистки и выходной фильтр руками, щеткой или острыми предметами, чтобы не повредить их.
- Если после чистки фильтра предварительной очистки и выходного фильтра мощность всасывания по-прежнему значительно снижена, можно попробовать приобрести и заменить их на оригинальные.



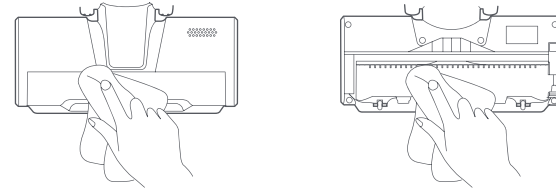
Чистка турбощетки

1. Переверните турбощетку вверх дном и нажмите кнопку деблокировки роликовой щетки, чтобы освободить роликовую щетку и снять ее.

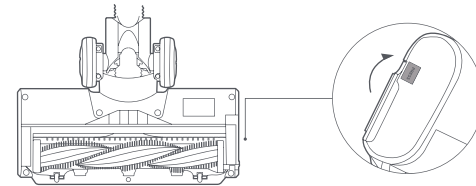


2. Удалите пыль и мусор с всасывающего отверстия и прозрачной крышки при помощи сухой ткани или бумажного полотенца.

Примечание: не очищайте турбощетку водой, поскольку она оснащена встроенным электродвигателем.



3. Установите роликовую щетку на место и нажмите на фиксатор, чтобы зафиксировать ее на месте.



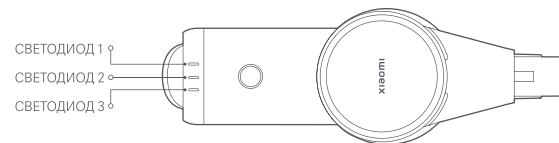
Распространенная проблема

Распространенная проблема	Возможная причина	Решение
Пылесос не работает.	Аккумулятор разряжен.	Зарядите пылесос перед использованием.
	Всасывающее отверстие, воздуховод, фильтр предварительной очистки или выходной фильтр засорились.	Немедленно проверьте и почистите.
	Фильтр, фильтр предварительной очистки или выходной фильтр установлены неправильно.	Проверьте и установите в правильное положение.
	Сработала защита аккумулятора от перегрева.	Подождите, пока температура аккумулятора не нормализуется, а затем продолжите использование.
Снизилась сила всасывания.	Пылесборник переполнен, либо фильтр предварительной очистки или выходной фильтр засорились.	Немедленно проверьте и почистите.
	Насадка засорена.	Почистите насадку.
Аккумулятор быстро разряжается.	Аккумулятор не полностью заряжен.	Зарядите пылесос перед использованием.
	Пылесборник переполнен, либо фильтр предварительной очистки или выходной фильтр засорились.	Немедленно проверьте и почистите.
	Насадка засорена.	Почистите насадку.
Роликовая щетка не вращается.	Вращение роликовой щетки заблокировано посторонними предметами.	Удалите посторонние предметы, а затем продолжите использование.
	Сработала защита двигателя турбощетки от перегрева.	Подождите, пока температура двигателя турбощетки не нормализуется, а затем продолжите использование.
	Проводящие контакты загрязнены.	Протрите контакты мягкой сухой тканью и повторите попытку.
Не удается зарядить.	Используемый блок питания не является оригинальным.	Используйте только оригинальный блок питания для зарядки пылесоса.
Аккумулятор медленно заряжается.	Сработала защита аккумулятора от перегрева.	Подождите, пока температура аккумулятора не нормализуется, а затем продолжите использование.

Примечание: если указанные выше методы решения не позволяют устранить проблему, обратитесь в службу послепродажного обслуживания.

Устранение неполадок

Если пылесос не работает надлежащим образом, индикатор заряда батареи отобразит код ошибки. Для устранения неполадки см. таблицу ниже.



Код ошибки	Возможная причина	Решение
Светодиод 1, светодиод 2 и светодиод 3 мигнут три раза одновременно.	Ошибка блока питания	Используйте только оригинальный блок питания для зарядки пылесоса.
	Сработала защита аккумулятора от перегрева.	Подождите, пока температура двигателя турбощетки не нормализуется, а затем продолжите использование.
	Ошибка элемента аккумулятора	Свяжитесь со службой послепродажного обслуживания
	Ошибка датчика температуры	
Ошибка двигателя		
Светодиод 1 мигнет десять раз.	Аккумулятор разряжен	Используйте только оригинальный блок питания для зарядки пылесоса.

Технические характеристики

Пылесос Xiaomi Vacuum Cleaner G20 Lite			
Название	Беспроводной пылесос	Модель	C203
Номинальное напряжение	22,2 В ---	Номинальная мощность	215 Вт
Напряжение зарядки	27,0 В ---	Вес нетто	2,4 кг
Турбощетка			
Модель	C203-DS	Номинальное напряжение	22,2 В ---
Номинальная мощность	15 Вт		
Блок питания			
Производитель	Zhongshan Baolijin Electronic Co., Ltd.		
Модель	BLJ15WJ270050P-V	Средний КПД в активном состоянии	85,9 %
Номинальная мощность	100–240 В ~ 50/60 Гц 0,5 А	КПД при низкой нагрузке (10 %)	73,2 %
Номинальная выходная мощность	27,0 В --- 0,5 А 13,5 Вт	Энергопотребление без нагрузки	0,09 Вт

Информация об утилизации

Встроенная литий-ионная аккумуляторная батарея этого пылесоса содержит химические вещества, которые могут загрязнять окружающую среду. Перед утилизацией пылесоса извлеките аккумулятор и сдайте его в утилизацию в подходящий пункт переработки.

- Аккумулятор необходимо извлечь из устройства до его утилизации.
- Перед извлечением аккумулятора устройство следует отключить от сети питания.
- Аккумулятор должен быть утилизирован безопасным способом.

ПРЕДОСТЕРЕЖЕНИЯ:

- Перед извлечением аккумулятора отсоедините пылесос от источника питания и убедитесь, что аккумулятор полностью разряжен.
- Отнесите извлеченный аккумулятор в специализированный пункт переработки для его правильной утилизации.
- Запрещено оставлять аккумулятор в местах с высокой температурой окружающей среды, так как это может привести к его взрыву.
- При утечке веществ из аккумулятора избегайте контакта с вытекшей жидкостью. В случае попадания жидкости в глаза промойте их обильным количеством воды и немедленно обратитесь за медицинской помощью.

Порядок извлечения аккумулятора:

1. Снимите заднюю крышку пылесоса и ручку, а затем снимите с ручки микропереключатель.
2. С помощью отвертки открутите винты в пылесосе, затем отсоедините провода и извлеките блок аккумуляторной батареи.
3. Отвинтите два винта над печатной платой блока аккумуляторной батареи.
4. Снимите верхнюю и нижнюю крышки с печатной платы и аккумуляторной батареи и извлеките аккумулятор.



ГАРАНТИЙНОЕ УВЕДОМЛЕНИЕ

НАСТОЯЩАЯ ГАРАНТИЯ ДАЕТ ВАМ ОПРЕДЕЛЕННЫЕ ПРАВА, А В ЗАВИСИМОСТИ ОТ ЗАКОНОДАТЕЛЬСТВА ВАШЕЙ СТРАНЫ, ПРОВИНЦИИ ИЛИ ШТАТА ОНИ МОГУТ БЫТЬ БОЛЕЕ ШИРОКИМИ. В НЕКОТОРЫХ СТРАНАХ, ПРОВИНЦИЯХ И ШТАТАХ ЗАКОНОМ О ЗАЩИТЕ ПРАВ ПОТРЕБИТЕЛЕЙ ПРЕДУСМОТРЕН МИНИМАЛЬНЫЙ ГАРАНТИЙНЫЙ СРОК. КОМПАНИЯ XIAOMI НЕ ИСКЛЮЧАЕТ, НЕ ОГРАНИЧИВАЕТ И НЕ ПРИОСТАНАВЛИВАЕТ ОСУЩЕСТВЛЕНИЕ ДРУГИХ ВАШИХ ЗАКОННЫХ ПРАВ. РЕКОМЕНДУЕМ ОЗНАКОМИТЬСЯ С ЗАКОНАМИ ВАШЕЙ СТРАНЫ, ПРОВИНЦИИ ИЛИ ШТАТА ДЛЯ ПОЛНОГО ПОНИМАНИЯ СВОИХ ПРАВ.

1. ОГРАНИЧЕННАЯ ГАРАНТИЯ НА ПРОДУКТ

Компания Xiaomi гарантирует, что материалы и качество продуктов исключают возникновение дефектов при условии их нормального использования в соответствии с руководством по эксплуатации в течение гарантийного срока.

Продолжительность и условия правовых гарантий представлены в соответствующих местных законах. Дополнительные сведения о преимуществах гарантий для потребителей см. на официальном веб-сайте Xiaomi <https://www.mi.com/global/support/warranty>.

Компания Xiaomi гарантирует первоначальному покупателю, что материалы и качество ее продуктов исключают возникновение дефектов при условии их нормального использования в течение вышеуказанного периода.

Xiaomi не гарантирует, что работа продукта будет бесперебойной или безошибочной.

Xiaomi не несет ответственности за убытки, понесенные в результате несоблюдения инструкций по использованию продукта.

2. СРЕДСТВА ПРАВОВОЙ ЗАЩИТЫ

Если обнаружен дефект оборудования и компания Xiaomi получила обоснованную претензию в течение гарантийного периода, Xiaomi обязуется (1) выполнить ремонт продукта бесплатно, (2) заменить изделие или (3) возместить стоимость продукта, исключая возможные расходы по доставке.

3. КАК ПОЛУЧИТЬ ГАРАНТИЙНОЕ ОБСЛУЖИВАНИЕ

Чтобы получить гарантийное обслуживание, вы должны доставить продукт в оригинальной или аналогичной упаковке, обеспечив равную степень защиты продукта, по адресу, указанному Xiaomi. Компания Xiaomi вправе потребовать предоставить доказательства или доказательство покупки и (или) выполнить требования регистрации перед получением гарантийного обслуживания, если иное не предусмотрено законодательством.

4. ИСКЛЮЧЕНИЯ И ОГРАНИЧЕНИЯ

Эта ограниченная гарантия распространяется только на продукт, изготовленный компанией Xiaomi или для нее и содержащий ее товарные знаки, торговое наименование или логотип «Xiaomi» либо «Mi», если иное не предусмотрено компанией Xiaomi.

Ограниченная гарантия не распространяется на (а) повреждения в результате стихийных бедствий, например, удара молнии, смерча, наводнения, пожара, землетрясения или других экологических факторов; (б) следствия халатности; (в) коммерческое использование; (г) внесенные изменения или модификации любой части продукта; (д) повреждения, вызванные использованием продуктов других производителей; (е) повреждения в результате несчастного случая, злоупотребления или неправильного использования; (ж) повреждения, вызванные применением продукта за пределами разрешенного или допустимого использования, описанного Xiaomi, а также в результате несоответствующего напряжения или питания; (з) повреждения из-за обслуживания (включая обновления и расширения) лицом, не являющимся представителем компании Xiaomi.

Создание резервной копии данных, программного обеспечения и других материалов, которые вы можете хранить на продукте, является вашей ответственностью. Компания Xiaomi не несет ответственности за потерю или переформатирование данных, программного обеспечения и других материалов, содержащихся в оборудовании, в процессе эксплуатации.

Ни один реселлер, агент или сотрудник компании Xiaomi не уполномочен вносить изменения или дополнения в настоящую гарантию. Если какое-либо условие окажется незаконным или юридически недействительным, законность или исполнимость остальных положений не должна быть затронута или нарушена.

Послепродажное обслуживание осуществляется в стране или регионе покупки, за исключением случаев, запрещенных законом, или если иное предусмотрено компанией Xiaomi.

Настоящая гарантия не покрывает продукты, которые не были должным образом импортированы, были изготовлены не компанией Xiaomi и (или) приобретены не у Xiaomi либо ее официального представителя. Согласно действующему законодательству, вы можете рассчитывать на гарантии от официального дистрибьютора, который продал продукт. Поэтому компания Xiaomi предлагает обращаться к продавцу, у которого вы приобрели продукт.

Настоящая гарантия не распространяется на Гонконг и Тайвань.

5. ПОДРАЗУМЕВАЕМЫЕ ГАРАНТИИ

За исключением случаев, запрещенных законодательством, подразумеваемые гарантии (включая гарантии товарного состояния и пригодности для конкретной цели) имеют ограниченный



срок действия, который не может превышать срок действия настоящей ограниченной гарантии. В некоторых юрисдикциях не допускается ограничение срока действия подразумеваемой гарантии. В таких случаях указанное ограничение не применяется.

6. ОГРАНИЧЕНИЕ ПОВРЕЖДЕНИЯ

За исключением случаев, запрещенных законодательством, компания Xiaomi не несет ответственности за повреждения в результате ДТП, косвенных, специальных или последующих повреждений, включая потерю прибыли, доходов или данных, убытки, возникшие в результате нарушения явных или подразумеваемых гарантий или условий, или по любой другой законной теории, даже если компания Xiaomi была предупреждена о возможности таких повреждений. В некоторых юрисдикциях не допускается исключение или ограничение ответственности за специальные, косвенные или последующие убытки. В таких случаях указанные выше ограничения не применяются.

7. КОНТАКТЫ КОМПАНИИ XIAOMI

Подробную информацию для клиентов см. на сайте <https://www.mi.com/global/support/warranty>

Контактным лицом для послепродажного обслуживания может быть любое лицо из авторизованной сервисной сети Xiaomi, авторизованный дистрибьютор Xiaomi или продавец, у которого вы приобрели продукт. Если у вас возникли какие-либо вопросы, обратитесь к соответствующему лицу в компании Xiaomi.



Instrukcje dotyczące bezpieczeństwa

Produkt ten jest przeznaczony wyłącznie do użytku domowego. Przed rozpoczęciem korzystania z produktu należy dokładnie zapoznać się z niniejszą instrukcją i zachować ją na przyszłość.

- Ten produkt może być używany przez dzieci w wieku powyżej 8 lat oraz osoby o ograniczonych zdolnościach ruchowych, postrzegania lub umysłowych, a także przez osoby bez doświadczenia ze sprzętem bądź z brakiem wiedzy na jego temat, jeśli odbywa się to pod nadzorem lub zgodnie z instrukcją użytkowania sprzętu w bezpieczny sposób i ze zrozumieniem występujących zagrożeń. Dzieci nie powinny bawić się urządzeniem. Czyszczenie i konserwacja nie mogą być przeprowadzane przez dzieci bez nadzoru.
- To urządzenie zawiera akumulator, który może być wymieniany jedynie przez wykwalifikowane osoby.
- Urządzenie należy stosować wyłącznie z zasilaczem zawartym w zestawie.
- Odkurzacz jest przeznaczony tylko do użytku w pomieszczeniach. Nie należy go instalować na zewnątrz, a także w środowiskach przemysłowych ani komercyjnych.
- Urządzenie przejeżdżające po kablu zasilającym może spowodować niebezpieczeństwo.
- Przed przystąpieniem do czyszczenia lub konserwacji urządzenia należy wyjąć wtyczkę z gniazda zasilania.
- Aby zmniejszyć ryzyko pożaru, wybuchu lub obrażeń ciała, przed użyciem należy upewnić się, że zasilacz nie jest uszkodzony. Jeśli zasilacz uległ uszkodzeniu, nie należy używać odkurzacza.
- W przypadku uszkodzenia ładowarki lub akumulatora należy wymienić je na oryginalne części zakupione u producenta lub w serwisie posprzedażnym.
- Przed czyszczeniem lub wymianą szczotki z wulkaniem należy wyłączyć odkurzacz.
- Elektryczna ssawko-szczotka, przedłużenie i odkurzacz przewodzą prąd, dlatego nie wolno zanurzać ich w wodzie lub innym płynie. Po zakończeniu czyszczenia należy upewnić się, że filtr, filtr wstępny i filtr końcowy są całkowicie suche.
- Aby uniknąć obrażeń ciała, należy wyłączyć odkurzacz i zdjąć elektryczną ssawko-szczotkę przed czyszczeniem i konserwacją. Nie wolno używać odkurzacza przed zamontowaniem elektrycznej ssawko-szczotki, pokrywy pojemnika na kurz, filtra, filtra wstępnego i filtra końcowego.
- Okresowo sprawdzać przedłużenie i nie używać go, jeśli jest uszkodzone.
- Nie używać odkurzacza do zbierania łatwopalnych lub wybuchowych płynów, takich jak benzyna, ani innych płynów, np. wody, lub toksycznych płynów, np. wybielaczy, amoniaku i środków do czyszczenia kanalizacji.
- Nie należy używać odkurzacza do sprzątania tonera używanego w drukarkach laserowych i kopiarkach, ponieważ toner może spowodować pożar lub wybuch.
- Nie wolno używać odkurzacza do zbierania resztek płyt kartonowo-gipsowych, popiołu (np. popiołu z kominka) ani tłuczyci się lub płynących materiałów, takich jak węgiel, niedopałki papierosów lub zapalki.
- Nie należy używać odkurzacza do zbierania ostrych lub twardych przedmiotów, takich jak szkło, gwoździe, śruby lub monety. Mogą one uszkodzić produkt.
- Nie należy używać odkurzacza do czyszczenia płam z gęstych substancji olejowych, mocnych klejów lub barwników, takich jak pasta do butów, farby i pigmenty.
- Włosy, luźne elementy odzieży, palce i inne części ciała należy trzymać z dala od otworów i ruchomych elementów odkurzacza.
- Nie należy kierować otworu ssącego, przedłużenia lub innych akcesoriów w stronę oczu lub uszu ani wkładać ich do ust.
- Nie należy wkładać żadnych przedmiotów do otworów odkurzacza ani używać odkurzacza z zatkany otworem. Należy oczyścić odkurzacz z kurzu, włókien, włosów i innych przedmiotów, które mogą ograniczać siłę ssącą odkurzacza.
- Nie umieszczać odkurzacza na niestabilnych przedmiotach, takich jak krzesła lub stoły, aby zapobiec uszkodzeniu lub urazom ciała powstałym na skutek upadku.
- Nie należy ładować ani przechowywać odkurzacza w pobliżu źródeł ciepła oraz w wilgotnych pomieszczeniach, np. obok grzejnika, w kuchni lub łazience.
- Nie wystawiać urządzenia ani akumulatora na działanie nadmiernej temperatury.
- Należy pamiętać o ryzyku, jakie stwarzają zaciski urządzenia zasilanego akumulatorowo lub o ryzyku zwarcia akumulatora spowodowanego metalowymi przedmiotami.
- Należy stosować wyłącznie części zamienne zatwierdzone przez Xiaomi.
- W przypadku wycieku z akumulatora należy unikać kontaktu z płynem i oddać akumulator do autoryzowanego zakładu recyklingu. W przypadku kontaktu z oczami przemyć dużą ilością wody i niezwłocznie zasięgnąć porady lekarza.
- Należy zachować szczególną ostrożność podczas używania odkurzacza do sprzątania schodów.
- Ostrzeżenie o zagrożeniu pożarem: Nie wolno używać płynów zapachowych do filtra wstępnego i filtra końcowego odkurzacza. Tego typu produkty zawierają łatwopalne substancje chemiczne, które mogą spowodować zapalenie się odkurzacza.
- Należy ściśle przestrzegać zaleceń z tej instrukcji obsługi i ładować odkurzacz w temperaturze otoczenia od 0°C do 35°C. Nie właściwe ładowanie może spowodować uszkodzenie akumulatora.
- Podczas korzystania z odkurzacza należy ściśle przestrzegać wskazówek zawartych w niniejszej instrukcji obsługi. Użytkownicy są odpowiedzialni za wszelkie straty lub szkody wynikające z niewłaściwego użytkowania odkurzacza.
- OSTRZEŻENIE:** Używać wyłącznie zasilacza dostarczonego z tym urządzeniem.
- OSTRZEŻENIE:** Do ładowania akumulatora należy używać wyłącznie odłączonego zasilacza dostarczonego wraz z urządzeniem.
- Należy użytkować wyłącznie z zasilaczem BLJ15WJ270050P-V lub AD-D075270050EU01.

Informacje dotyczące zgodności z przepisami



Deklaracja zgodności UE

Niniejszym firma Beijing Shunzao Technology Co., Ltd. deklaruje zgodność produktu z wymogami odpowiednich dyrektyw oraz norm europejskich wraz ze zmianami. Pełny tekst deklaracji zgodności UE jest dostępny na następującej stronie internetowej: <http://www.mi.com/global/service/support/declaration.html>

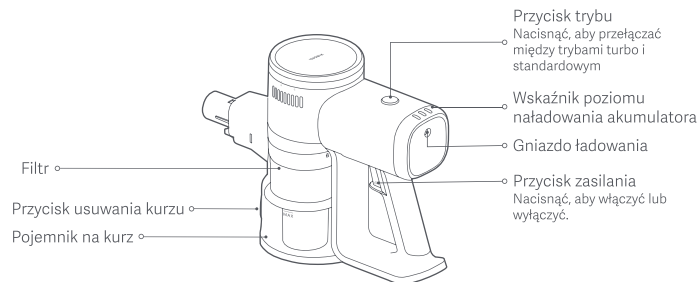


Informacje dotyczące utylizacji i recyklingu WEEE

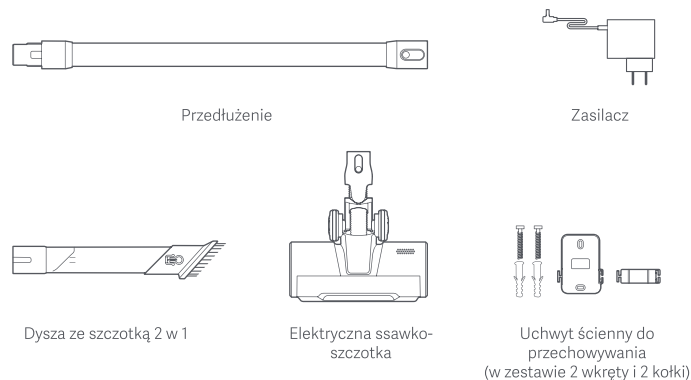
Wszystkie produkty oznaczone tym symbolem są uznane za odpady sprzętu elektrycznego i elektronicznego (WEEE zgodnie z Dyrektywą 2012/19/UE) i nie mogą być wyrzucane po zakończeniu okresu użytkowania wraz z innymi odpadami. W celu ochrony zdrowia ludzi oraz środowiska naturalnego należy przekazać zużyty sprzęt do wyznaczonego punktu utylizacji wyznaczonego przez instytucje rządowe lub lokalne. Prawidłowe usunięcie zużytego produktu pomaga w zapobieganiu potencjalnym negatywnym skutkom oddziaływania na środowisko naturalne i zdrowie ludzi. Więcej informacji można uzyskać w urzędzie lokalnym lub od instalatora.

Przegląd produktu

Odkurzacz



Lista akcesoriów



Uwaga: Ilustracje produktu, akcesoriów i interfejsu użytkownika przedstawione w niniejszej instrukcji obsługi służą jedynie jako odniesienie. Rzeczywisty produkt i funkcje mogą różnić się od przedstawionych w związku z ulepszeniami produktu.

Jak zainstalować

Montaż akcesoriów na odkurzaczu

- Łączenie przedłużenia z odkurzaczem i elektryczną ssawko-szczotką

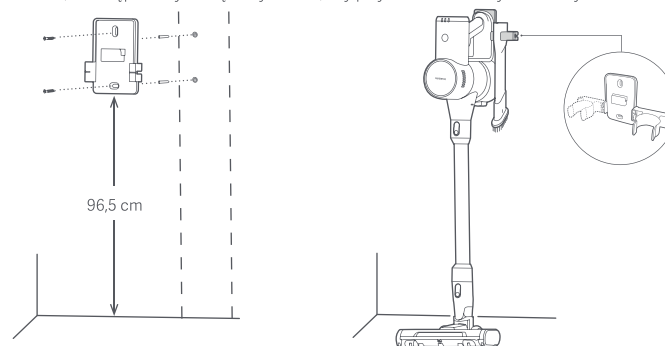


- Łączenie dyszy ze szczotką 2 w 1 z odkurzaczem



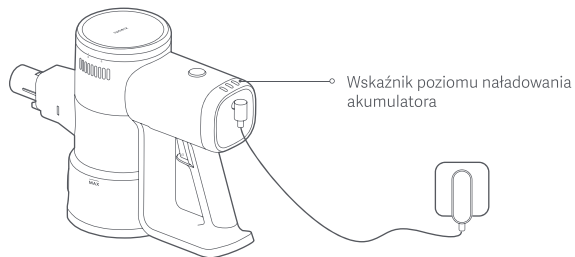
Montaż uchwytu ściennego do przechowywania

1. Wybierz chłodne i suche miejsce, w pobliżu którego jest gniazdko elektryczne. Przed montażem należy upewnić się, że w ścianie, bezpośrednio za miejscem montowania uchwytu, nie są poprowadzone żadne rury ani przewody.
2. Odległość między dolną stroną uchwytu ściennego do przechowywania a podłożem powinna wynosić 96,5 cm.
3. Przytrzymać uchwyt ścienny do przechowywania w odpowiedniej pozycji i zaznaczyć na ścianie otwory, aby pokrywały się z otworami w uchwycie.
4. Użyć wiertarki elektrycznej z wiertłem 8 mm, aby wywiercić otwór o głębokości około 40 mm w każdym miejscu zaznaczonym punkcie, a następnie włożyć kołek rozporowy do każdego otworu.
5. Wyrównać otwory montażowe na uchwycie ściennym do przechowywania z otworami na ścianie, a następnie użyć dołączonych śrub, aby przymocować uchwyt do ściany.





Ładowanie



Opis stanu wskaźnika poziomu naładowania akumulatora

● Wyl. ☀ Miga ○ Wl.

Działanie

○	●	●	Niski poziom naładowania akumulatora	○	○	○	Niemal naładowany
○	○	●	Akumulator naładowany w połowie				

Ładowanie

☀	●	●	Niski poziom naładowania akumulatora	○	○	☀	Niemal naładowany
○	☀	●	Akumulator naładowany w połowie	○	○	○	Pełne naładowanie

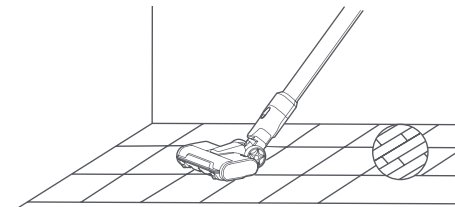
Uwagi:

- Przed pierwszym użyciu odkurzacza należy go w pełni naładować. Zajmie to około 5 godzin.
- Odkurzacze nie mogą być używane podczas ładowania.
- Po całkowitym naładowaniu odkurzacza wskaźnik wyłączy się po 20 sekundach, a odkurzacze przejdzie w tryb oszczędzania energii.
- Odkurzanie przez dłuższy czas przy najwyższym poziomie siły ssącej spowoduje nagrzanie się akumulatora, co może wydłużyć czas jego ładowania. Przed naładowaniem odkurzacza najlepiej jest pozwolić, aby ostygł przez 30 minut.

Jak używać

Elektryczna ssawko-szczotka

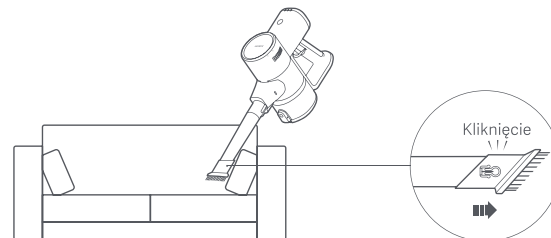
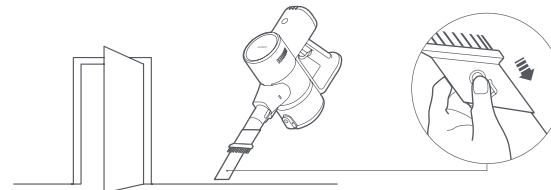
Do czyszczenia podłóg z marmuru, drewna i wykładzin z krótkim włosiem.



Dysza ze szczotką 2 w 1

Odpowiedni do czyszczenia miejsc, w których są szczeliny, takie jak klawiatury, zasłony, sofy, sufity, narożniki i wnętrza samochodów.

Uwaga: Aby uniknąć potencjalnych zagrożeń bezpieczeństwa, nie należy wystawiać odkurzacza na bezpośrednie działanie promieni słonecznych ani przechowywać go w miejscach o wysokiej temperaturze, takich jak wnętrze samochodu latem.



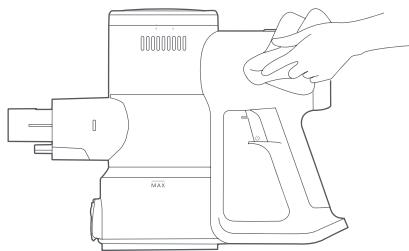
Dbanie o urządzenie i konserwacja

OSTRZEŻENIA:

- Przed konserwacją lub pielęgnacją należy odłączyć zasilanie i upewnić się, że odkurzacz jest wyłączony.
- Zawsze używać oryginalnych części, aby zapewnić normalne działanie i zachować ważność gwarancji.
- Jeśli filtr, filtr wstępny, filtr końcowy, przedłużenie lub dysza ze szczotką 2 w 1 zostaną zatkane, odkurzacz przestanie działać. Przed ponownym użyciem odkurzacza należy go wyłączyć i odetkać odpowiednią część.
- Jeśli ssawko-szczotka zablokuje się, przestanie działać, ale odkurzacz będzie działał. Przed ponownym użyciem odkurzacza należy go wyłączyć i wyczyścić ssawko-szczotkę.
- Przed czyszczeniem wyjąć głowicę szczotki z odkurzacza, aby zapobiec przypadkowemu włączeniu odkurzacza, co może spowodować obrażenia.
- Jeśli odkurzacz nie będzie używany przez dłuższy czas, należy naładować go do pełna i odłączyć od zasilania, a następnie przechowywać w chłodnym miejscu o niskiej wilgotności, z dala od bezpośredniego światła słonecznego.
- Aby uniknąć nadmiernego rozładowania akumulatora, należy ładować odkurzacz co najmniej raz na trzy miesiące.

Czyszczenie odkurzacza

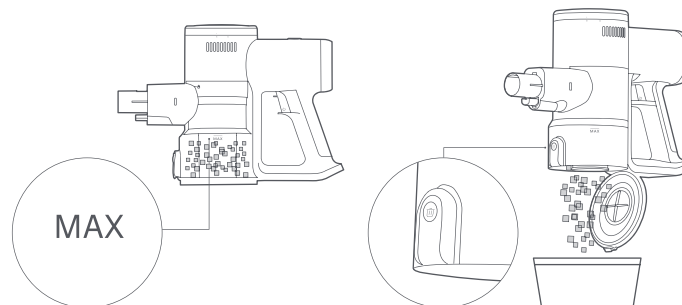
Przetrzeć odkurzacz czystą, suchą ściereczką.



Czyszczenie pojemnika na kurz

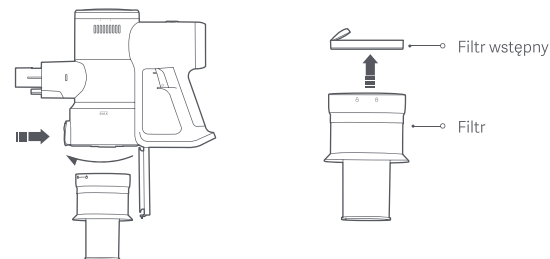
Przed czyszczeniem pojemnika na kurz odłączyć zasilanie i wyjąć przedłużacz. Wyładność odkurzacza spadnie, gdy pojemnik na kurz zostanie wypełniony do znacznika „MAX”. Aby przywrócić jego wydajność, należy opróżnić pojemnik na kurz.

- Opróżnianie pojemnika na kurz: Przytrzymać pojemnik na kurz nad koszem na śmieci, a następnie nacisnąć przycisk usuwania kurzu, aby usunąć zawartość.



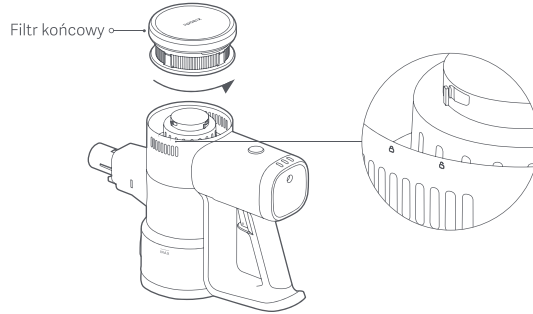
Czyszczenie zespołu filtra

1. Nacisnąć przycisk usuwania kurzu, aby otworzyć pojemnik na kurz, obrócić filtr zgodnie z ilustracją, aby go wyjąć, a następnie zdjąć z niego filtr wstępny.





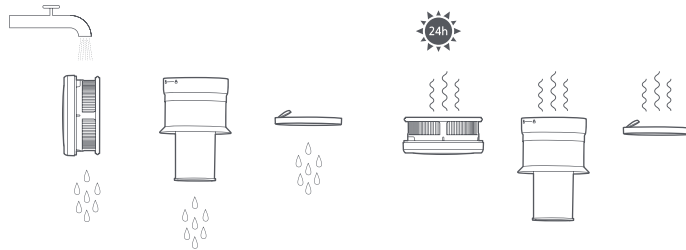
2. Obrócić filtr końcowy zgodnie z ilustracją, aby go wyjąć.



3. Wypłukać filtr, filtr wstępny i filtr końcowy pod bieżącą wodą do czystości, a następnie odłożyć wszystkie filtry do całkowitego wyschnięcia na co najmniej 24 godziny.

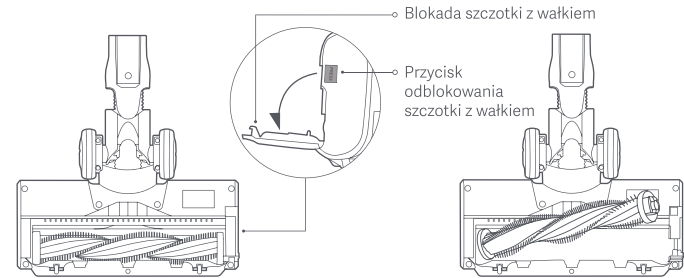
Uwagi:

- Nigdy nie zamaczać filtra, filtra wstępnego, ani filtra końcowego.
- Podczas czyszczenia filtra końcowego należy go wielokrotnie przepłukać i lekko postukać w jego krawędź, aby usunąć kurz i zanieczyszczenia, aż będzie czysty.
- Nie należy czyścić filtra wstępnego i filtra końcowego rękami, szczotką ani ostrymi przedmiotami, ponieważ mogłyby zostać uszkodzone.
- Jeśli po wyczyszczeniu filtra wstępnego i końcowego moc ssania jest nadal znacznie zmniejszona, można spróbować zakupić i wymienić je na oryginalne.



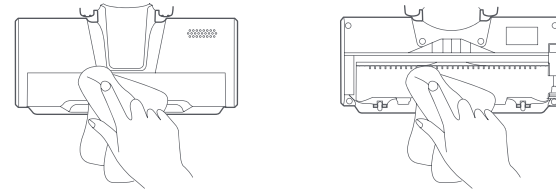
Czyszczenie elektrycznej ssawko-szczotki

1. Obrócić ssawko-szczotkę do góry nogami i nacisnąć przycisk odblokowania szczotki z wałkiem, aby ją odblokować i wyjąć.

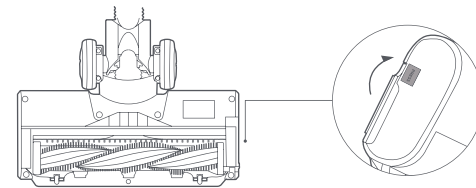


2. Użyć suchej szmatki lub ręcznika papierowego, aby wytrzeć kurz i zanieczyszczenia z otworu ssącego i przezroczystej pokrywy.

Uwaga: Nie czyścić elektrycznej ssawko-szczotki wodą, ponieważ ma ona wbudowany silnik.



3. Ponownie zamontować szczotkę z wałkiem i nacisnąć blokadę, aby zablokować ją na miejscu.



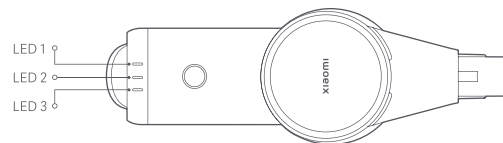
Typowy problem

Typowy problem	Prawdopodobna przyczyna	Rozwiązanie
Odkurzacz nie działa.	Akumulator jest wyczerpany.	Naładować odkurzacz przed użyciem.
	Otwór ssący, kanał powietrzny, filtr wstępny lub filtr końcowy są zablokowane.	Sprawdzić i natychmiast wyczyścić.
	Filtr, filtr wstępny lub filtr końcowy nie jest zamontowany na swoim miejscu.	Sprawdzić i zainstalować na miejscu.
	Uruchomione zostało zabezpieczenie temperaturowe akumulatora.	Należy odczekać, aż temperatura akumulatora powróci do normy, a następnie wznowić pracę.
Siła ssania zmniejszy się.	Pojemnik na kurz jest pełny lub filtr wstępny lub końcowy jest zatkany.	Sprawdzić i natychmiast wyczyścić.
	Głowica szczotki jest zatkana.	Wyczyścić głowicę szczotki.
Krótka żywotność akumulatora.	Akumulator nie jest w pełni naładowany.	Naładować odkurzacz przed użyciem.
	Pojemnik na kurz jest pełny lub filtr wstępny lub końcowy jest zatkany.	Sprawdzić i natychmiast wyczyścić.
	Głowica szczotki jest zatkana.	Wyczyścić głowicę szczotki.
Szczotka z wałkiem nie obraca się.	W szczotkę z wałkiem zaplątały się ciała obce.	Usunąć wszelkie ciała obce, a następnie wznowić użytkowanie.
	Zostało aktywowane zabezpieczenie wysokotemperaturowe silnika ssawko-szczotki.	Przed użyciem należy poczekać, aż temperatura silnika ssawko-szczotki powróci do normalnej wartości.
	Styki przewodzące są zabrudzone.	Przetrzeć styki miękką, suchą szmatką i spróbować ponownie.
Nie można ładować.	Używany zasilacz nie jest oryginalny.	Do ładowania odkurzacza używać wyłącznie oryginalnego zasilacza.
Akumulator ładuje się powoli.	Uruchomione zostało zabezpieczenie temperaturowe akumulatora.	Należy odczekać, aż temperatura akumulatora powróci do normy, a następnie wznowić pracę.

Uwaga: Jeżeli powyższe wskazówki nie pozwalają rozwiązać problemów, należy skontaktować się z działem obsługi posprzedażnej.

Rozwiązywanie problemów

Jeśli odkurzacz nie działa prawidłowo, na wskaźniku poziomu akumulatora pojawi się komunikat o błędzie. Porównaj go z poniższą tabelą, aby rozwiązać problem.



Komunikat o błędzie	Prawdopodobna przyczyna	Rozwiązanie
Diody LED 1, LED 2 i LED 3 migają jednocześnie trzy razy.	Błąd zasilania	Do ładowania odkurzacza używać wyłącznie oryginalnego zasilacza.
	Uruchomione zostało zabezpieczenie temperaturowe akumulatora.	Przed użyciem należy poczekać, aż temperatura silnika ssawko-szczotki powróci do normalnej wartości.
	Błąd ogniwa akumulatora	Skontaktuj się z działem serwisu posprzedażowego
	Błąd czujnika temperatury	
	Błąd silnika	
Dioda LED 1 miga dziesięć razy.	Akumulator rozładowany	Do ładowania odkurzacza używać wyłącznie oryginalnego zasilacza.

Dane techniczne

Odkurzacz Xiaomi G20 Lite			
Nazwa	Odkurzacz bezprzewodowy	Model	C203
Napięcie znamionowe	22,2 V \equiv	Moc znamionowa	215 W
Napięcie ładowania	27,0 V \equiv	Masa netto	2,4 kg
Elektryczna ssawko-szczotka			
Model	C203-DS	Napięcie znamionowe	22,2 V \equiv
Moc znamionowa	15 W		
Zasilacz			
Producent	Zhongshan Baolijin Electronic Co., Ltd.		
Model	BLJ15WJ270050P-V	Średnia Sprawność podczas Pracy	85,9%
Wejście znamionowe	100–240 V ~ 50/60 Hz 0,5 A	Wydajność przy Niskim Obciążeniu (10%)	73,2%
Wyjście znamionowe	27,0 V \equiv 0,5 A 13,5 W	Zużycie Mocy bez obciążenia	0,09 W
Producent	Shenzhen AMC Technology Co., Ltd.		
Model	AD-D0752700050EU01	Średnia Sprawność podczas Pracy	84,5%
Wejście znamionowe	100–240 V ~ 50/60 Hz 0,8 A	Wydajność przy Niskim Obciążeniu (10%)	75,5%
Wyjście znamionowe	27,0 V \equiv 0,5 A 13,5 W	Zużycie Mocy bez obciążenia	0,09 W

Uwaga: Modele BLJ15WJ270050P-V i AD-D0752700050EU01 można stosować z odkurzaczem i tylko jeden z nich jest dostarczany w zestawie.

Informacja w sprawie ochrony środowiska

Zespół akumulatora litowo-jonowego tego odkurzacza zawiera substancje chemiczne, które mogą zanieczyszczać środowisko. Przed utylizacją odkurzacza należy wyjąć akumulator, a następnie oddać go do odpowiedniego zakładu przetwarzania odpadów.

- Przed zutylizowaniem urządzenia należy wyjąć z niego akumulator.
- Podczas wyjmowania akumulatora urządzenie musi być odłączone od sieci zasilającej.
- Akumulator należy zutylizować w sposób bezpieczny dla środowiska.

OSTRZEŻENIA:

- Przed wyjęciem akumulatora upewnij się, że odkurzacz jest odłączona od zasilania, a akumulator – całkowicie wyczerpany.
- Wyjęte akumulatory należy przekazać profesjonalnemu zakładowi recyklingu w celu ich prawidłowej utylizacji.
- Nie zostawiać akumulatora w środowisku o wysokiej temperaturze, gdzie mogłoby dojść do wybuchu.
- W przypadku wycieku z akumulatora należy unikać kontaktu z płynem. W przypadku kontaktu płynu z oczami przemyć oczy dużą ilością wody i niezwłocznie zasięgnąć porady lekarza.

Wyjmowanie akumulatora:

1. Zdjąć tylne pokrywy odkurzacza i uchwytu, a następnie wyjąć mikroprzełącznik z uchwytu.
2. Za pomocą śrubokręta odkręcić śruby w odkurzacz, a następnie odłączyć przewody i wyjąć zespół akumulatora.
3. Odkręcić dwie śruby nad płytką drukowaną zespołu akumulatora.
4. Zdjąć górną i dolną pokrywę płytki drukowanej i zespołu akumulatora, a następnie wyjąć akumulatory.



GWARANCJA

NINIEJSZA GWARANCJA NADAJE UŻYTKOWNIKOWI OKREŚLONE PRAWA, LECZ MOGĄ MU PRZYSŁUGIWAĆ RÓWNIEŻ INNE PRAWA PRZEWDZIANE PRAWEM DANEGO KRAJU, OKRĘGU ADMINISTRACYJNEGO LUB STANU. PONADTO W NIEKTÓRYCH KRAJACH, OKRĘGACH ADMINISTRACYJNYCH LUB STANACH PRAWO KONSUMENCKIE MOŻE PRZEWIDYWAĆ MINIMALNY OKRES GWARANCJI. WSZELKIE WYKLUCZENIA, OGRANICZENIA LUB ZAWIESZENIA PRAW PRZYSŁUGUJĄCYCH UŻYTKOWNIKOWI, NA JAKIE POWOŁUJE SIĘ FIRMA XIAOMI, NASTĘPUJĄ WYŁĄCZNIE W ZAKRESIE DOZWOLONYM PRZEZ OBOWIĄZUJĄCE PRAWO. W CELU DOKŁADNEGO ZROZUMIENIA SWOICH PRAW ZACHĘCAMY DO ZAPOZNANIA SIĘ Z PRAWEM SWOJEGO KRAJU, OKRĘGU ADMINISTRACYJNEGO LUB STANU.

1. OGRANICZONA GWARANCJA NA PRODUKT

Firma Xiaomi gwarantuje, że Produkty są wolne od wad materiałowych i wykonawczych w normalnych warunkach użytkowania i podczas użytkowania zgodnie z właściwą instrukcją obsługi Produktu, przez Okres Gwarancji.

Okres obowiązywania i warunki rękojmi są określone w odpowiednich przepisach lokalnych. Więcej informacji na temat korzyści wynikających z gwarancji konsumenckiej można znaleźć na oficjalnej stronie firmy Xiaomi <https://www.mi.com/global/support/warranty>.

Firma Xiaomi gwarantuje pierwotnemu nabywcy, że przy normalnym użytkowaniu Produkt będzie wolny od wad materiałowych i produkcyjnych przez wyżej wymieniony okres.

Firma Xiaomi nie gwarantuje, że działanie Produktu będzie nieprzerwane lub wolne od błędów.

Firma Xiaomi nie ponosi odpowiedzialności za szkody spowodowane nieprzestrzeganiem instrukcji dotyczących użytkowania Produktu.

2. FORMY ZADOŚĆCZYNIENIA

W przypadku stwierdzenia wady urządzenia i otrzymania przez firmę Xiaomi ważnego roszczenia w Okresie Gwarancji firma Xiaomi (1) naprawi produkt bezpłatnie, (2) wymieni produkt lub (3) zwróci koszt Produktu, z wyłączeniem ewentualnych opłat z tytułu wysyłki.

3. JAK SKORZYSTAĆ Z GWARANCJI

Aby skorzystać z gwarancji, należy dostarczyć Produkt na adres podany przez firmę Xiaomi w opakowaniu oryginalnym bądź podobnym, które zapewni Produktowi taki sam poziom ochrony. Przed skorzystaniem z gwarancji firma Xiaomi może (w zakresie dozwolonym przez obowiązujące prawo) zażądać dostarczenia dowodu zakupu i/lub dokonania rejestracji Produktu.

4. WYŁĄCZENIA I OGRANICZENIA

O ile firma Xiaomi nie postanowi inaczej, niniejsza Ograniczona Gwarancja dotyczy wyłącznie Produktu wytworzonego przez firmę Xiaomi lub na jej rzecz, oznaczonego znakami towarowymi, nazwą handlową lub logo „Xiaomi” lub „Mi”.

Ograniczona Gwarancja nie dotyczy (a) Szkód spowodowanych działaniem natury lub siły wyższej, np. uderzeniem pioruna, tornadem, powodzią, pożarem, trzęsieniem ziemi lub innymi czynnikami zewnętrznymi; (b) Zaniedbań; (c) Wykorzystania w celach komercyjnych; (d) Modyfikacji dowolnej części Produktu; (e) Szkód związanych z używaniem Produktu w połączeniu z produktami niebędącymi produktami firmy Xiaomi; (f) Szkód powstałych wskutek wypadku, niewłaściwego lub nieprawidłowego używania; (g) Szkód spowodowanych korzystaniem z Produktu w zakresie wykraczającym poza dozwolone lub zamierzone zastosowanie opisane przez firmę Xiaomi lub wskutek zastosowania niewłaściwego napięcia lub zasilania; (h) Szkód spowodowanych przez usługę serwisową (w tym ulepszenia i rozszerzenia) wykonaną przez osobę niebędącą przedstawicielem firmy Xiaomi.

Obowiązkiem użytkownika jest tworzenie kopii zapasowych wszelkich danych, oprogramowania lub innych materiałów przechowywanych lub zapisanych w produkcie. Istnieje możliwość, że podczas serwisowania dane, oprogramowanie lub inne materiały znajdujące się w urządzeniu zostaną utracone lub przeformatowane, a firma Xiaomi nie ponosi odpowiedzialności za takie uszkodzenie lub utratę.

Żaden sprzedawca, agent ani pracownik firmy Xiaomi nie jest upoważniony do dokonywania jakichkolwiek modyfikacji, przedłużania ani uzupełniania niniejszej Ograniczonej Gwarancji. Jeśli jakkolwiek warunek zostanie uznany za niezgodny z prawem lub niemożliwy do wyegzekwowania, nie ma to wpływu na legalność ani wykonalność pozostałych postanowień.

Usługi posprzedażne ograniczają się do kraju lub regionu, w którym dokonano pierwotnego zakupu, chyba że obowiązujące prawo zabrania nałożenia takiego ograniczenia lub firma Xiaomi złożyła w tym zakresie inne zobowiązanie.

Produkty, które nie zostały sprowadzone i/lub nie zostały wyprodukowane przez firmę Xiaomi i/lub nie zostały nabyte od firmy Xiaomi lub oficjalnego sprzedawcy firmy Xiaomi, nie są objęte niniejszymi gwarancjami. Zgodnie z obowiązującym prawem użytkownikowi mogą przysługiwać gwarancje udzielone przez nieoficjalnego sprzedawcę, który sprzedał dany produkt. Dlatego firma Xiaomi zachęca do skontaktowania się ze sprzedawcą, u którego zakupiono produkt.

Niniejsze gwarancje nie mają zastosowania w Hongkongu i Tajwanie.

5. GWARANCJE DOROZUMIANE

Z wyjątkiem przypadków, w których jest to zakazane przez obowiązujące prawo, okres obowiązywania wszystkich dorozumianych gwarancji (w tym gwarancji przydatności handlowej i przydatności



do określonego celu) jest ograniczony do maksymalnego okresu obowiązywania tej ograniczonej gwarancji. Niektóre jurysdykcje nie zezwalają na ograniczenie okresu obowiązywania gwarancji dorozumianej, w związku z czym powyższe ograniczenie nie będzie mieć w takich przypadkach zastosowania.

6. OGRANICZENIE ODPOWIEDZIALNOŚCI Z TYTUŁU SZKÓD

W zakresie, w jakim nie zakazuje tego obowiązujące prawo, firma Xiaomi nie ponosi odpowiedzialności za szkody spowodowane przez wypadek, pośrednie, szczególne lub wtórne, w tym między innymi za utratę zysków, dochodów lub danych, szkody wynikające z jakiegokolwiek naruszenia wyraźnej lub dorozumianej gwarancji lub warunku, bądź szkody wynikające z jakiegokolwiek innej teorii prawnej, nawet jeśli firmę Xiaomi poinformowano o możliwości wystąpienia takich szkód. Niektóre jurysdykcje nie zezwalają na wyłączenie lub ograniczenie odpowiedzialności z tytułu szkód szczególnych, pośrednich lub wtórnych, w związku z czym powyższe ograniczenie lub wyłączenie może nie mieć zastosowania do danego użytkownika.

7. KONTAKT Z FIRMĄ XIAOMI

Klientów zachęca się do odwiedzenia strony <https://www.mi.com/global/support/warranty>

Osobą kontaktową w zakresie obsługi posprzedażnej może być dowolna osoba w autoryzowanej sieci serwisowej Xiaomi, autoryzowany dystrybutor Xiaomi lub ostateczny sprzedawca, który sprzedał produkt użytkownikowi. W przypadku wątpliwości należy skontaktować się z odpowiednią osobą wskazaną przez firmę Xiaomi.

Інструкції з безпеки

Цей виріб призначений лише для домашнього використання. Уважно прочитайте цю інструкцію й збережіть її для подальшого використання.

- Приладом можуть користуватися діти віком від 8 років і старше й особи зі знизженими фізичними, сенсорними чи розумовими можливостями або без досвіду та знань під наглядом чи згідно з інструкцією щодо безпечного використання приладу за умови, що вони усвідомлюють пов'язані з цим небезпеки. Діти не повинні гратися з приладом. Діти не повинні виконувати очищення та користуватись технічне обслуговування без нагляду дорослих.
- Заміновати акумулятори цього приладу повинен лише спеціаліст.
- Прилад слід використовувати лише з джерелом живлення, що постачається разом із приладом.
- Пилосос призначений лише для використання в приміщенні. Не використовуйте або не встановлюйте виріб поза приміщенням, у промисловому або комерційному середовищі.
- Якщо прилад переїде кабель живлення, може виникнути небезпечна ситуація.
- Перед очищенням або технічним обслуговуванням приладу необхідно виїняти штепсель із електричної розетки.
- Щоб зменшити ризик пожежі, вибуху або травмування, перед використанням перевірте джерело живлення на предмет пошкодження. Не використовуйте пилосос, якщо адаптер живлення пошкоджений.
- Якщо адаптер живлення або акумулятор пошкоджені, їх слід замінити оригінальними компонентами, придбаними у виробника або відділу післяпродажного обслуговування.
- Перш ніж очищувати або замінювати роликіву щітку, переконайтеся в тому, що пилосос вимкнений.
- Електрична щітка, подовжувач та пилосос мають електропровідність і не мають занурюватися у воду або іншу рідину. Після прибирання переконайтеся в тому, що фільтр, попередній фільтр і наступний фільтр попередній фільтр повністю сухі.
- Щоб запобігти травмам, вимкніть пилосос і зніміть електричну щітку перед чищенням і технічним обслуговуванням. Не використовуйте пилосос, якщо ви не встановили належним чином електричну щітку, кришку відсіку для пилу, фільтр, попередній фільтр і наступний фільтр.
- Періодично перевіряйте подовжувач і не використовуйте, якщо подовжувач пошкоджений.
- Не використовуйте пилосос для збирання легкозаймистих або вибухонебезпечних рідин, таких як бензин, а також інших рідин, таких як вода чи токсичних рідин, таких як відбілювач, аміак і засоби для чищення каналізаційних стоків.
- Не використовуйте пилосос для очищення тонера, який використовується в лазерних принтерах і копіювальних апаратах, оскільки тонер може спричинити пожежу або вибух.
- Не використовуйте пилосос для очищення частинок гіпсокартону, попелу, як зола каміна, а також матеріалів після паління або займистих, таких як вугілля, недопалки або сірники.
- Не використовуйте пилосос для збирання гострих або твердих предметів, таких як скло, цвяхи, гвинти або монети, які можуть пошкодити виріб.
- Не використовуйте пилосос для очищення плям від густих маслянистих речовин, міцних клеїв або барвників, таких як крем для взуття, фарби та пігменти.
- Тримайте волосся, вільний одяг, пальці та інші частини тіла подалі від отворів та рухомих частин пилососу.
- Не спрямовуйте всмоктувальний отвір, подовжувач або інші аксесуари на очі чи вуха і не кладіть їх у рот.
- Не кладіть будь-які предмети у отвори пилососу і не використовуйте пилосос із заблокованим отвором. Очищуйте пилосос від пилу, ворсинки, волосся та інших предметів, які можуть зменшити потужність всмоктування пилососа.
- Не нахиляйте пилосос на нестійкі поверхні, такі як стільці або столи, щоб запобігти пошкодженню виробу та тілесним ушкодженням, що можуть виникнути при його падінні.
- Не заряджайте та не зберігайте пилосос поблизу джерел тепла або у вологих місцях, наприклад, біля батареї, на кухні чи у ванній кімнаті.
- Не піддавайте прилад або акумулятор впливу надмірно високої температури.
- Пам'ятайте про ризик короткого замикання клем акумулятора або приладу, що живиться від акумулятора, металевими предметами.
- Використовуйте лише запасні частини, схвалені компанією Xiaomi.
- У разі витікання акумулятора уникайте контакту з рідиною та утилізуйте акумулятор на схваленому державою підприємстві з переробки. У разі потраплення в очі, їх необхідно промити великою кількістю води та вчасно звернутися до лікаря.
- Будьте обережні, використовуючи пилосос для чищення сходів.
- Попередження про небезпеку пожежі: не застосовуйте будь-який тип ароматизаторів до попереднього або наступного фільтра пилососа. Відомо, що ці типи продуктів містять легкозаймисті хімічні речовини, які можуть спричинити загорання пилососу.
- Суворо дотримуйтеся вказівок у цьому посібнику користувача: заряджайте пилосос при температурі навколишнього середовища від 0 °C до 35 °C. Неправильне зарядження може призвести до пошкодження акумулятора.
- Чітко дотримуйтеся вказівок у цьому посібнику користувача під час користуванням пилососом. Користувачі несуть відповідальність за будь-які втрати або пошкодження, які можуть виникнути внаслідок неправильного використання пилососом.
- **ПОПЕРЕДЖЕННЯ:** використовуйте лише блок живлення, що входить до комплекту постачання цього приладу.
- **ПОПЕРЕДЖЕННЯ:** заряджайте акумулятор лише за допомогою знімного блока живлення з комплекту постачання цього пристрою.
- Використовуйте лише блок живлення BLJ15JWJ270050P-V або AD-D0752700050EU01.

Інформація про відповідність вимогам



Декларація відповідності для ЕС

Ми, компанія Beijing Shunzao Technology Co., Ltd., заявляємо, що це обладнання відповідає застосовним директивам, європейським стандартам і поправкам до них. Повний текст заяви для ЕС про відповідність наведено в Інтернеті за такою адресою: <http://www.mi.com/global/service/support/declaration.html>

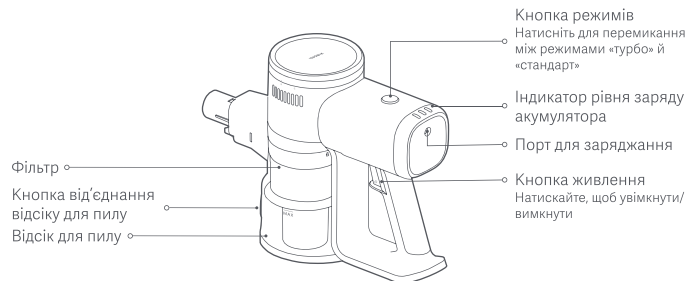


Інформація про утилізацію та переробку відходів електричного та електронного обладнання

Усі продукти, позначені цим символом, вважаються відходами електричного та електронного обладнання (WEEE відповідно до директиви 2012/19/EU), які слід утилізувати окремо від несортованих побутових відходів. Щоб захистити здоров'я людей і навколишнє середовище, потрібно здавати непрацююче обладнання до спеціалізованих пунктів збору, визначених державними або місцевими органами влади, для подальшої переробки. Правильна утилізація та переробка допоможуть запобігти негативним наслідкам для навколишнього середовища та здоров'я людей. За додатковою інформацією про розташування та умови роботи підібних пунктів збору звертайтеся до компанії, яка виконала встановлення, або до місцевих органів влади.

Опис продукту

Пилосос



Список аксесуарів



Примітка. Ілюстрації виробу, приладдя та користувацького інтерфейсу, наведені в цьому посібнику користувача, призначено виключно для довідки. Фактичний виріб і його функції можуть відрізнятися через подальше вдосконалення.

Як установити

Встановлення аксесуарів на пилосос

- З'єднувальний подовжувач до пилососа та електричної щітки

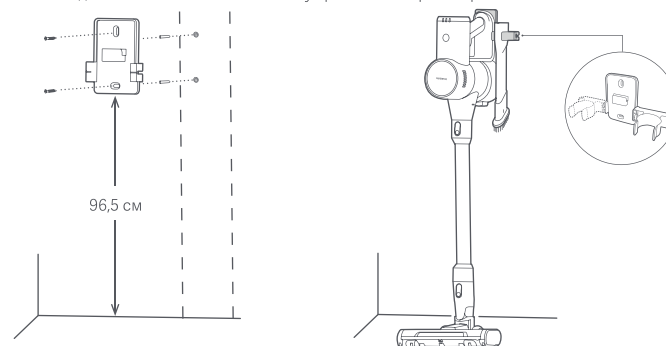


- З'єднання насадки щітки 2-в-1 з пилососом



Встановлення настінного кріплення для зберігання

- Виберіть прохолодне та сухе місце з електричною розеткою, розташованою поблизу. До встановлення переконайтеся в тому, що в стіні безпосередньо за місцем встановлення кріплення немає дротів або труб.
- Рекомендована відстань між нижньою частиною настінного кріплення для зберігання та землею становить 96,5 см.
- Тримайте настінне кріплення для зберігання у відповідному положенні та нанесіть позначки на стіні відповідно до отворів на кріпленні.
- Використовуйте електродриль зі свердлом діаметром 8 мм, щоб просвердлити отвір глибиною приблизно 40 мм у кожному позначеному місці, потім вставте дюбель у кожен отвір.
- Вирівняйте монтажні отвори на настінному кріпленні для зберігання з отворами на стіні, потім за допомогою гвинтів із комплекту кріплення закріпіть кронштейн на стіні.



Заряджається



Опис станів індикатора рівня заряду акумулятора

Вимк. Блимає Увімк.

Робота

Низький заряд акумулятора Майже повний

Половина заряду акумулятора

Заряджається

Низький заряд акумулятора Майже повний

Половина заряду акумулятора Повністю заряджений акумулятора

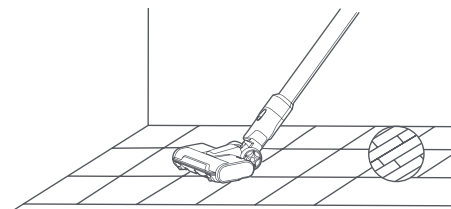
Примітки:

- До першого використання пилососа повністю його зарядіть. Це триватиме близько 5 годин.
- Пилососом не можна користуватися під час заряджання.
- Коли пилосос буде повністю заряджений, індикатор вимкнеться через 20 секунд, і пилосос перейде до режиму економії енергії.
- Пилосос із найвищим рівнем всмоктування протягом тривалого часу призведе до нагрівання акумулятора, що може збільшити час заряджання. Перш ніж заряджати пилосос, рекомендується охолоджувати його 30 хвилин.

Як використовувати

Електрична щітка

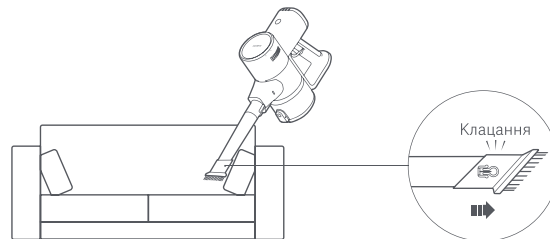
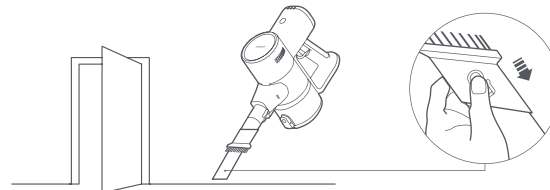
Для чищення мармурових, дерев'яних підлог і килимів із коротким ворсом.



Насадка щітки 2-в-1

Підходить для чищення місць зі щілинами, таких як клавіатури, штори, дивани, стелі, кути та салон автомобіля.

Примітка: щоб уникнути потенційної загрози безпеці, не піддавайте пилосос впливу прямих сонячних променів і не зберігайте його в середовищі з високою температурою, наприклад, усередині автомобіля влітку.



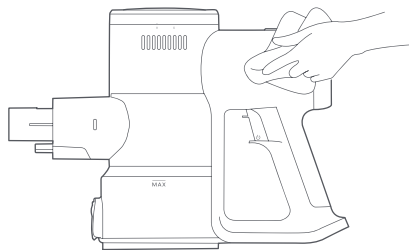
Догляд і технічне обслуговування

ПОПЕРЕДЖЕННЯ:

- Перед доглядом і технічним обслуговуванням відключіть пилосос від джерела живлення та переконайтеся, що його вимкнено.
- Завжди використовуйте оригінальні запчастини для забезпечення нормальної роботи та збереження дійсності гарантії.
- Якщо фільтр, попередній фільтр, наступний фільтр, подовжувач або насадка щітки 2-в-1 заблоковані, пилосос перестане працювати. Перш ніж повторно використовувати пилосос, вимкніть його та очистіть заблоковану частину.
- Якщо щітка заблокується, вона перестане працювати, але сам пилосос продовжить роботу. Перш ніж користуватися пилососом повторно, вимкніть його та очистіть щітку.
- До чищення зніміть голівку щітки з пилососа, щоб запобігти випадковому ввімкненню пилососа, що може спричинити травму.
- Якщо пилосос не використовується протягом тривалого часу, повністю зарядіть його та відключіть від джерела живлення, після цього зберігайте в прохолодному середовищі з низькою вологістю на відстані від прямих сонячних променів.
- Щоб уникнути надмірного розряджання акумулятора, заряджайте пилосос принаймні один раз на три місяці.

Очищення пилососу

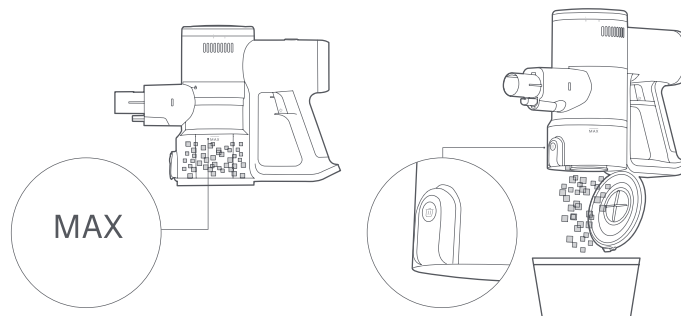
Протирайте пилосос м'якою сухою тканиною.



Очищення відсіку для пилу

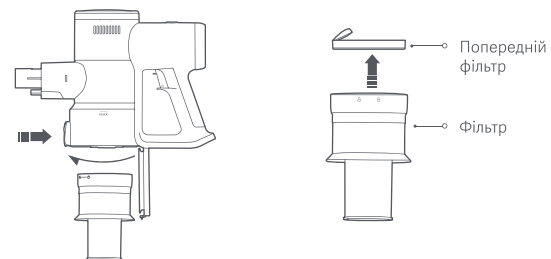
До очищення відсіку для пилу від'єднайте джерело живлення та видаліть подовжувач. Здатність прибирання пилососа буде знижена, якщо відсік для пилу заповнений до позначки «MAX».

- Спорожніть відсік для пилу: тримайте відсік для пилу над відром для сміття, потім натисніть кнопку від'єднання відсіку для пилу щоб спорожнити вміст.



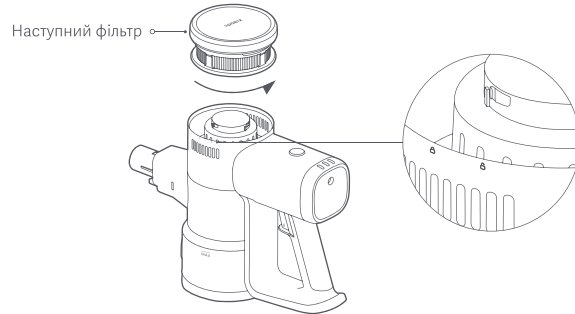
Очищення вузла фільтра

1. Натисніть кнопку від'єднання відсіку для пилу, щоб відкрити відсік для пилу, поверніть фільтр, як показано на малюнку, щоб вийняти його, потім зніміть попередній фільтр із фільтра.





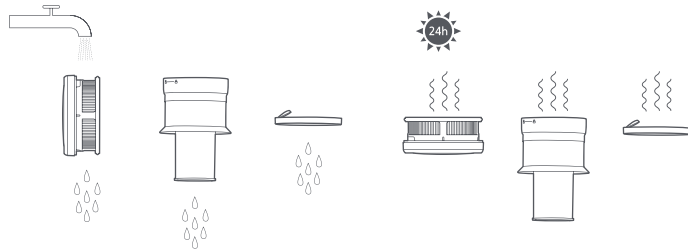
2. Щоб зняти наступний фільтр, поверніть його, як показано на малюнку.



3. Промивайте фільтр, попередній фільтр і наступний фільтр під проточною водою з-під крана, доки вони не стануть чистими, потім залиште їх для повного висушування принаймні на 24 години.

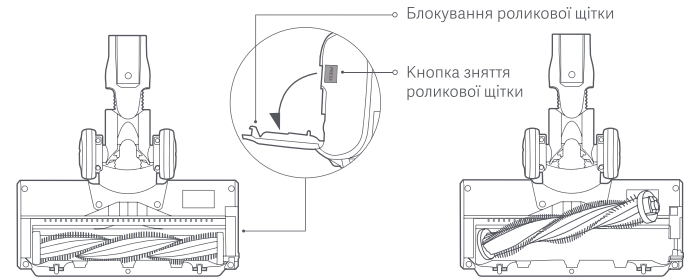
Примітки:

- Ніколи не замочуйте фільтр, попередній і наступний фільтр.
- Під час очищення наступного фільтра, кілька разів промийте його та злегка постукайте по краю, щоб видалити пил і сміття, поки він не стане чистим.
- Не очищайте попередній і наступний фільтр руками, щіткою або гострим предметом, щоб запобігти його пошкодженню.
- Якщо потужність всмоктування все ще значно знижена після очищення попереднього та наступного фільтру, ви можете спробувати придбати та замінити фільтри на оригінальні.



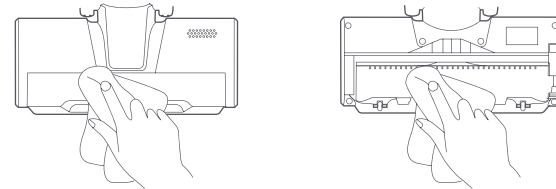
Очищення електричної щітки

1. Розташуйте щітку догори дном і натисніть кнопку зняття роликів щітки, щоб розблокувати роликіву щітку та зняти її.

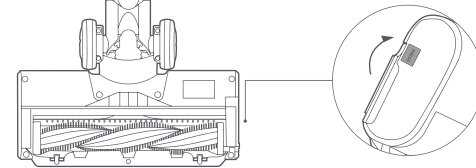


2. Використовуйте суху тканину або паперовий рушник, щоб витерти пил і сміття з отвору для всмоктування та прозорої кришки.

Примітка: не мийте електричну щітку водою, оскільки щітка має вбудований двигун.



3. Повторно встановіть роликіву щітку та натисніть на блокування, щоб зафіксувати її на місці.



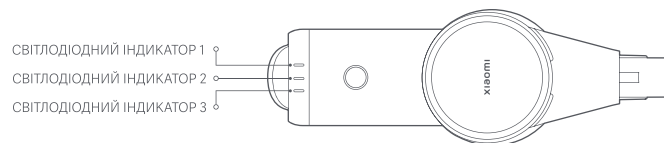
Поширена проблема

Поширена проблема	Можлива причина	Рішення
Пилосос не працює.	Акумулятор розряджений.	Зарядіть пилосос до використання.
	Отвір для всмоктування, повітропровід, попередній або наступний фільтр заблоковано.	Перевірте та очистіть негайно.
	Фільтр, попередній або наступний фільтр не встановлені на місці.	Перевірте та встановіть на місце.
	Спрацював температурний захист акумулятора.	Зачекайте, доки температура акумулятора нормалізується, а потім продовжуйте користування.
Зменшена потужність всмоктування.	Відсік для пилу повний або попередній фільтр чи наступний фільтр заблоковані.	Перевірте та очистіть негайно.
	Голівка щітки забилася.	Очистіть голівку щітки.
Низький термін служби акумулятора.	Акумулятор заряджений не повністю.	Зарядіть пилосос до використання.
	Відсік для пилу повний або попередній фільтр чи наступний фільтр заблоковані.	Перевірте та очистіть негайно.
	Голівка щітки забилася.	Очистіть голівку щітки.
Роликова щітка не обертається.	У роликовій щітці застрягли сторонні предмети.	Видаліть усі сторонні предмети, а потім відновіть використання.
	Спрацював високотемпературний захист двигуна щітки.	До використання зачекайте, доки температура двигуна щітки нормалізується.
	Забруднилися провідні контакти.	Протріть контакти м'якою сухою тканиною та повторіть спробу.
Не вдається зарядити.	Джерело живлення, що використовується, не є оригінальним.	Для зарядження пилососу користуйтеся лише оригінальним джерелом живлення.
Повільно заряджається акумулятор.	Спрацював температурний захист акумулятора.	Зачекайте, доки температура акумулятора нормалізується, а потім продовжуйте користування

Примітка: якщо наведені вище рішення не допомогли вирішити проблему, зверніться до служби післяпродажного обслуговування.

Вирішення проблем

Якщо пилосос не працює належним чином, індикатор рівня заряду акумулятора відобразить повідомлення про помилку. Перегляньте наведену нижче таблицю для вирішення проблем.



Повідомлення про помилку	Можлива причина	Рішення
СВІТЛОДИОДНИЙ ІНДИКАТОР 1, СВІТЛОДИОДНИЙ ІНДИКАТОР 2 і СВІТЛОДИОДНИЙ ІНДИКАТОР 3 тричі блимають одночасно.	Помилка джерела живлення	Для зарядження пилососу користуйтеся лише оригінальним джерелом живлення.
	Спрацював температурний захист акумулятора.	До використання зачекайте, доки температура двигуна щітки нормалізується.
	Помилка елемента акумулятора	Зверніться до колективу відділу післяпродажного обслуговування
	Помилка датчика температури	
	Помилка двигуна	
СВІТЛОДИОДНИЙ ІНДИКАТОР 1 блимає десять разів.	Акумулятор розряджений	Для зарядження пилососу користуйтеся лише оригінальним джерелом живлення.