

# Safety Instructions

---

This product is for household use only. Read this manual carefully before use, and retain it for future reference.

- This appliance can be used by children aged from 8 years and above and persons with reduced physical, sensory or mental capabilities or lack of experience and knowledge if they have been given supervision or instruction concerning use of the appliance in a safe way and understand the hazards involved. Children shall not play with the appliance. Cleaning and user maintenance shall not be made by children without supervision.
- This appliance contains batteries that are only replaceable by skilled persons.
- The appliance is only to be used with the power supply unit provided with the appliance.
- This vacuum is for indoor use only. Do not use or install it in outdoor, industrial, or commercial environments.
- A hazard may occur if the appliance runs over the supply cord.
- The plug must be removed from the socket-outlet before cleaning or maintaining the appliance.
- To reduce the risk of fire, explosion, or personal injury, check before use to make sure the power supply is undamaged. Do not use the vacuum if the power adapter is damaged.
- If the charger or battery becomes damaged, it must be replaced with a genuine component purchased from the manufacturer or after-sales service department.
- Make sure to turn the vacuum cleaner off before cleaning or replacing the roller brush.
- The electric brush bar, the extension rod, and the vacuum cleaner are electrically conductive and should not be immersed in water or other liquids. Make sure the filter, pre-filter and post-filter are thoroughly dry after cleaning.
- To prevent injury, turn off the vacuum cleaner and remove the electric brush bar before cleaning and maintenance. Do not use the vacuum cleaner before installing the electric brush bar, dust compartment cover, filter, pre-filter, and post-filter properly.
- Periodically check the extension rod and do not use it if it is damaged.
- Neither use the vacuum cleaner to pick up flammable or explosive liquids such as gasoline, nor other liquids such as water or toxic liquids like bleach, ammonia, and drain cleaners.
- Do not use the vacuum to clean up toner used in laser printers and copiers, as toner may cause fire or explosion.
- Do not use the vacuum cleaner to pick up drywall particles, ashes like fireplace ash, or smoking or burning materials such as coal, cigarette butts or matches.
- Do not use the vacuum cleaner to pick up sharp or hard objects, such as glass, nails, screws, or coins, which may damage the product.
- Do not use the vacuum cleaner to clean stains of thick oily substances, strong adhesives, or dyes, such as shoe polish, paints, and pigments.
- Keep hair, loose clothing, fingers, and other parts of the body away from the vacuum cleaner's openings and moving parts.
- Do not point the suction opening, extension rod, or other accessories at your eyes or ears or put them in your mouth.
- Do not put any object into the vacuum cleaner's openings, nor use the vacuum cleaner with any opening blocked. Keep free of dust, lint, hair, or other items which may reduce the suction power of the vacuum cleaner.
- Do not lean the vacuum cleaner on unstable objects such as chairs or tables to prevent damage or injury caused by it falling off.
- Do not charge or store the vacuum near heat sources or in humid areas, such as by a radiator or in a kitchen or bathroom.
- Do not expose the appliance or battery to excessive temperatures.
- Be aware of the risk of terminals of the battery-operated appliance or battery being short-circuited by metal objects.
- Only use replacement parts that are approved by Xiaomi.
- In the event of a battery leak, avoid contact with the liquid and dispose of the battery at a government-approved recycling facility. In case of contact with eyes, rinse with plenty of water and seek medical attention immediately.
- Please be extra careful when using the vacuum cleaner to clean stairs.
- Fire Hazard Warning: Do not apply any type of fragrance to the vacuum cleaner's pre-filter and post-filter. These types of products are known to contain flammable chemicals which may cause the vacuum cleaner to catch fire.
- Strictly follow the instructions in this user manual to charge the vacuum at an ambient temperature of 0°C to 35°C. Improper charging may result in damage to the battery.
- Please strictly follow the instructions in this user manual when using the vacuum cleaner. Users are responsible for any loss or damage that may arise from improper use of the vacuum cleaner.
- **WARNING:** Only use the supply unit provided with this appliance.
- **WARNING:** For the purposes of recharging the battery, only use the detachable supply unit provided with this appliance.
- Use only with BLJ15WJ270050P-V or AD-D0752700050EU01 supply unit.

## Regulatory Compliance Information

---



### EU Declaration of Conformity

We, Beijing Shunzao Technology Co., Ltd., hereby declare that this equipment is in compliance with the applicable Directives and European Norms, and amendments. The full text of the EU declaration of conformity is available at the following internet address: <http://www.mi.com/global/service/support/declaration.html>



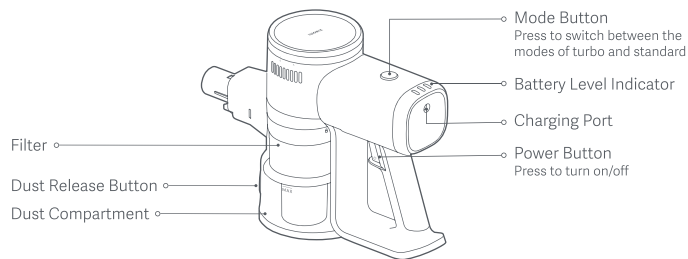
### WEEE Disposal and Recycling Information

All products bearing this symbol are waste electrical and electronic equipment (WEEE as in directive 2012/19/EU) which should not be mixed with unsorted household waste. Instead, you should protect human health and the environment by handing over your waste equipment to a designated collection point for the recycling of waste electrical and electronic equipment, appointed by the government or local authorities. Correct disposal and recycling will help prevent potential negative consequences to the environment and human health. Please contact the installer or local authorities for more information about the location as well as terms and conditions of such collection points.

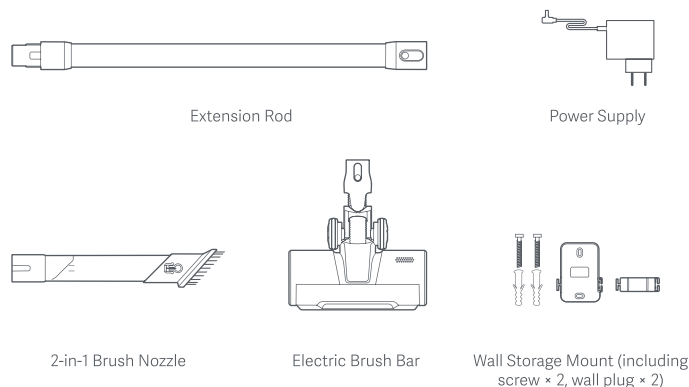


## Product Overview

### Vacuum Cleaner



### Accessory List

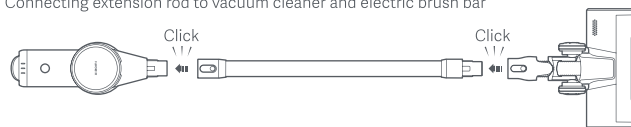


Note: Illustrations of product, accessories, and user interface in the user manual are for reference purposes only. Actual product and functions may vary due to product enhancements.

## How to Install

### Installing the accessories onto the vacuum cleaner

- Connecting extension rod to vacuum cleaner and electric brush bar

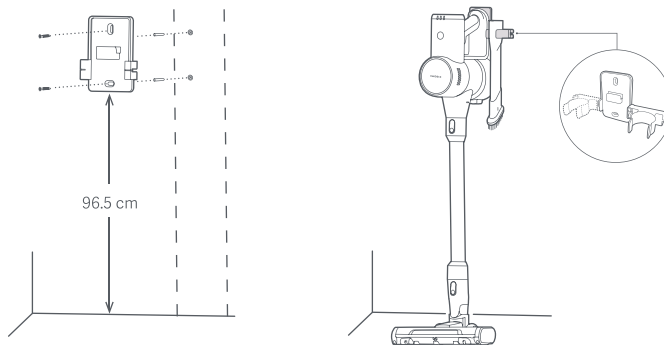


- Connecting 2-in-1 brush nozzle to vacuum cleaner

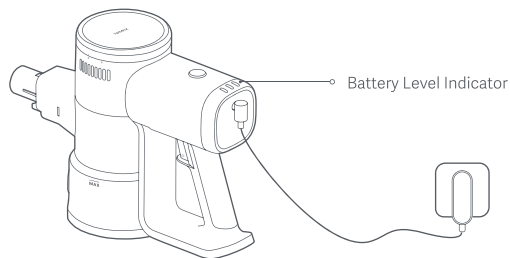


### Installing the wall storage mount

- Choose a cool and dry place with an electrical outlet nearby. Before installing, make sure that there are not any wires or pipes in the wall directly behind where the mount will be installed.
- The distance between the bottom of the wall storage mount and the ground is recommended to be 96.5 cm.
- Hold the wall storage mount in position, and make marks on the wall according to the holes on the mount.
- Use a power drill with an 8 mm drill bit to drill a hole approximately 40 mm deep in each marked position, then insert a wall plug into each hole.
- Align the mounting holes on the wall storage mount with the holes on the wall, and then use the included screws to secure the mount to the wall.



## Charging



### Battery level indicator status description

● Off      ☀️ Blinking      ○ On

#### Working

○ ● ● Low battery      ○ ○ ○ Nearly full  
○ ○ ● Half battery

#### Charging

☀️ ● ● Low battery      ○ ○ ☀️ Nearly full  
○ ☀️ ● Half battery      ○ ○ ○ Fully charged

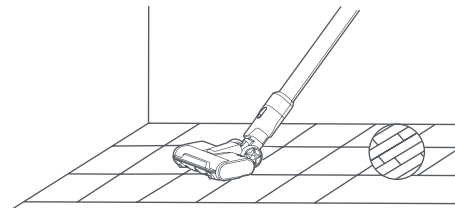
#### Notes:

- Fully charge the vacuum cleaner before using it for the first time. This will take about 5 hours.
- The vacuum cleaner cannot be used while charging.
- Once the vacuum cleaner is fully charged, the indicator will turn off after 20 seconds, and the vacuum cleaner will then enter the energy-saving mode.
- Vacuuming at the highest suction level for a prolonged period will cause the battery to heat up, which may increase the charging time. Before charging the vacuum cleaner, it is better to cool it down for 30 minutes.

## How to Use

### Electric Brush Bar

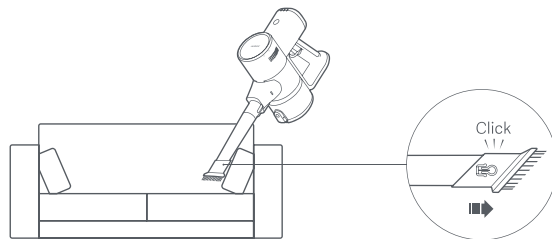
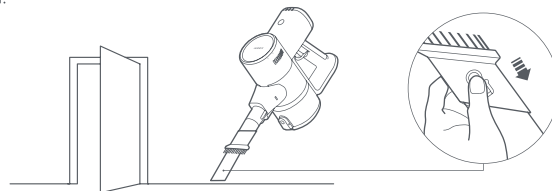
For cleaning marble, wood, and short pile carpeted floors.



### 2-in-1 Brush Nozzle

Suitable for cleaning places with crevices, such as keyboards, curtains, sofas, ceilings, corners, and car interiors.

Note: To avoid potential safety hazards, do not expose the vacuum cleaner to direct sunlight or store it in environments with high temperatures like inside a car in summer.



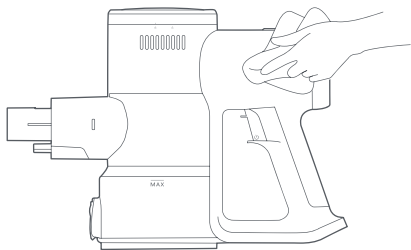
## Care & Maintenance

### CAUTIONS:

- Before care and maintenance, unplug the power supply and make sure the vacuum cleaner is turned off.
- Always use genuine parts to ensure normal operation and to keep your warranty valid.
- If the filter, pre-filter, post-filter, extension rod, or 2-in-1 brush nozzle is blocked, the vacuum cleaner will stop working. Before using the vacuum cleaner again, turn it off and clean the blocked part.
- If the brush bar gets blocked, it will stop working but the vacuum cleaner itself will not. Before using the vacuum cleaner again, turn it off and clean the brush bar.
- Before cleaning, remove the brush head from the vacuum cleaner to prevent accidentally turning on the vacuum cleaner, which can cause injury.
- If the vacuum cleaner will not be used for an extended period, fully charge it and disconnect it from the power then store it in a cool, low-humidity environment away from direct sunlight.
- To avoid over-discharging the battery, recharge the vacuum cleaner at least once every three months.

### Cleaning the Vacuum Cleaner

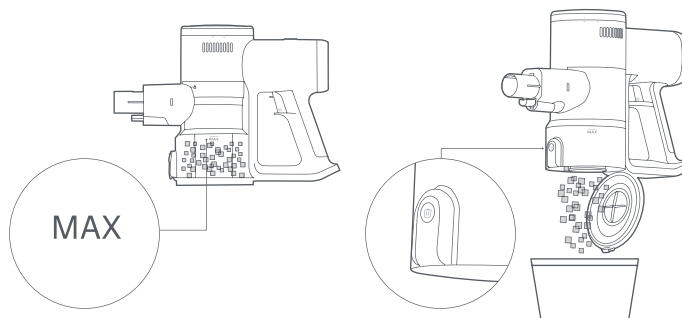
Wipe the vacuum cleaner with a soft, dry cloth.



### Cleaning the dust compartment

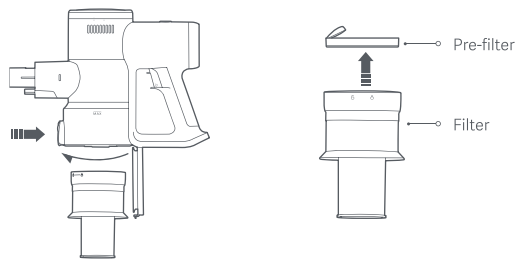
Before cleaning the dust compartment, disconnect the power supply and remove the extension rod. The vacuum's cleaning ability will be reduced if the dust compartment is filled to the "MAX" mark. To regain performance, empty the dust compartment.

- Empty the dust compartment: Hold the dust compartment over a trash bin, then press the dust release button to empty out the contents.



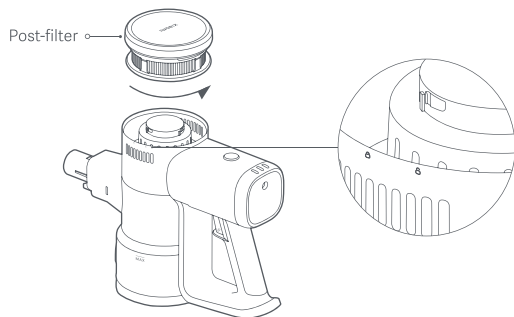
### Cleaning the filter assembly

1. Press the dust release button to open the dust compartment, turn the filter as illustrated to remove it, then remove the pre-filter from the filter.





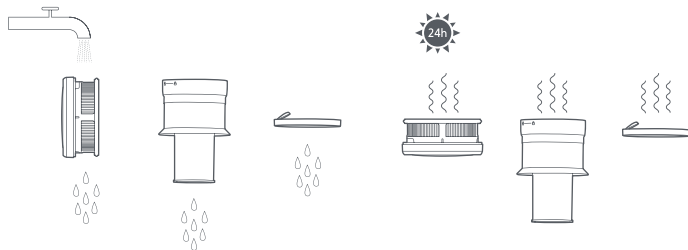
2. Turn the post-filter as illustrated to remove it.



3. Rinse the filter, pre-filter, and post-filter under running tap water until clean, then set them aside to fully dry for at least 24 hours.

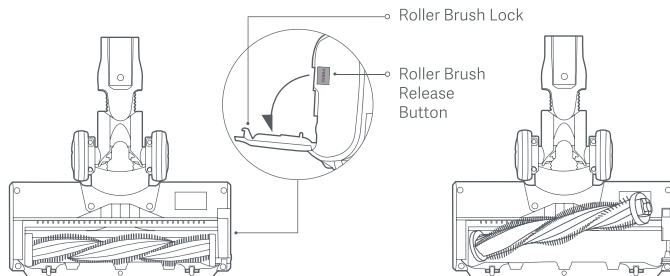
Notes:

- Never soak the filter, pre-filter, and post-filter.
- When cleaning the post-filter, rinse it repeatedly and tap its edge lightly to remove any dust and debris until it is clean.
- Do not clean the pre-filter and post-filter with your hands, a brush, or a sharp object to prevent damage.
- If the suction power is still significantly reduced after the pre-filter and post-filter are cleaned, you can try to purchase and replace them with genuine ones.



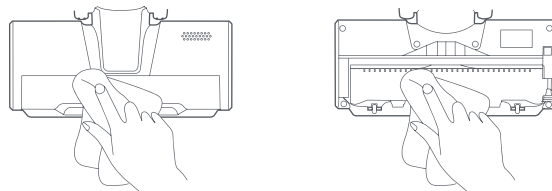
## Cleaning the electric brush bar

1. Place the brush bar upside down and press the roller brush release button to unlock the roller brush and remove it.

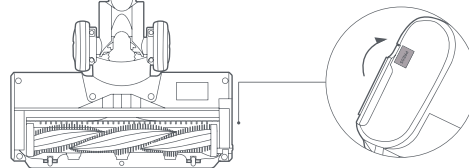


2. Use a dry cloth or paper towel to wipe dust and debris from the suction opening and the transparent cover.

Note: Do not clean the electric brush bar with water as it has a built-in motor.



3. Reinstall the roller brush, and press the lock to lock it into place.



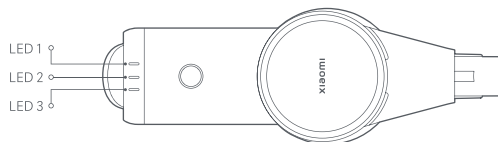
## Common Issue

Common Issue	Possible Cause	Solution
The vacuum cleaner does not work.	Battery is depleted.	Charge the vacuum cleaner before use.
	The suction opening, air duct, pre-filter, or post-filter is blocked.	Check and clean immediately.
	The filter, pre-filter, or post-filter is not installed in place.	Check and install in place.
	The battery temperature protection is triggered.	Wait until the battery temperature returns to normal, then resume use.
The suction power reduces.	The dust compartment is full, or the pre-filter or the post-filter is blocked.	Check and clean immediately.
	Brush head is clogged.	Clean the brush head.
Low battery life.	Battery is not fully charged.	Charge the vacuum cleaner before use.
	The dust compartment is full, or the pre-filter or the post-filter is blocked.	Check and clean immediately.
	Brush head is clogged.	Clean the brush head.
The roller brush does not rotate.	The roller brush is stuck by foreign objects.	Remove any foreign object, and then resume use.
	The high-temperature protection for the brush bar's motor is triggered.	Wait for the temperature of the brush bar's motor to return to normal before use.
	The conductive contacts are dirty.	Wipe the contacts with a soft dry cloth and try again.
Unable to charge.	The power supply being used is not genuine.	Only use the genuine power supply to charge the vacuum cleaner.
The battery charges slowly.	The battery temperature protection is triggered.	Wait until the battery temperature returns to normal, then resume use.

Note: If the solutions above do not resolve the issue, please contact the after-sales service team.

## Troubleshooting

If the vacuum cleaner is not working properly, the battery level indicator will display an error message. Refer to the table below for troubleshooting.



Error message	Possible Cause	Solution
LED 1, LED 2 and LED 3 blink three times simultaneously.	Power supply error	Only use the genuine power supply to charge the vacuum cleaner.
	The battery temperature protection is triggered.	Wait for the temperature of the brush bar's motor to return to normal before use.
	Battery cell error	Contact the after-sales service team
	Temperature sensor error	
	Motor error	
LED 1 blinks ten times.	Battery Depleted	Only use the genuine power supply to charge the vacuum cleaner.



## Specifications

Xiaomi Vacuum Cleaner G20 Lite			
Name	Cordless Vacuum Cleaner	Model	C203
Rated Voltage	22.2 V $\overline{\text{---}}$	Rated Power	215 W
Charging Voltage	27.0 V $\overline{\text{---}}$	Net Weight	2.4 kg
Electric Brush Bar			
Model	C203-DS	Rated Voltage	22.2 V $\overline{\text{---}}$
Rated Power	15 W		
Power Supply			
Manufacturer	Zhongshan Baolijin Electronic Co., Ltd.		
Model	BLJ15WJ270050P-V	Average Active Efficiency	85.9%
Rated Input	100–240 V $\sim$ 50/60 Hz 0.5 A	Efficiency at Low Load (10%)	73.2%
Rated Output	27.0 V $\overline{\text{---}}$ 0.5 A 13.5 W	No-load Power Consumption	0.09 W
Manufacturer	Shenzhen AMC Technology Co., Ltd.		
Model	AD-D0752700050EU01	Average Active Efficiency	84.5%
Rated Input	100–240 V $\sim$ 50/60 Hz 0.8 A	Efficiency at Low Load (10%)	75.5%
Rated Output	27.0 V $\overline{\text{---}}$ 0.5 A 13.5 W	No-load Power Consumption	0.09 W

Note: Model BLJ15WJ270050P-V and AD-D0752700050EU01 are both applicable for the vacuum cleaner, and only one comes with the package.

## Environmental Notice

The rechargeable lithium-ion battery pack of this vacuum cleaner contains chemicals that may pollute the environment. Before disposing of the vacuum cleaner, remove the batteries and then discard them at an appropriate recycling facility.

- The battery must be removed from the appliance before it is scrapped.
- The appliance must be disconnected from the supply mains when removing the battery.
- The battery is to be disposed of safely.

### CAUTIONS:

- Make sure the vacuum cleaner is disconnected from power and the batteries are fully drained before battery removal.
- Take the removed batteries to the professional recycling facility to properly dispose of them.
- Do not leave the batteries in a high-temperature environment; otherwise, they may explode.
- In the event of a battery leak, avoid contact with the liquid. If the liquid enters the eyes, rinse with plenty of water and seek medical attention immediately.

### Steps to Remove the Battery:

1. Remove the back covers of the vacuum cleaner and the handle, and remove the micro switch from the handle.
2. Use a screwdriver to remove the screws in the vacuum cleaner, then unplug the wires and take out the battery pack assembly.
3. Unscrew the two screws above the circuit board of the battery pack assembly.
4. Remove the upper and lower covers on the circuit board and battery pack, and take out the batteries.



## WARRANTY NOTICE

---

THIS WARRANTY GIVES YOU SPECIFIC RIGHTS, AND YOU MAY HAVE OTHER RIGHTS CONVEYED BY LAWS OF YOUR COUNTRY, PROVINCE OR STATE. INDEED, IN SOME COUNTRIES, PROVINCES OR STATES, CONSUMER LAW MAY IMPOSE A MINIMUM WARRANTY PERIOD. OTHER THAN AS PERMITTED BY LAW, XIAOMI DOES NOT EXCLUDE, LIMIT OR SUSPEND OTHER RIGHTS YOU MAY HAVE. FOR A FULL UNDERSTANDING OF YOUR RIGHTS WE INVITE YOU TO CONSULT THE LAWS OF YOUR COUNTRY, PROVINCE OR STATE.

### 1. LIMITED PRODUCT WARRANTY

XIAOMI warrants that the Products are free from defects in materials and workmanship under normal use and use in accordance with the respective Product user manual, during the Warranty Period. The duration and conditions related to the legal warranties are provided by respective local laws. For more information about the consumer warranty benefits, please refer to Xiaomi's official website <https://www.mi.com/global/support/warranty>.

Xiaomi warrants to the original purchaser that its Xiaomi Product will be free from defects in materials and workmanship under normal use in the period mentioned above.

Xiaomi does not guarantee that the operation of the Product will be uninterrupted or error free.

Xiaomi is not liable for damages arising from non-compliance with the instructions related to the use of the Product.

### 2. REMEDIES

If a hardware defect is found and a valid claim is received by Xiaomi within the Warranty Period, Xiaomi will either (1) repair the product at no charge, (2) replace the product, or (3) refund the Product, excluding potential shipping costs.

### 3. HOW TO OBTAIN WARRANTY SERVICE

To obtain warranty service, you must deliver the Product, in its original packaging or similar packaging providing an equal degree of Product protection, to the address specified by Xiaomi. Except to the extent prohibited by applicable law, Xiaomi may require you to present proofs or proof of purchase and / or comply with registration requirements before receiving warranty service.

### 4. EXCLUSIONS AND LIMITATIONS

Unless otherwise stipulated by Xiaomi, this Limited Warranty applies only to the Product manufactured by or for Xiaomi and identifiable by the trademarks, trade name or "Xiaomi" or "Mi" logo.

The Limited Warranty does not apply to any (a) Damage due to acts of nature or God, for example, lightning strikes, tornadoes, flood, fire, earthquake or other external causes; (b) Negligence; (c) Commercial use; (d) Alterations or modifications to any part of the Product; (e) Damage caused by use with non-Xiaomi products; (f) Damage caused by accident, abuse or misuse; (g) Damage caused by operating the Product outside the permitted or intended uses described by Xiaomi or with improper voltage or power supply; or (h) Damage caused by service (including upgrades and expansions) performed by anyone who is not a representative of Xiaomi.

It is your responsibility to backup any data, software, or other materials you may have stored or preserved on the product. It is likely that the data, software or other materials in the equipment will be lost or reformatted during the service process, Xiaomi is not responsible for such damage or loss.

No Xiaomi reseller, agent, or employee is authorized to make any modification, extension, or addition to this Limited Warranty. If any term is held to be illegal or unenforceable, the legality or enforceability of the remaining terms shall not be affected or impaired.

Except as prohibited by laws or otherwise promised by Xiaomi, the after-sales services shall be limited to the country or region of the original purchase.

Products which were not duly imported and/or were not duly manufactured by Xiaomi and/or were not duly acquired from Xiaomi or a Xiaomi's official seller are not covered by the present warranties.

As per applicable law you may benefit from warranties from the non-official retailer who sold the product. Therefore, Xiaomi invites you to contact the retailer from whom you purchased the product.

The present warranties do not apply in Hong Kong and Taiwan.

### 5. IMPLIED WARRANTIES

Except to the extent prohibited by applicable law, all implied warranties (including warranties of merchantability and fitness for a particular purpose) will have a limited duration up to a maximum duration of this limited warranty. Some jurisdictions do not allow limitations on the duration of an implied warranty, so the above limitation will not be applied in these cases.

### 6. DAMAGE LIMITATION

Except to the extent prohibited by applicable law, Xiaomi shall not be liable for any damages caused by accidents, indirect, special or consequential damages, including but not limited to loss of profits, revenue or data, damages resulting from any breach of express or implied warranty or condition, or under any other legal theory, even if Xiaomi has been informed of the possibility of such damages. Some jurisdictions do not allow the exclusion or limitation of special, indirect, or consequential damages, so the above limitation or exclusion may not apply to you.

### 7. XIAOMI CONTACTS

For customers, please visit the website: <https://www.mi.com/global/support/warranty>

The contact person for the after-sale service may be any person in Xiaomi's authorized service network, Xiaomi's authorized distributors or the final vendor who sold the products to you. If in doubt please contact the relevant person as Xiaomi may identify.



## Istruzioni di sicurezza

Questo prodotto è destinato esclusivamente all'utilizzo domestico. Leggere attentamente il presente manuale prima dell'uso del dispositivo e conservarlo per ogni riferimento futuro.

- L'apparecchio può essere utilizzato da bambini di età superiore agli 8 anni e da persone con capacità mentali, fisiche o sensoriali ridotte oppure da persone prive di esperienza o conoscenza dell'apparecchio, purché siano sorvegliate o siano state istruite sull'utilizzo in sicurezza dell'apparecchio e comprendano i rischi che ne possono derivare. Non consentire ai bambini di giocare con l'apparecchio. Le operazioni di pulizia e manutenzione non devono essere effettuate da bambini, a meno che non siano sorvegliati.
- Questo apparecchio contiene batterie sostituibili solo da personale adeguatamente formato.
- L'apparecchio deve essere utilizzato esclusivamente con l'unità di alimentazione fornita con l'apparecchio.
- Questo aspirapolvere è progettato esclusivamente per l'uso domestico. Non utilizzarlo né installarlo all'aria aperta o in ambienti commerciali o industriali.
- Se l'apparecchio passa sopra il cavo di alimentazione potrebbe causare un pericolo.
- Prima di procedere alla pulizia o alla manutenzione dell'apparecchio, è necessario rimuovere la spina dalla presa della corrente.
- Per ridurre il rischio di incendio, esplosione o lesioni personali, verificare che l'alimentatore non sia danneggiato prima dell'uso. Non utilizzare l'aspirapolvere se l'alimentatore è danneggiato.
- Se il caricabatterie o la batteria vengono danneggiati, è necessario sostituirli con un componente originale acquistato dal produttore o tramite il servizio di assistenza post-vendita.
- Assicurarsi di spegnere l'aspirapolvere prima di pulire o sostituire la spazzola a rullo.
- La barra della spazzola elettrica, l'asta di prolunga e l'aspirapolvere conducono elettricità e non devono essere immersi in acqua o altri liquidi. Assicurarsi che il filtro, il pre-filtro e il post-filtro siano completamente asciutti dopo la pulizia.
- Per evitare lesioni, spegnere l'aspirapolvere e rimuovere la barra della spazzola elettrica prima di procedere alla pulizia e alla manutenzione. Non utilizzare l'aspirapolvere prima di aver installato correttamente la barra della spazzola elettrica, il coperchio del vano polvere, il filtro, il pre-filtro e il post-filtro.
- Esaminare periodicamente l'asta di prolunga e se danneggiata non usarla.
- Non usare l'aspirapolvere per raccogliere liquidi infiammabili o esplosivi come benzina, né altri liquidi come acqua o liquidi tossici come candeggina, ammoniaca e detersivi per la pulizia dello scarico.
- Non usare l'aspirapolvere per aspirare il toner usato nelle stampanti laser e nelle fotocopiatrici, perché il toner può causare incendi o esplosioni.
- Non utilizzare l'aspirapolvere per raccogliere residui di muro a secco, cenere, come quella del camino, o materiali incandescenti come carbone, mozziconi di sigaretta o fiammiferi.
- Non utilizzare l'aspirapolvere per raccogliere oggetti duri o taglienti, ad esempio vetro, chiodi, viti o monete, che potrebbero danneggiarlo.
- Non usare l'aspirapolvere per pulire macchie di sostanze oleose spesse, adesivi forti o coloranti, come lucido da scarpe, vernici e pigmenti.
- Assicurarsi di tenere capelli, indumenti larghi, dita e altre parti del corpo lontano dalle bocchette e dalle parti in movimento dell'aspirapolvere.
- Non puntare la bocchetta di aspirazione, l'asta di prolunga o altri accessori verso gli occhi o le orecchie, né metterli in bocca.
- Non inserire oggetti nelle bocchette dell'aspirapolvere, né utilizzare l'aspirapolvere con le bocchette ostruite. Rimuovere polvere, lanugine, capelli o altri elementi che potrebbero ridurre la potenza di aspirazione dell'aspirapolvere.
- Non appoggiare l'aspirapolvere su superfici instabili come sedie o tavoli per evitare danni o lesioni personali causati dalla sua caduta.
- Non ricaricare né riporre l'aspirapolvere vicino a fonti di calore o in zone umide (ad es. vicino a un termosifone o in cucina o in bagno).
- Non esporre l'apparecchiatura o la batteria a temperature eccessive.
- Prestare attenzione al rischio di corto circuito, causato da oggetti metallici, dei terminali dell'apparecchio a batteria o dei terminali della batteria.
- Usare solo parti di ricambio approvate da Xiaomi.
- In caso di perdite della batteria, evitare il contatto con il liquido e smaltire la batteria in una struttura di riciclaggio approvata dal governo. In caso di contatto con gli occhi, sciacquare abbondantemente con acqua e consultare immediatamente un medico.
- Prestare la massima attenzione quando si utilizza l'aspirapolvere per pulire scale.
- Avvertenza sul rischio di incendio: non applicare alcun tipo di profumo al pre-filtro e al post-filtro dell'aspirapolvere. In genere, questa tipologia di prodotti contiene sostanze chimiche infiammabili, che possono far prendere fuoco all'aspirapolvere.
- Seguire rigorosamente le istruzioni di questo manuale utente per caricare l'aspirapolvere a una temperatura ambiente compresa tra 0°C e 35°C. Una ricarica impropria può provocare danni alla batteria.
- Attenersi scrupolosamente alle istruzioni di questo manuale utente durante l'utilizzo dell'aspirapolvere. Gli utenti sono responsabili di eventuali perdite o danni derivanti dall'uso improprio dell'aspirapolvere.
- **AVVERTENZA:** utilizzare esclusivamente l'unità di alimentazione fornita con questo apparecchio.
- **AVVERTENZA:** per ricaricare la batteria, utilizzare esclusivamente l'unità di alimentazione staccabile fornita con l'apparecchio.
- Utilizzare soltanto con l'unità di alimentazione BLJ15WJ270050P-V o AD-D0752700050EU1.

## Informazioni sulla conformità a normative e standard



### Dichiarazione di conformità europea

Con la presente, Beijing Shunzao Technology Co., Ltd. dichiara che questo apparecchio è conforme alle direttive applicabili e alle norme europee, nonché ai relativi emendamenti. Il testo completo della dichiarazione di conformità UE è disponibile al seguente indirizzo Internet: <http://www.mi.com/global/service/support/declaration.html>



### Informazioni sullo smaltimento e sul riciclaggio dei RAEE

Tutti i prodotti contrassegnati da questo simbolo sono rifiuti di apparecchiature elettriche ed elettroniche (RAEE in base alla direttiva 2012/19/UE) che non devono essere smaltiti assieme ai rifiuti domestici non differenziati. Al contrario, è necessario proteggere l'ambiente e la salute umana consegnando i rifiuti a un punto di raccolta autorizzato al riciclaggio di rifiuti di apparecchiature elettriche ed elettroniche, predisposto dalla pubblica amministrazione o dalle autorità locali. Lo smaltimento e il riciclaggio corretti aiutano a prevenire conseguenze potenzialmente negative per l'ambiente e la salute umana. Contattare l'installatore o le autorità locali per ulteriori informazioni sulla sede e per i termini e le condizioni di tali punti di raccolta.



## Consignes relatives à la sécurité

Ce produit est réservé à un usage domestique. Lisez attentivement ce manuel avant toute utilisation et conservez-le pour pouvoir le consulter ultérieurement.

- Cet appareil peut être utilisé par des enfants d'au moins 8 ans, des personnes aux aptitudes physiques, sensorielles ou mentales réduites ou encore manquant d'expérience et de connaissances, à condition qu'ils soient surveillés ou sensibilisés à l'utilisation de manière sécurisée de l'appareil et qu'ils comprennent les risques impliqués. Les enfants ne doivent pas jouer avec l'appareil. Le nettoyage et l'entretien par l'utilisateur ne doivent pas être effectués par des enfants sans surveillance.
- Ce produit contient des batteries ne pouvant être remplacées que par des personnes compétentes.
- L'appareil ne doit être utilisé qu'avec le bloc d'alimentation fourni avec l'appareil.
- L'aspirateur est conçu pour usage en intérieur uniquement. Ne l'utilisez pas et ne l'installez pas dans des environnements extérieurs, industriels ou commerciaux.
- Un risque peut survenir si l'appareil passe sur le cordon d'alimentation.
- La fiche doit être retirée de la prise de courant avant de nettoyer ou d'entretenir l'appareil.
- Pour réduire les risques d'incendie, d'explosion ou de blessures corporelles, vérifiez avant d'utiliser l'alimentation électrique pour vous assurer qu'elle n'est pas endommagée. N'utilisez pas l'aspirateur si l'adaptateur secteur est endommagé.
- Si le chargeur ou la batterie est endommagé(e), vous devez le/la remplacer par une pièce dédiée achetée auprès du fabricant ou de son service après-vente.
- Veillez à éteindre l'aspirateur avant de nettoyer ou de remplacer la brosse à rouleau.
- La barre à brosse électrique, la tige de rallonge et l'aspirateur sont conducteurs d'électricité et ne doivent pas être immergés dans l'eau ou tout autre liquide. Assurez-vous que le filtre, le préfiltre et le post-filtre sont entièrement secs après le nettoyage.
- Pour éviter les blessures corporelles, éteignez l'aspirateur et retirez la barre à brosse électrique avant le nettoyage et l'entretien. N'utilisez pas l'aspirateur avant d'installer la barre à brosse électrique, le couvercle du compartiment à poussière, le filtre, le préfiltre et le post-filtre correctement.
- Examinez périodiquement la tige de rallonge et ne l'utilisez pas si elle est endommagée.
- Ne laissez pas l'aspirateur aspirer des liquides inflammables ou explosifs comme de l'essence ou d'autres liquides tels que l'eau ou les liquides toxiques comme de l'eau de Javel, de l'ammoniac et du nettoyant pour canalisation.
- N'utilisez pas l'aspirateur pour nettoyer les toners utilisés dans les imprimantes laser et les copieurs, car il peut provoquer un incendie ou une explosion.
- N'utilisez pas l'aspirateur pour aspirer des particules de plâtre, des cendres, des matériaux de combustion ou des substances fongiques comme du charbon, des mégots de cigarette ou des allumettes.
- N'utilisez pas l'aspirateur pour aspirer des objets durs ou pointus comme du verre, des clous, des vis ou des pièces de monnaie, sous peine d'endommager le produit.
- N'utilisez pas l'aspirateur pour nettoyer des taches de substances grasses et épaisses, de colle forte ou de colorants, comme le cirage, les peintures et les pigments.
- Gardez les cheveux, les vêtements amples, les doigts ou toute autre partie du corps à l'écart des ouvertures et des pièces mobiles de l'aspirateur.
- Ne pointez pas l'ouverture du suceur, la tige de rallonge et d'autres accessoires vers vos yeux ou vos oreilles et ne les mettez pas non plus dans votre bouche.
- Ne placez aucun objet dans les orifices de l'aspirateur. N'utilisez pas l'aspirateur en cas d'obstruction d'un des orifices. Retirez la poussière, les peluches, les cheveux ou tout autre élément susceptible de réduire la puissance d'aspiration de l'aspirateur.
- Ne placez pas l'aspirateur sur des surfaces instables telles que les chaises ou les tables afin de prévenir des dommages ou des blessures corporelles du fait de sa chute.
- Ne chargez pas ou ne stockez pas l'aspirateur à proximité de sources de chaleur ou dans des endroits humides, comme près d'un radiateur, dans une cuisine ou une salle de bains.
- N'exposez pas l'appareil ou la batterie à des températures excessives.
- Faites attention au risque de court-circuit des bornes de l'appareil fonctionnant sur batterie ou de la batterie par des objets métalliques.
- Utilisez uniquement des pièces de rechange agréées par Xiaomi.
- Si la batterie fuit, ne touchez pas le liquide qui s'en échappe et jetez-la dans un centre de recyclage agréé par le gouvernement. En cas de contact avec les yeux, rincez abondamment à l'eau et consultez immédiatement un médecin.
- Soyez très vigilant lorsque vous utilisez l'aspirateur pour nettoyer un escalier.
- Avertissement de risque d'incendie : n'appliquez aucun type de parfum au préfiltre et au post-filtre de l'aspirateur. Ces types de produits contiennent des substances inflammables pouvant mettre le feu à l'aspirateur.
- Suivez strictement les instructions de ce manuel d'utilisation pour charger l'aspirateur à une température ambiante comprise entre 0 °C à 35 °C. Une charge incorrecte peut endommager la batterie.
- Suivez strictement les instructions figurant dans ce manuel d'utilisation lorsque vous utilisez l'aspirateur. Les utilisateurs sont responsables de toute perte ou de tout dommage résultant d'une utilisation incorrecte de l'aspirateur.
- **AVERTISSEMENT :** Utilisez uniquement le bloc d'alimentation fourni avec cet appareil.
- **AVERTISSEMENT :** Pour les besoins de recharge de la batterie, utilisez uniquement le bloc d'alimentation amovible fourni avec cet appareil.
- Utilisez uniquement un bloc d'alimentation BLJ15WJ270050P-V ou AD-D0752700050EU01.

## Informations sur la conformité et les réglementations



### Déclaration de conformité pour l'Union européenne

Par la présente, nous, Beijing Shunzao Technology Co., Ltd., déclarons que cet équipement est conforme aux directives et normes européennes applicables, ainsi qu'à leurs amendements. L'intégralité de la déclaration de conformité pour l'UE est disponible à l'adresse suivante : <http://www.mi.com/global/service/support/declaration.html>



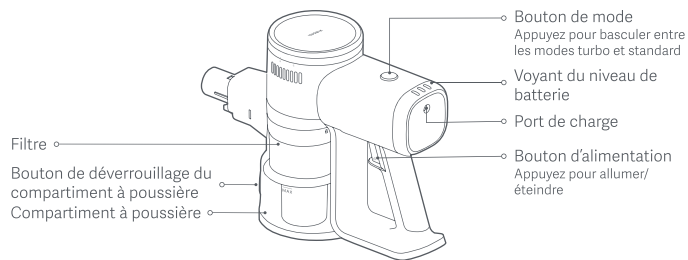
### Informations sur la réglementation DEEE sur la mise au rebut et le recyclage

Tous les produits portant ce symbole deviennent des déchets d'équipements électriques et électroniques (DEEE dans la Directive européenne 2012/19/UE) qui ne doivent pas être mélangés aux déchets ménagers non triés. Vous devez contribuer à la protection de l'environnement et de la santé humaine en apportant l'équipement usagé à un point de collecte dédié au recyclage des équipements électriques et électroniques, agréé par le gouvernement ou les autorités locales. Le recyclage et la destruction appropriés permettront d'éviter tout impact potentiellement négatif sur l'environnement et la santé humaine. Contactez l'installateur ou les autorités locales pour obtenir plus d'informations concernant l'emplacement ainsi que les conditions d'utilisation de ce type de point de collecte.

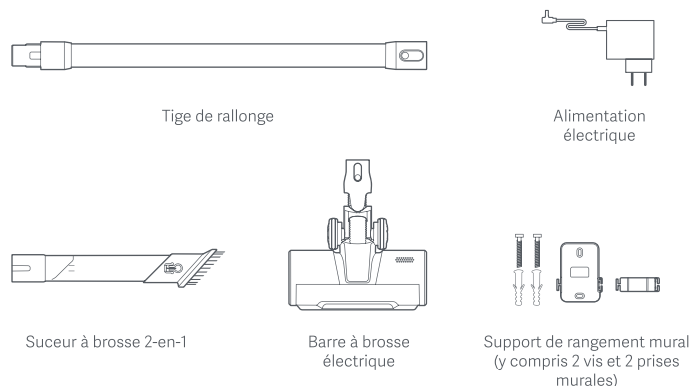


## Présentation du produit

### Aspirateur



### Liste d'accessoires



Remarque : Les illustrations du produit, les accessoires et l'interface utilisateur présents dans le manuel d'utilisation sont uniquement fournis à titre indicatif. Le produit actuel et les fonctions effectives peuvent varier en raison des améliorations apportées au produit.

## Installation

### Installation des accessoires sur l'aspirateur

- Connexion de la tige de rallonge à l'aspirateur et à la barre à brosse électrique

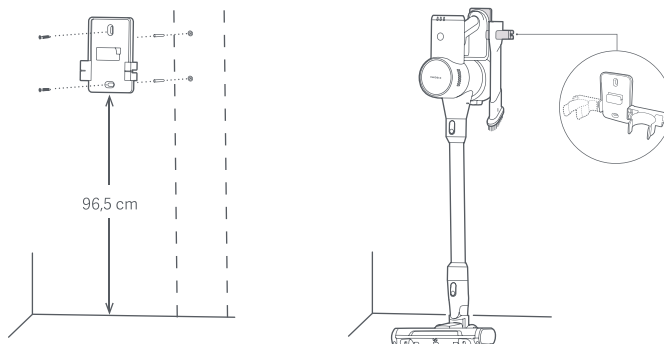


- Connexion du suceur à brosse 2-en-1 à l'aspirateur

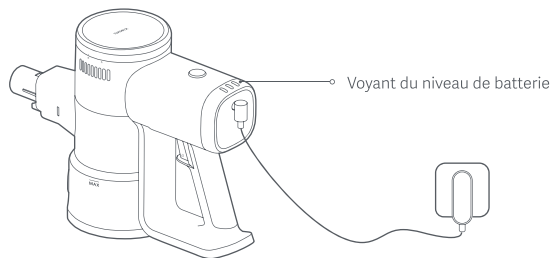


### Installation du support de rangement mural

- Choisissez un endroit frais et sec pourvu d'une prise électrique à côté. Avant l'installation, veillez à ce qu'il n'y ait pas de fil électrique ou de tuyauterie sur le mur directement derrière où sera installé le support.
- La distance recommandée entre le fond du support de rangement mural et le sol est de 96,5 cm.
- Tenez en position le support de rangement mural et faites des marques sur le mur en fonction des trous sur le support.
- À l'aide d'une perceuse électrique et un foret de 8 mm, percez des trous d'environ 40 mm de profondeur à chaque repère et insérez des prises murales dans chaque trou.
- Alignez les trous de montage sur le support de rangement mural avec les trous sur le mur, puis utilisez les vis incluses pour fixer le support au mur.



## Charge en cours



### Description de l'état du voyant du niveau de batterie

● À l'arrêt      ☀ Clignotant      ○ Activé

#### En fonctionnement

○ ● ● Batterie faible      ○ ○ ○ Batterie presque pleine  
○ ○ ● Batterie à moitié vide

#### Charge en cours

☀ ● ● Batterie faible      ○ ○ ☀ Batterie presque pleine  
○ ☀ ● Batterie à moitié vide      ○ ○ ○ Entièrement chargée

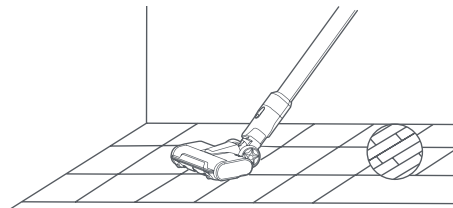
#### Remarques :

- Chargez entièrement la batterie de l'aspirateur avant la première utilisation. Cette opération dure environ 5 heures.
- L'aspirateur ne peut pas être utilisé pendant la charge.
- Une fois l'aspirateur entièrement chargé, le voyant s'éteint au bout de 20 secondes et l'aspirateur passe en mode économie d'énergie.
- Le fonctionnement de l'appareil au plus haut niveau d'aspiration pendant une période prolongée peut entraîner la surchauffe de la batterie, ce qui est susceptible d'augmenter le temps de charge. Avant de recharger l'aspirateur, il est préférable de le laisser refroidir pendant 30 minutes.

## Utilisation

### Barre à brosse électrique

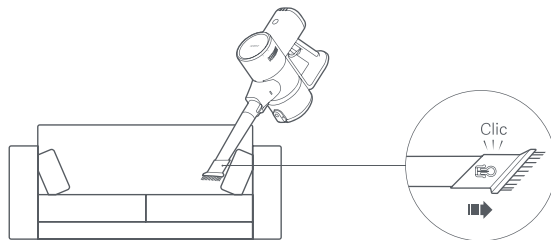
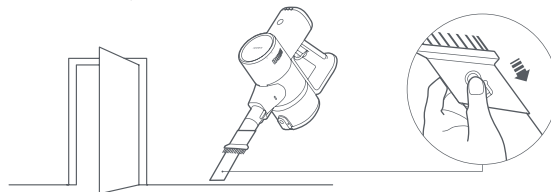
Pour nettoyer les sols en marbre, le parquet et la moquette à poils ras.



### Suceur à brosse 2-en-1

Convenable pour nettoyer des endroits avec fissures, tels que les claviers, les rideaux, les canapés les plafonds, les coins et les intérieurs de voiture.

Remarque : Pour éviter des risques de sécurité potentiels, n'exposez pas l'aspirateur à la lumière directe du soleil, ne le rangez pas dans des environnements ayant des températures élevées tel que l'intérieur d'une voiture en été.





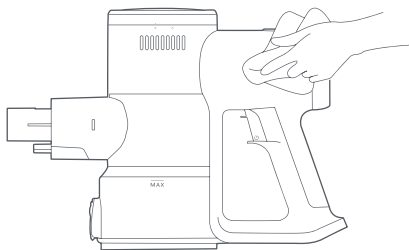
## Entretien et maintenance

### PRÉCAUTIONS :

- Avant l'entretien et la maintenance, débranchez l'alimentation électrique et veillez à éteindre l'aspirateur.
- Utilisez toujours des pièces d'origine pour assurer le bon fonctionnement de l'aspirateur et ne pas annuler la garantie.
- Si le filtre, le préfiltre, le post-filtre, la tige de rallonge ou le suceur à brosse 2-en-1 est bloqué, l'aspirateur cessera de fonctionner. Avant d'utiliser l'aspirateur à nouveau, éteignez-le et nettoyez la partie bloquée.
- Si la barre à brosse est bloquée, elle cessera de fonctionner mais l'aspirateur lui-même ne cessera pas. Avant d'utiliser l'aspirateur à nouveau, éteignez-le et nettoyez la barre à brosse.
- Avant le nettoyage, retirez l'embout brosse de l'aspirateur pour éviter toute blessure si l'aspirateur venait à s'allumer de manière accidentelle.
- Si vous ne prévoyez pas d'utiliser l'aspirateur pendant une période prolongée, chargez-le entièrement, débranchez-le, puis entreposez-le dans un endroit frais, à l'abri de l'humidité et de la lumière directe du soleil.
- Afin d'éviter une décharge excessive de la batterie, rechargez l'aspirateur au moins une fois tous les trois mois.

### Nettoyage de l'aspirateur

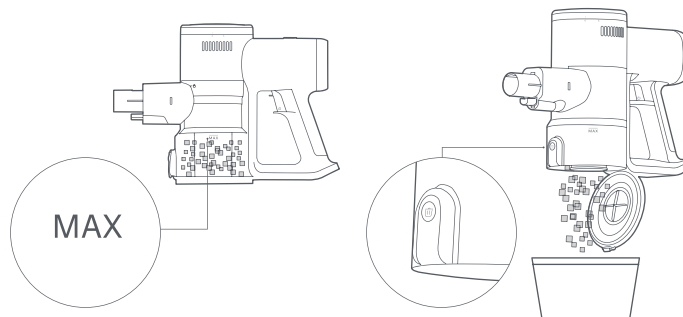
Essuyez l'aspirateur avec un chiffon doux et sec.



### Nettoyage du compartiment à poussière

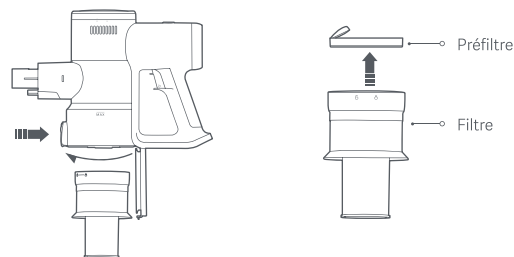
Avant de nettoyer le compartiment à poussière, débranchez l'alimentation électrique et retirez la tige de rallonge. La capacité de nettoyage de l'aspirateur diminuera si le compartiment à poussière est rempli jusqu'au niveau « MAX ». Videz le compartiment à poussière pour améliorer les performances.

- Vidange du compartiment à poussière : Tenez le compartiment à poussière au-dessus d'une poubelle et appuyez sur le bouton de déverrouillage du compartiment à poussière pour le vider.

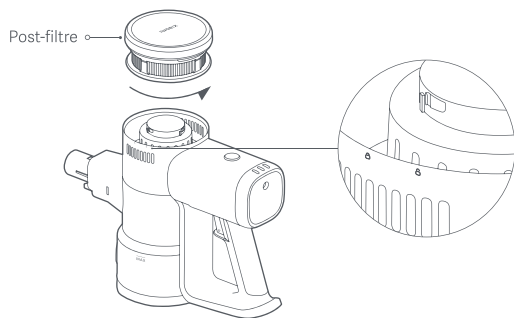


### Nettoyage de l'ensemble de filtre

1. Appuyez le bouton de déverrouillage du compartiment à poussière pour ouvrir le compartiment à poussière, tournez le filtre suivant l'illustration pour le retirer, puis retirez le préfiltre du filtre.



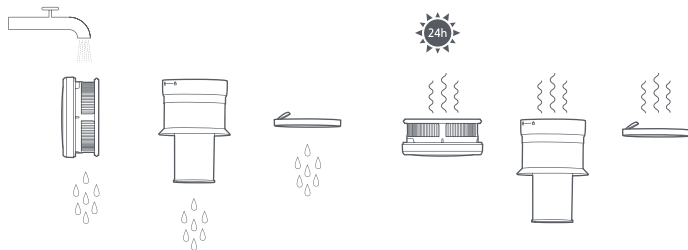
2. Tournez le post-filtre suivant l'illustration pour le retirer.



3. Rincez le filtre, le préfiltre, et le post-filtre sous de l'eau courante claire jusqu'à ce qu'ils soient propres, puis mettez-les de côté pour les laisser sécher entièrement pendant au moins 24 heures.

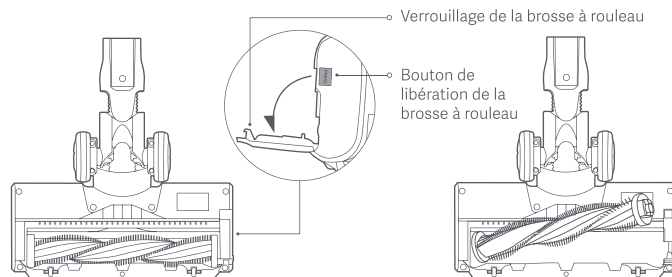
Remarques :

- Ne trempez jamais le filtre, le préfiltre, et le post-filtre.
- Lors du nettoyage du post-filtre, rincez-le de manière répétitive et tapez ses bords légèrement pour retirer la poussière et les débris jusqu'à ce qu'il soit propre.
- Ne nettoyez pas le préfiltre et le post-filtre avec les mains, une brosse ou un objet tranchant pour éviter des dommages.
- Si la puissance d'aspiration reste réduite de manière significative après le nettoyage du préfiltre et du post-filtre, vous pouvez essayer d'acheter des pièces d'origine pour les remplacer.



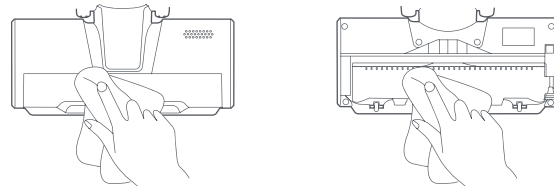
## Nettoyage de la barre à brosse électrique

1. Placez la barre à brosse électrique à l'envers et appuyez sur le bouton de libération de la brosse à rouleau pour déverrouiller la brosse à rouleau et la retirer.

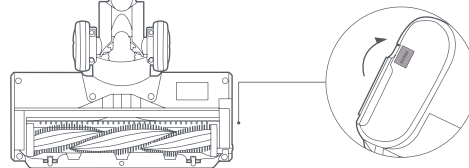


2. Utilisez un tissu sec ou un essuie-tout pour nettoyer la poussière et les débris l'ouverture d'aspiration et le couvercle transparent.

Remarque : Ne nettoyez pas la barre à brosse électrique avec de l'eau puisqu'elle dispose d'un moteur intégré.



3. Réinstallez la brosse à rouleau, puis appuyez le verrou pour le verrouiller en position.



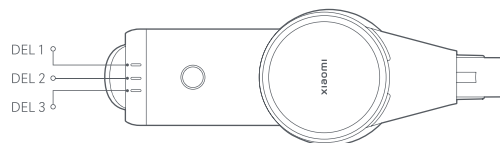
## Problèmes fréquents

Problèmes fréquents	Cause possible	Solution
L'aspirateur ne fonctionne pas.	La batterie est épuisée.	Chargez l'aspirateur avant de l'utiliser.
	L'ouverture d'aspiration, le conduit d'air, le préfiltre ou le post-filtre est bloqué.	Vérifiez et nettoyez immédiatement.
	Le filtre, le préfiltre ou le post-filtre n'est pas installé en position.	Vérifiez et installez en position.
	La protection contre la température de la batterie s'est déclenchée.	Attendez que la température de la batterie revienne à un niveau normal, puis poursuivez l'utilisation.
La puissance d'aspiration est affaiblie.	Le compartiment à poussière est plein, ou le préfiltre ou le post-filtre est bloqué.	Vérifiez et nettoyez immédiatement.
	L'embout brosse est encrassé.	Nettoyez la tête de brosse.
Faible niveau de la batterie.	La batterie n'est pas entièrement chargée.	Chargez l'aspirateur avant de l'utiliser.
	Le compartiment à poussière est plein, ou le préfiltre ou le post-filtre est bloqué.	Vérifiez et nettoyez immédiatement.
	L'embout brosse est encrassé.	Nettoyez la tête de brosse.
La brosse à rouleau ne tourne pas.	La brosse à rouleau est coincée par des corps étrangers.	Retirez tout corps étranger, puis poursuivez l'utilisation.
	La protection contre la température élevée du moteur de la barre à brosse s'est déclenchée.	Attendez que la température du moteur de la barre à brosse revienne à un niveau normal avant d'utiliser.
	Les contacts conducteurs sont sales.	Nettoyez les contacts à l'aide d'un tissu doux et sec et réessayez.
Charge impossible.	L'alimentation électrique utilisée n'est pas celle d'origine.	N'utilisez que l'alimentation électrique d'origine pour charger l'aspirateur.
La batterie charge lentement.	La protection contre la température de la batterie s'est déclenchée.	Attendez que la température de la batterie revienne à un niveau normal, puis poursuivez l'utilisation.

Remarque : Si les solutions susmentionnées ne parviennent pas à résoudre les problèmes, veuillez contacter l'équipe du service après-vente.

## Dépannage

Si l'aspirateur ne fonctionne pas correctement, le voyant du niveau de batterie affichera un message d'erreur. Consultez le tableau ci-dessous pour le dépannage.



Message d'erreur	Cause possible	Solution
DEL 1, DEL 2 et DEL 3 clignotent trois fois de manière simultanée.	Erreur d'alimentation électrique	N'utilisez que l'alimentation électrique d'origine pour charger l'aspirateur.
	La protection contre la température de la batterie s'est déclenchée.	Attendez que la température du moteur de la barre à brosse revienne à un niveau normal avant d'utiliser.
	Erreur de cellule de la batterie	Contactez l'équipe du service après-vente
	Erreur du capteur de température	
	Erreur de moteur	
DEL 1 clignote dix fois.	Batterie épuisée	N'utilisez que l'alimentation électrique d'origine pour charger l'aspirateur.



## Caractéristiques

Xiaomi Vacuum Cleaner G20 Lite			
Nom	Aspirateur sans fil	Modèle	C203
Tension nominale	22,2 V $\equiv$	Puissance nominale	215 W
Tension de charge	27,0 V $\equiv$	Poids net	2,4 kg
Barre à brosse électrique			
Modèle	C203-DS	Tension nominale	22,2 V $\equiv$
Puissance nominale	15 W		
Alimentation électrique			
Fabricant	Zhongshan Baolijin Electronic Co., Ltd.		
Modèle	BLJ15WJ270050P-V	Efficacité moyenne active	85,9 %
Entrée nominale	100-240 V ~ 50/60 Hz 0,5 A	Efficacité à faible charge (10 %)	73,2 %
Sortie nominale	27,0 V $\equiv$ 0,5 A 13,5 W	Consommation électrique sans charge	0,09 W
Fabricant	Shenzhen AMC Technology Co., Ltd.		
Modèle	AD-D0752700050EU01	Efficacité moyenne active	84,5 %
Entrée nominale	100-240 V ~ 50/60 Hz 0,8 A	Efficacité à faible charge (10 %)	75,5 %
Sortie nominale	27,0 V $\equiv$ 0,5 A 13,5 W	Consommation électrique sans charge	0,09 W

Remarque : Les modèles BLJ15WJ270050P-V et AD-D0752700050EU01 sont tous les deux applicables pour l'aspirateur et un seul vient avec le paquet.

## Avis environnemental

Le bloc-batterie au lithium-ion rechargeable de cet aspirateur contient des substances chimiques qui peuvent polluer l'environnement. Avant de jeter cet aspirateur, retirez les batteries, puis déposez-les dans une installation de recyclage approprié.

- La batterie doit être retirée de l'appareil avant d'être éliminée.
- L'appareil doit être déconnecté de toute alimentation électrique avant le retrait de la batterie.
- La batterie doit être mise au rebut de manière sûre.

### PRÉCAUTIONS :

- Assurez-vous que l'aspirateur est déconnecté de l'alimentation et que les batteries sont complètement épuisées avant de les retirer.
- Déposez les batteries retirées auprès d'un centre de recyclage professionnel pour être correctement mises au rebut.
- Ne laissez pas les batteries dans des environnements où la température est élevée, sinon elles peuvent exploser.
- En cas de fuite de la batterie, évitez tout contact avec le liquide. Si le liquide entre en contact avec vos yeux, rincez-les abondamment à l'eau et consultez immédiatement un médecin.

### Étapes à suivre pour retirer la batterie :

1. Retirez les couvercles arrière de l'aspirateur et le manche, et retirez le mini commutateur du manche.
2. Utilisez un tournevis pour retirer les vis de l'aspirateur, puis débranchez les câbles et sortez l'assemblage du bloc-batterie.
3. Dévissez les deux vis au-dessus de la carte du circuit imprimé de l'assemblage du bloc-batterie.
4. Retirez les couvercles supérieur et inférieur sur la carte du circuit imprimé et le bloc-batterie, et sortez les batteries.



# GARANTIE

CETTE GARANTIE VOUS DONNE DES DROITS SPÉCIFIQUES ET IL EST POSSIBLE DE PROFITER D'AUTRES DROITS OCTROYÉS PAR LES LOIS APPLICABLES DANS VOTRE PAYS, VOTRE RÉGION OU VOTRE DÉPARTEMENT. EN EFFET, DANS CERTAINS PAYS, PROVINCES OU DÉPARTEMENTS, LES DROITS DU CONSOMMATEUR PEUVENT IMPOSER UNE PÉRIODE DE GARANTIE MINIMALE. AUTRES QUE LES LIMITES PERMISES PAR LA LOI, XIAOMI N'EXCLUT PAS, LIMITE NI SUSPEND D'AUTRES DROITS QUE VOUS POUVEZ DÉTENIR. POUR COMPRENDRE PLEINEMENT VOS DROITS, CONSULTEZ LES LOIS APPLICABLES DANS VOTRE PAYS, PROVINCE OU DÉPARTEMENT.

## 1. GARANTIE LIMITÉE DE PRODUIT

XIAOMI garantit que les Produits sont exempts de tout défaut matériel ou de conception dans le cadre d'une utilisation normale en accord avec le mode d'emploi dudit Produit et dans la Durée de garantie. La durée et les conditions relatives aux garanties légales sont prévues par les lois locales afférentes. Pour plus d'informations sur les avantages de la garantie du consommateur, veuillez consulter le site web officiel de Xiaomi <https://www.mi.com/global/support/warranty>.

Xiaomi garantit à l'acheteur d'origine que le produit Xiaomi est exempt de tout défaut matériel ou de conception dans le cadre d'une utilisation normale dans la période mentionnée ci-dessus.

Xiaomi ne garantit pas que le fonctionnement du Produit restera ininterrompu et exempt d'erreur.

Xiaomi n'est pas responsable des dommages découlant d'une non-conformité aux instructions liées à l'utilisation du produit.

## 2. SOLUTIONS

Si un défaut matériel est rencontré et une réclamation fondée est reçue par Xiaomi pendant la période de garantie, Xiaomi va soit (1) réparer le produit gratuitement, (2) échanger le produit, ou (3) rembourser le produit, frais d'expédition exclus.

## 3. COMMENT PROFITER D'UN SERVICE DE GARANTIE

Pour bénéficier du service de garantie, vous devez fournir le Produit à l'adresse spécifiée par Xiaomi, dans son emballage d'origine ou dans un emballage similaire garantissant le même degré de protection. Sauf mesures prohibées par la loi applicable, Xiaomi peut vous demander de présenter des preuves d'achat et/ou de vous conformer aux exigences d'inscription avant de profiter du service de garantie.

## 4. EXCLUSIONS ET LIMITATIONS

Sauf stipulation contraire mentionnée par Xiaomi, la présente Garantie limitée s'applique uniquement au Produit fabriqué par ou pour Xiaomi et identifiable par les marques commerciales, le nom commercial ou le logo « Xiaomi » ou « Mi ».

La Garantie limitée ne s'applique pas (a) aux dégâts dus aux catastrophes naturelles, comme la foudre, les tornades, les inondations, les incendies, les tremblements de terre ou autres causes externes (b) aux négligences, (c) à l'utilisation commerciale, (d) aux modifications de tout ou partie du Produit, (e) aux dommages provoqués par une utilisation avec des Produits non-Xiaomi, (f) aux dommages provoqués par un accident, un abus, une mauvaise utilisation (g) aux dommages provoqués par l'utilisation du Produit hors des utilisations autorisées ou prévues décrites par Xiaomi ou avec une tension ou une alimentation électrique inappropriée, ou (h) aux dommages provoqués par une maintenance (mises à niveau ou extensions comprises) réalisée par une personne non représentative de Xiaomi. Il en va de votre responsabilité de sauvegarder les données, le logiciel ou tout autre matériel que vous pourriez avoir stocké ou préservé sur le Produit. Il est probable que les données, le logiciel ou d'autres matériels de l'équipement soient perdus ou formatés lors d'une maintenance. Xiaomi n'est pas responsable de ce type de dommages ou de pertes.

Aucun revendeur, agent ou employé de Xiaomi n'est autorisé à apporter des modifications, des extensions ou des ajouts à la présente Garantie limitée. Si une disposition est jugée illégale ou inapplicable, la légitimité et l'applicabilité des dispositions restantes ne sauraient être affectées ou impactées.

Sauf mesures prohibées par la loi ou promesse contraire par Xiaomi, les services après-ventes sont limités au pays ou à la région de l'achat initial.

Les produits qui n'ont pas été dûment importés et/ou n'ont pas été dûment fabriqués par Xiaomi et/ou n'ont pas été dûment obtenus chez Xiaomi ou un vendeur officiel de Xiaomi ne sont pas couverts par les présentes garanties. Conformément à la loi applicable, vous pouvez bénéficier des garanties depuis le détaillant non officiel qui vous a vendu le produit. Pour cela, Xiaomi vous invite à contacter le détaillant auprès duquel vous avez acheté le produit.

Les présentes garanties ne s'appliquent pas à Hong Kong et à Taïwan.

## 5. GARANTIES IMPLICITES

Sauf mesures prohibées par la loi applicable, toutes les garanties implicites (notamment les garanties de commercialisation et de conformité pour un but spécifique) disposeront d'une durée de garantie limitée allant jusqu'à la durée maximale de la présente garantie limitée. Certaines juridictions n'autorisent pas les limitations de durée d'une garantie implicite. La limitation ci-dessus ne s'applique donc pas à de tels cas.

## 6. LIMITATION DES DOMMAGES

Sauf mesures prohibées par la loi applicable, Xiaomi ne devrait être tenue pour tous dommages provoqués par des accidents, indirects, spécifiques ou consécutifs, notamment les pertes de bénéfices, de chiffre d'affaires ou de données, résultant de toute brèche dans une garantie ou condition expresse ou implicite, ou sous toute théorie légale, même si Xiaomi a été informée de



la possibilité de tels dommages. Certaines juridictions n'autorisent pas l'exclusion ou la limitation des dommages indirects, spécifiques ou conséquents. La limitation ci-dessus ne s'applique donc pas à vous.

#### 7. CONTACTS XIAOMI

Pour les clients, consultez le site Web : <https://www.mi.com/global/support/warranty>

La personne à contacter pour le service après-vente peut être n'importe quelle personne de service agréé Xiaomi, les distributeurs agréés Xiaomi ou le vendeur final qui vous a vendu le produit. En cas de doute, veuillez contacter la personne concernée que Xiaomi peut identifier.



## Sicherheitshinweise

Dieses Produkt ist nur für den Betrieb im Haushalt gedacht. Lesen Sie diese Bedienungsanleitung vor der Verwendung sorgfältig durch und bewahren Sie sie auf, um zukünftig die Informationen nachlesen zu können.

- Dieses Gerät ist für Kinder ab einem Alter von 8 Jahren und Personen geeignet, die körperlich, sensorisch oder geistig behindert sind oder nicht über ausreichend Erfahrung oder Kenntnisse verfügen, wenn sie eine Beaufsichtigung oder Anweisung zur sicheren Nutzung des Geräts erhalten haben und wissen, welche Gefahren auftreten können. Kinder dürfen nicht mit dem Gerät spielen. Die Reinigung und Benutzerverwaltung dürfen nicht von Kindern ohne Aufsicht durchgeführt werden.
- Dieses Gerät enthält Akkus, die nur von Fachpersonal ausgewechselt werden dürfen.
- Das Gerät darf nur mit dem zum Gerät mitgelieferten Netzteil verwendet werden.
- Dieser Staubsauger ist nur für den Innenbereich geeignet. Er darf nicht im Freien, in kommerziellen oder in industriellen Umgebungen verwendet oder installiert werden.
- Es können Gefahren entstehen, wenn das Gerät über das Stromkabel fährt.
- Vor der Reinigung oder Wartung des Geräts muss der Stecker aus der Steckdose gezogen werden.
- Vergewissern Sie sich vor dem Gebrauch, dass das Netzteil unbeschädigt ist, um die Gefahr von Bränden, Explosionen oder Verletzungen zu verringern. Der Staubsauger darf nicht verwendet werden, wenn das Netzteil beschädigt ist.
- Wenn das Ladegerät oder der Akku beschädigt sein sollte, müssen diese durch Original-Ersatzteile ersetzt werden, die vom Hersteller oder der Kundendienstabteilung erworben wurden.
- Stellen Sie sicher, dass Sie den Staubsauger vor dem Reinigen oder Ersetzen der Bürstenwalze ausschalten.
- Die elektrische Bürstenwalze, die Verlängerungsstange und der Staubsauger sind elektrisch leitfähig und sollten nicht in Wasser oder andere Flüssigkeiten getaucht werden. Stellen Sie sicher, dass der Filter, der Vorfilter und der Nachfilter nach der Reinigung gründlich trocken sind.
- Um Verletzungen zu vermeiden, schalten Sie den Staubsauger aus und entfernen Sie die elektrische Bürstenwalze vor der Reinigung und Wartung. Verwenden Sie den Staubsauger nicht, bevor Sie die elektrische Bürstenwalze, die Abdeckung des Staubbehälters, den Filter, den Vorfilter und den Nachfilter ordnungsgemäß installiert haben.
- Prüfen Sie regelmäßig die Verlängerungsstange und verwenden Sie sie nicht, wenn sie beschädigt ist.
- Verwenden Sie den Staubsauger weder zum Aufsaugen von brennbaren oder explosiven Flüssigkeiten wie Benzin, noch von anderen Flüssigkeiten wie Wasser oder giftigen Flüssigkeiten wie Bleichmittel, Ammoniak und Abflussreinigern.
- Verwenden Sie den Staubsauger nicht dazu, Toner aufzusaugen, der in Laserdruckern und Kopierern verwendet wird, da der Toner einen Brand oder eine Explosion auslösen kann.
- Verwenden Sie den Staubsauger nicht dazu, Gipskartenteile, Asche wie z.B. Kaminasche, Rauch oder brennende Materialien wie Kohle, Zigarettenstummel oder Streichhölzer aufzusaugen.
- Verwenden Sie den Staubsauger nicht dazu, scharfe oder harte Objekte wie Glas, Nägel, Schrauben oder Münzen aufzusaugen, da dies zu Schäden am Produkt führen kann.
- Verwenden Sie den Staubsauger nicht dazu, Flecken von dicken öligen Substanzen, starke Klebstoffe oder Farbstoffe wie Schuhcreme, Farben und Pigmente zu reinigen.
- Halten Sie Haare, lose Kleidung, Finger und andere Körperteile von den Öffnungen und beweglichen Teilen des Staubsaugers fern.
- Richten Sie die Saugöffnung, die Verlängerungsstange oder anderes Zubehör nicht auf Ihre Augen oder Ohren und nehmen Sie sie nicht in den Mund.
- Stecken Sie keine Gegenstände in die Öffnungen des Staubsaugers und benutzen Sie den Staubsauger nicht, wenn Öffnungen blockiert sind. Halten Sie es frei von Staub, Fusseln, Haaren oder anderen Gegenständen, die die Saugleistung des Staubsaugers mindern könnten.
- Lehnen Sie den Staubsauger nicht auf instabile Gegenstände wie Stühle oder Tische, um Schäden oder Verletzungen durch Herunterfallen zu vermeiden.
- Der Staubsauger darf nicht in der Nähe von Hitzequellen (z. B. Heizkörper) oder in feuchten Bereichen (z. B. Küchen oder Badezimmer) geladen oder aufbewahrt werden.
- Setzen Sie das Gerät oder den Akku keinen übermäßigen Temperaturen aus.
- Seien Sie sich des Risikos bewusst, dass die Klemmen des akkubetriebenen Geräts oder des Akkus durch Metallgegenstände kurzgeschlossen werden können.
- Verwenden Sie nur Ersatzteile, die von Xiaomi zugelassen sind.
- Falls es zu einem Auslaufen des Akkus kommt, vermeiden Sie den Kontakt mit der Flüssigkeit und entsorgen Sie den Akku bei einer staatlich zugelassenen Recyclinganlage. Bei Augenkontakt mit viel Wasser ausspülen und sofort einen Arzt aufsuchen.
- Bitte seien Sie besonders vorsichtig, wenn Sie den Staubsauger zur Treppenreinigung verwenden.
- Warnung vor Brandgefahr: Tragen Sie keine Duftstoffe auf den Vor- und Nachfilter des Staubsaugers auf. Diese Art von Produkten enthält häufig brennbare Chemikalien, die dazu führen könnten, dass der Staubsauger Feuer fängt.
- Halten Sie sich strikt an die Anweisungen in dieser Bedienungsanleitung, um den Staubsauger bei einer Umgebungstemperatur von 0 °C bis 35 °C aufzuladen. Unsachgemäßes Aufladen kann zu einer Beschädigung des Akkus führen.
- Bitte halten Sie sich bei der Benutzung des Staubsaugers streng an die Anweisungen dieser Bedienungsanleitung, Benutzer sind für jeglichen Verlust und Schaden verantwortlich, die durch den unsachgemäßen Gebrauch dieses Staubsaugers entstehen.
- **WARNUNG:** Verwenden Sie nur das mit diesem Gerät mitgelieferte Netzteil.
- **WARNUNG:** Zum Aufladen des Akkus darf ausschließlich das im Lieferumfang dieses Geräts enthaltene abnehmbare Netzteil verwendet werden.
- Die Verwendung erfolgt nur mit dem Netzteil BLJ15WJ270050P-V oder AD-D0752700050EU01.



## Informationen zur Einhaltung gesetzlicher Vorschriften

---



### EU-Konformitätserklärung

Wir, Beijing Shunzao Technology Co., Ltd., bestätigen hiermit, dass dieses Gerät mit den geltenden Verordnungen und europäischen Normen sowie etwaigen Ergänzungen in Einklang steht. Der vollständige Wortlaut der EU-Konformitätserklärung ist unter der folgenden Internetadresse abrufbar: <http://www.mi.com/global/service/support/declaration.html>



### Entsorgung von elektrischen und elektronischen Geräten

Das Symbol auf dem Produkt oder der Verpackung bedeutet, dass das Produkt einer getrennten Erfassung für elektrische und elektronische Geräte zugeführt werden muss und nicht über den normalen Haushaltsabfall entsorgt werden darf. Bitte entnehmen Sie Batterien und Lampen, die nicht vom Gerät umschlossen sind, vor der Abgabe aus dem Gerät und entsorgen diese über die offiziellen Sammelstellen für Batterien und Lampen.

Beim Kauf eines neuen Elektrogerätes können Sie beim Vertreiber ein gleichartiges Altgerät unentgeltlich zurückgeben. Elektrogeräte mit einer Kantenlänge von maximal 25 cm können unentgeltlich bei Vertreibern von Elektro- und Elektronikgeräten mit einer Verkaufsfläche von mindestens 400 m<sup>2</sup> sowie größeren Supermärkten abgegeben werden, ohne dass ein Neugerät erworben werden muss. Größere Elektrogeräte können kostenlos bei kommunalen Wertstoffhöfen abgegeben werden.

Durch die korrekte Entsorgung tragen Sie dazu bei, negative Auswirkungen auf die Umwelt und die menschliche Gesundheit zu vermeiden, die durch unsachgemäße Erfassung und Behandlung von Elektroaltgeräten entstehen können.

Bitte löschen Sie sämtliche personenbezogenen Daten auf dem Gerät, bevor Sie es entsorgen.

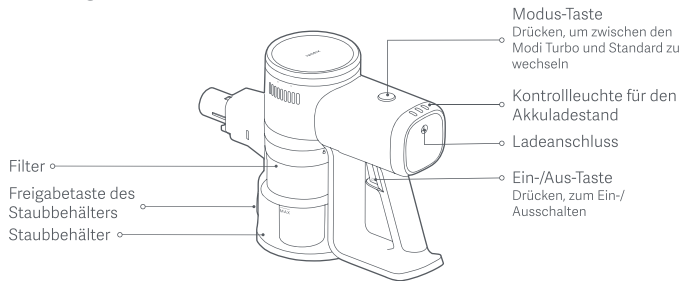
Für weitere Informationen kontaktieren sie bitte Ihre Kommunalverwaltung, Ihren örtlichen Abfallentsorger oder das Geschäft, in dem Sie das Produkt erworben haben.



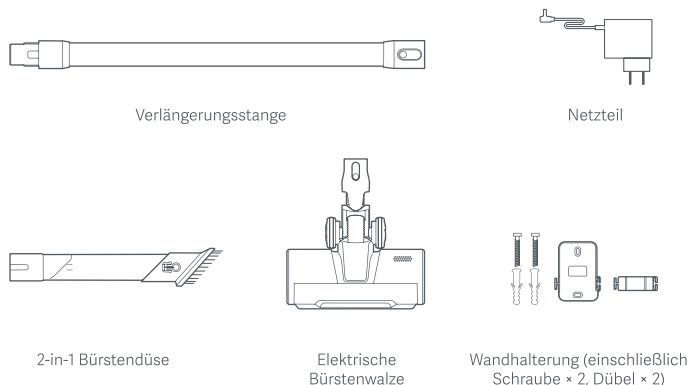


## Produktübersicht

### Staubsauger



### Zubehörliste



Hinweis: Abbildungen des Produkts, des Zubehörs und der Benutzeroberfläche in der Bedienungsanleitung dienen nur als Referenz. Die tatsächlichen Produkte und Funktionen können aufgrund von Produktverbesserungen variieren.

## Installation

### Installation des Zubehörs am Staubsauger

- Anschluss der Verlängerungsstange an den Staubsauger und die elektrische Bürstenwalze

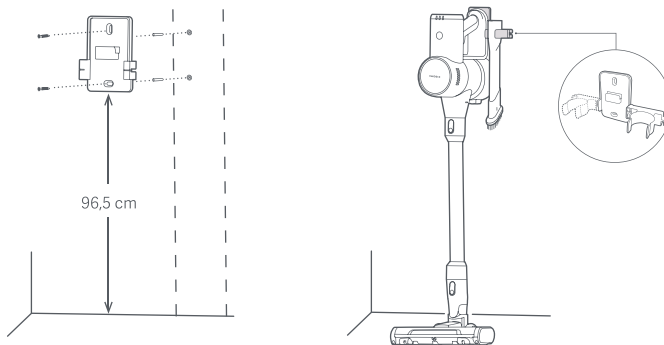


- Anschluss der 2-in-1 Bürstendüse an den Staubsauger

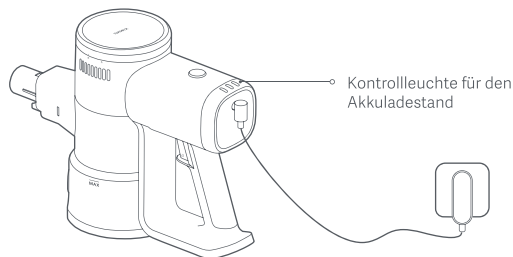


### Installation der Wandhalterung

1. Wählen Sie einen kühlen und trockenen Ort mit einer Steckdose in der Nähe. Stellen Sie vor der Installation sicher, dass sich direkt hinter der Stelle, an der die Halterung angebracht werden soll, keine Kabel oder Rohre in der Wand befinden.
2. Der Abstand zwischen der Unterseite der Wandhalterung und dem Boden sollte 96,5 cm betragen.
3. Halten Sie die Wandhalterung in Position, und markieren Sie die Löcher an der Wand entsprechend der Halterung.
4. Bohren Sie mit einem Schlagbohrer mit einem 8-mm-Bohrer an jeder markierten Stelle ein ca. 40 mm tiefes Loch und stecken Sie je einen Dübel in jedes Loch.
5. Richten Sie die Befestigungslöcher der Wandhalterung mit den Löchern an der Wand aus und verwenden Sie dann die mitgelieferten Schrauben, um die Halterung an der Wand zu befestigen.



## Laden



### Beschreibung des Status der Kontrollleuchte für den Akkuladestand

Aus  Beim Blinken  Ein

#### Arbeit

Niedriger Akkustand    Fast voll

Akkuladestatus 50 %

#### Laden

Niedriger Akkustand    Fast voll

Akkuladestatus 50 %    Voll aufgeladen

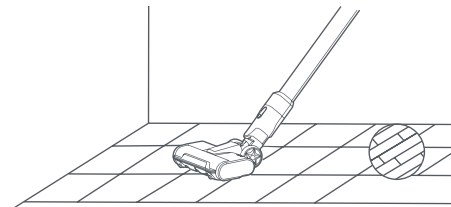
#### Hinweise:

- Vor der erstmaligen Benutzung sollte der Staubsauger voll aufgeladen werden. Dies dauert etwa 5 Stunden.
- Der Staubsauger kann während des Ladens nicht benutzt werden.
- Wenn der Staubsauger vollständig geladen ist, schaltet sich die Kontrollleuchte nach 20 Sekunden ab und der Staubsauger wird in den Energieeinsparmodus versetzt.
- Wird der Staubsauger auf der höchsten Saugstufe über längere Zeit benutzt, führt dies zu einer Erhitzung des Akkus, wodurch sich die Ladezeit verlängern kann. Bevor Sie den Staubsauger aufladen, sollte er am besten 30 Minuten lang abkühlen.

## Verwendung

### Elektrische Bürstenwalze

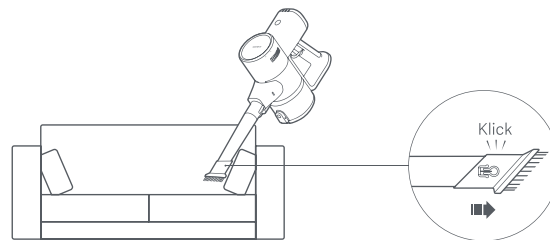
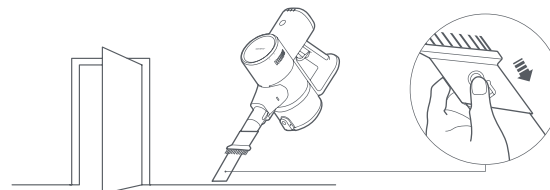
Zur Reinigung von Marmor-, Holz- und kurzflorigen Teppichböden.



### 2-in-1 Bürstendüse

Geeignet für die Reinigung von Stellen mit Ritzen, wie Tastaturen, Vorhängen, Sofas, Decken, Ecken und Autoinnenräumen.

Hinweis: Um mögliche Sicherheitsrisiken zu vermeiden, setzen Sie den Staubsauger nicht direkter Sonneneinstrahlung aus und bewahren Sie ihn nicht in Umgebungen mit hohen Temperaturen auf, wie z.B. im Sommer in einem Auto.



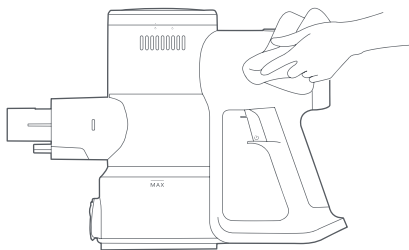
## Pflege und Wartung

### VORSICHTSMAßNAHMEN:

- Trennen Sie vor der Pflege und Wartung das Netzteil vom Stromnetz und stellen Sie sicher, dass der Staubsauger ausgeschaltet ist.
- Benutzen Sie immer Originalteile, um den korrekten Betrieb zu gewährleisten und die Garantie aufrechtzuerhalten.
- Wenn der Filter, der Vorfilter, der Nachfilter, die Verlängerungsstange oder die 2-in-1 Bürstendüse verstopft ist, funktioniert der Staubsauger nicht mehr. Bevor Sie den Staubsauger wieder verwenden, schalten Sie ihn aus und reinigen Sie die verstopfte Stelle.
- Wenn die Bürstenwalze verstopft ist, funktioniert sie nicht mehr, nicht aber der Staubsauger selbst. Bevor Sie den Staubsauger wieder verwenden, schalten Sie ihn aus und reinigen Sie die Bürstenwalze.
- Entfernen Sie vor der Reinigung den Bürstenkopf vom Staubsauger, um im Fall eines versehentlichen Einschaltens des Staubsaugers Verletzungen zu vermeiden.
- Wenn der Staubsauger für eine längere Zeit nicht benutzt werden wird, laden Sie ihn voll auf, trennen Sie ihn vom Netz und lagern ihn an einem kühlen und trockenen Ort ohne direkte Sonneneinstrahlung.
- Um eine Tiefentladung des Akkus zu vermeiden, sollte der Staubsauger mindestens einmal alle drei Monate aufgeladen werden.

### Reinigung des Staubsaugers

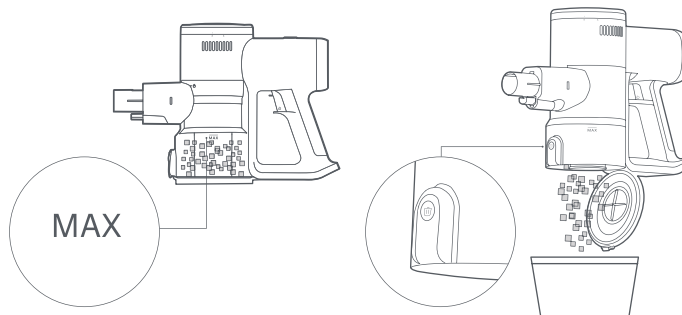
Reinigen Sie den Staubsauger mit einem weichen trockenen Tuch.



### Den Staubbehälter reinigen

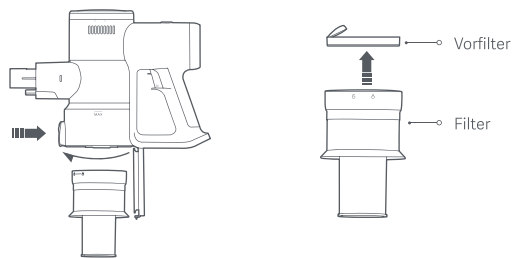
Vor dem Reinigen des Staubbehälters trennen Sie das Netzteil und nehmen Sie die Verlängerungsstange ab. Die Reinigungsleistung des Staubsaugers reduziert sich, wenn der Staubbehälter bis zur „MAX“-Markierung gefüllt ist. Um die volle Reinigungsleistung wiederherzustellen, leeren Sie den Staubbehälter.

- Leeren Sie den Staubbehälter aus: Halten Sie den Staubbehälter über einen Mülleimer und drücken Sie dann die Freigabetaste des Staubbehälters, um den Inhalt zu entleeren.

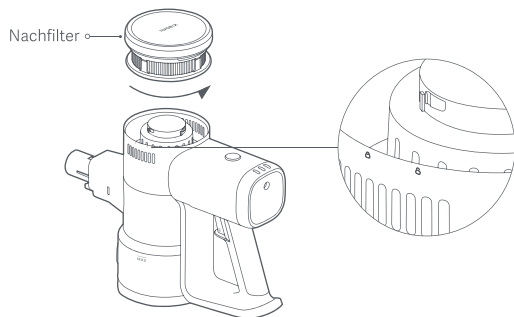


### Reinigung der Filtereinheit

1. Drücken Sie die Freigabetaste des Staubbehälters, um den Staubbehälter zu öffnen, drehen Sie den Filter wie abgebildet, um ihn zu entfernen, und nehmen Sie dann den Vorfilter vom Filter ab.



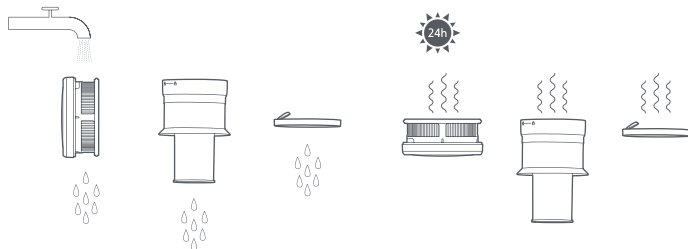
2. Drehen Sie den Nachfilter wie abgebildet, um ihn zu entfernen.



3. Spülen Sie den Filter, den Vorfilter und den Nachfilter unter fließendem Leitungswasser ab, bis sie sauber sind, und legen Sie sie dann mindestens 24 Stunden lang zum vollständigen Trocknen beiseite.

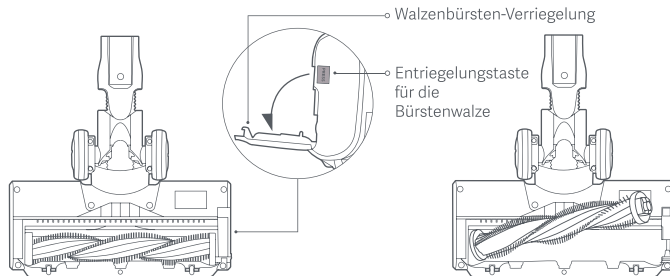
Hinweise:

- Weichen Sie den Filter, den Vorfilter und den Nachfilter niemals ein.
- Wenn Sie den Nachfilter reinigen, spülen Sie ihn wiederholt ab und klopfen Sie leicht auf den Rand, um Staub und Schmutz zu entfernen, bis er sauber ist.
- Reinigen Sie den Vorfilter und den Nachfilter nicht mit den Händen, einer Bürste oder einem scharfen Gegenstand, um Schäden zu vermeiden.
- Wenn die Saugleistung nach der Reinigung des Vor- und Nachfilters immer noch deutlich nachlässt, können Sie versuchen, sie zu kaufen und durch Originalteile zu ersetzen.

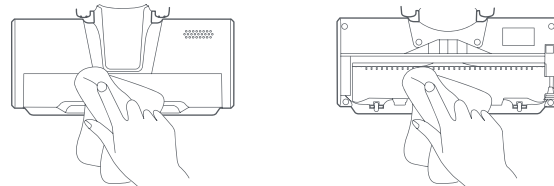


## Reinigung der elektrischen Bürstenwalze

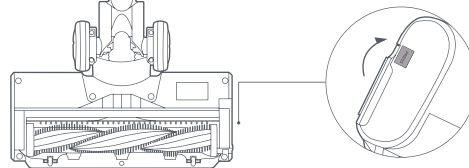
1. Stellen Sie die Bürstenwalze auf den Kopf und drücken Sie die Entriegelungstaste der Bürstenwalze, um die Bürstenwalze zu entriegeln und sie zu entfernen.



2. Verwenden Sie ein trockenes Tuch oder ein Papiertuch, um Staub und Schmutz von der Ansaugöffnung und der transparenten Abdeckung abzuwischen.  
Hinweis: Reinigen Sie die elektrische Bürstenwalze nicht mit Wasser, da sie einen eingebauten Motor hat.



3. Setzen Sie die Bürstenwalze wieder ein, und drücken Sie die Verriegelung, um sie zu verriegeln.



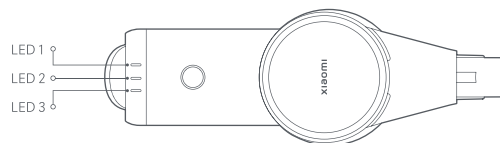
## Häufiges Problem

Häufiges Problem	Mögliche Ursache	Lösung
Der Staubsauger funktioniert nicht.	Akku ist erschöpft.	Laden Sie den Staubsauger vor Gebrauch auf.
	Die Ansaugöffnung, der Luftkanal, der Vorfilter oder der Nachfilter ist verstopft.	Prüfen und reinigen Sie ihn sofort.
	Der Filter, Vorfilter oder Nachfilter ist nicht richtig installiert.	Prüfen Sie und installieren Sie ihn an Ort und Stelle.
	Der Temperaturschutz des Akkus wurde ausgelöst.	Bitte warten Sie, bis sich die Temperatur des Akkus normalisiert hat, und setzen Sie erst dann die Benutzung fort.
Die Saugleistung ist reduziert.	Der Staubbehälter ist voll, oder der Vorfilter oder der Nachfilter ist verstopft.	Prüfen und reinigen Sie ihn sofort.
	Der Bürstenkopf ist verstopft.	Reinigung des Bürstenkopfes.
Kurze Akkulaufzeit.	Der Akku ist nicht vollständig geladen.	Laden Sie den Staubsauger vor Gebrauch auf.
	Der Staubbehälter ist voll, oder der Vorfilter oder der Nachfilter ist verstopft.	Prüfen und reinigen Sie ihn sofort.
	Der Bürstenkopf ist verstopft.	Reinigung des Bürstenkopfes.
Die Bürstenwalze dreht sich nicht.	Die Bürstenwalze ist durch Fremdkörper verklemt.	Entfernen Sie Fremdkörper und setzen Sie die Benutzung fort.
	Der Überhitzungsschutz für den Motor der Bürstenwalze wurde ausgelöst.	Warten Sie vor der Verwendung, bis sich die Temperatur des Motors der Bürstenwalze wieder normalisiert hat.
	Die leitenden Kontakte sind verschmutzt.	Wischen Sie die Kontakte mit einem weichen, trockenen Tuch ab und versuchen Sie erneut.
Kann nicht geladen werden.	Das verwendete Netzteil ist kein Originalteil.	Benutzen Sie ausschließlich das Originalnetzteil, um den Staubsauger aufzuladen.
Der Akku wird nur langsam geladen.	Der Temperaturschutz des Akkus wurde ausgelöst.	Bitte warten Sie, bis sich die Temperatur des Akkus normalisiert hat, und setzen Sie erst dann die Benutzung fort.

Hinweis: Falls die obigen Lösungen das Problem nicht lösen, kontaktieren Sie bitte das Kundendienstteam.

## Fehlerbehebung

Wenn der Staubsauger nicht ordnungsgemäß funktioniert, zeigt die Kontrollleuchte für den Akkuladestand eine Fehlermeldung an. Entfernen Sie die Fehlerbehebung der nachstehenden Tabelle.



Fehlermeldung	Mögliche Ursache	Lösung
LED 1, LED 2 und LED 3 blinken dreimal gleichzeitig.	Netzteilfehler	Benutzen Sie ausschließlich das Originalnetzteil, um den Staubsauger aufzuladen.
	Der Temperaturschutz des Akkus wurde ausgelöst.	Warten Sie vor der Verwendung, bis sich die Temperatur des Motors der Bürstenwalze wieder normalisiert hat.
	Fehler in den Akkuzellen	Wenden Sie sich an das Kundendienstteam
	Fehler Temperatursensor	
	Motorfehler	
LED 1 blinkt zehnmal.	Akku leer	Benutzen Sie ausschließlich das Originalnetzteil, um den Staubsauger aufzuladen.



## Spezifikationen

Xiaomi Staubsauger G20 Lite			
Bezeichnung	Kabelloser Staubsauger	Modell	C203
Nennspannung	22,2 V $\equiv$	Nennleistung	215 W
Ladespannung	27,0 V $\equiv$	Nettogewicht	2,4 kg
Elektrische Bürstenwalze			
Modell	C203-DS	Nennspannung	22,2 V $\equiv$
Nennleistung	15 W		
Netzteil			
Hersteller	Zhongshan Baolijin Electronic Co., Ltd.		
Modell	BLJ15WJ270050P-V	Durchschnittliche Aktive Effizienz	85,9 %
Nenneingang	100 bis 240 V ~ 50/60 Hz 0,5 A	Effizienz bei Geringer Belastung (10 %)	73,2 %
Nennausgang	27,0 V $\equiv$ 0,5 A 13,5 W	Lastloser Stromverbrauch	0,09 W
Hersteller	Shenzhen AMC Technology Co., Ltd.		
Modell	AD-D0752700050EU01	Durchschnittliche Aktive Effizienz	84,5 %
Nenneingang	100 bis 240 V ~ 50/60 Hz 0,8 A	Effizienz bei Geringer Belastung (10 %)	75,5 %
Nennausgang	27,0 V $\equiv$ 0,5 A 13,5 W	Lastloser Stromverbrauch	0,09 W

Hinweis: Die Modelle BLJ15WJ270050P-V und AD-D0752700050EU01 sind beide für den Staubsauger geeignet, und nur eines ist im Lieferumfang enthalten.

## Umweltschutzhinweise

Das wiederaufladbare Lithium-Ionen-Akkupack dieses Staubsaugers enthält Chemikalien, die die Umwelt verschmutzen können. Nehmen Sie die Akkus, bevor Sie den Staubsauger entsorgen, und entsorgen Sie sie anschließend in einer geeigneten Recyclinganlage.

- Der Akku muss aus dem Gerät entfernt werden, bevor es entsorgt wird.
- Das Gerät muss vom Stromnetz getrennt sein, wenn der Akku entfernt wird.
- Der Akku muss sicher entsorgt werden.

### VORSICHTSMAßNAHMEN:

- Stellen Sie sicher, dass der Staubsauger von der Leistung getrennt ist und die Akkus vollständig entladen sind, bevor Sie den Akku entfernen.
- Bringen Sie die entfernten Akkus zur fachgerechten Entsorgung zu einem professionellen Recyclingbetrieb.
- Lassen Sie die Akkus nicht in einer Umgebung mit hohen Temperaturen liegen, da sie sonst explodieren könnten.
- Falls der Akku auslaufen sollte, vermeiden Sie den Kontakt mit der Flüssigkeit. Falls die Flüssigkeit in die Augen geraten sollte, spülen Sie die Augen mit viel Wasser aus und suchen Sie sofort einen Arzt auf.

### So entfernen Sie den Akku:

1. Entfernen Sie die hinteren Abdeckungen des Staubsaugers und des Handgriffs, und entfernen Sie den Mikroschalter vom Handgriff.
2. Verwenden Sie einen Schraubendreher, um die Schrauben im Staubsauger zu entfernen, trennen Sie dann die Kabel und nehmen Sie das Akkupack heraus.
3. Lösen Sie die beiden Schrauben oberhalb der Platine der Akkupack-Baugruppe.
4. Entfernen Sie die obere und untere Abdeckung der Platine und des Akkupacks, und nehmen Sie die Akkus heraus.



# GARANTIEERKLÄRUNG

DIESE GARANTIE GIBT IHNEN BESTIMMTE RECHTE UND MÖGLICHERWEISE VERFÜGEN SIE AUFGRUND DER GESETZE IHRES LANDES, IHRER PROVINZ ODER IHRES BUNDESLANDES ÜBER WEITERE RECHTE. IN EINIGEN LÄNDERN, PROVINZEN ODER BUNDESLÄNDERN SCHREIBT DAS VERBRAUCHERRECHT EINE MINDESTGARANTIEZEIT VOR. XIAOMI SCHLIESST IHRE WEITEREN RECHTE NICHT AUS, SCHRÄNKT SIE NICHT EIN UND SETZT SIE NICHT AUS, SOFERN DIES NICHT GESETZLICH ZULÄSSIG IST. UMFASSENDE INFORMATIONEN ZU IHREN RECHTEN FINDEN SIE IN DEN GESETZEN IHRES LANDES, IHRER PROVINZ ODER IHRES BUNDESLANDES.

## 1. EINGESCHRÄNKTE PRODUKTGARANTIE

Xiaomi garantiert Ihnen, dass Ihr Xiaomi-Produkt während der Garantiezeit bei normalem Gebrauch frei und bei Gebrauch in Übereinstimmung mit den Anweisungen des betreffenden Benutzerhandbuchs frei von Material- und Verarbeitungsfehlern ist. Die gesetzlichen Gewährleistungsfristen und -bestimmungen ergeben sich aus den jeweiligen lokalen Gesetzen. Weitere Informationen zu den Garantieleistungen für Verbraucher finden Sie auf der Website von Xiaomi unter <https://www.mi.com/global/support/warranty>. Xiaomi garantiert Ihnen als Erstkäufer, dass das Xiaomi-Produkt während des oben genannten Zeitraums bei normalem Gebrauch frei von Material- und Verarbeitungsfehlern ist. Xiaomi garantiert nicht, dass das Produkt unterbrechungsfrei oder fehlerfrei funktioniert. Xiaomi haftet nicht für Schäden, die aus der Nichteinhaltung der Anweisungen zur Verwendung des Produkts resultieren.

## 2. RECHTSMITTEL

Wenn ein Hardwarefehler festgestellt wird und Xiaomi eine gültige Reklamation innerhalb der Garantiezeit erhält, wird Xiaomi entweder (1) das Produkt unter Verwendung neuer oder überholter Ersatzteile kostenlos reparieren, (2) das Produkt ersetzen oder (3) den Kaufpreis des Produkts zurückerstatten, wobei mögliche Versandkosten ausgeschlossen werden.

## 3. NUTZUNG DES GARANTIESERVICES

Um Garantieleistungen in Anspruch nehmen zu können, müssen Sie das Produkt in der Originalverpackung oder einer ähnlichen Verpackung, die das Produkt im gleichen Maße schützt, an die von Xiaomi angegebene Adresse senden. Wenn dies nicht durch anwendbares Recht untersagt ist, kann Xiaomi vor der Erbringung von Garantieleistungen die Vorlage von Kaufnachweise(n) und / oder eine Registrierung von Ihnen verlangen.

## 4. AUSSCHLÜSSE UND EINSCHRÄNKUNGEN

Soweit nicht anders durch Xiaomi bestimmt, gilt diese eingeschränkte Garantie ausschließlich für das von oder für Xiaomi hergestellte Produkt, das durch das die Marken oder Handelsnamen oder das „Xiaomi“- bzw. „Mi“-Logo identifiziert werden kann.

Die Garantie beinhaltet keine (a) Schäden durch Naturereignisse oder höhere Gewalt, z. B. Blitzeinschläge, Tornados, Überschwemmungen, Feuer, Erdbeben oder andere äußere Ursachen; (b) Schäden durch Fahrlässigkeit; (c) Schäden durch kommerzielle Nutzung; (d) Schäden durch Änderungen oder Modifikationen an einem Teil des Produkts; (e) Schäden, die durch die gemeinsame Verwendung mit Produkten anderer Hersteller verursacht werden; (f) Schäden, die durch Unfall, Missbrauch oder Zweckentfremdung verursacht werden; (g) Schäden, die durch den Betrieb des Produkts im Widerspruch zur von Xiaomi beschriebenen zulässigen oder beabsichtigten Verwendung oder durch unzulässige Spannungs- oder Stromversorgungen verursacht werden; (h) Schäden, die durch Serviceleistungen (einschließlich Upgrades und Erweiterungen) von Personen verursacht werden, die dafür nicht von Xiaomi autorisiert wurden.

Es liegt in Ihrer Verantwortung, Daten, Software oder andere Materialien, die Sie auf dem Produkt gespeichert haben, zu sichern. Es ist wahrscheinlich, dass Daten, Software oder andere Materialien bei Inanspruchnahme des Garantieservices verloren gehen oder Geräte neu formatiert werden und Xiaomi übernimmt keine Haftung für solche Schäden oder Verluste.

Wiederverkäufer, Agenten oder Mitarbeiter von Xiaomi sind nicht berechtigt, Änderungen, Erweiterungen oder Ergänzungen hinsichtlich dieser eingeschränkten Garantie vorzunehmen. Sollte eine Bestimmung rechtswidrig oder nicht durchsetzbar sein, wird die Rechtmäßigkeit oder Durchsetzbarkeit der übrigen Bestimmungen davon nicht berührt oder beeinträchtigt.

Sofern dies nicht gesetzlich verboten oder anderweitig von Xiaomi versprochen wurde, ist der Kundendienst auf das Land oder die Region des ursprünglichen Kaufs beschränkt.

Produkte, die nicht ordnungsgemäß eingeführt wurden und/oder nicht ordnungsgemäß von Xiaomi hergestellt wurden und/oder nicht ordnungsgemäß von Xiaomi oder einem offiziellen Händler von Xiaomi erworben wurden, fallen nicht unter diese Garantie. Gemäß geltendem Recht können Garantieforderungen gegen Einzelhändler geltend gemacht werden, die das Produkt trotz Ermangelung gegenseitiger Vertriebsvereinbarungen in Umlauf gebracht haben. In solchen Fällen ermutigt Sie Xiaomi, den Händler zu kontaktieren, bei dem Sie das Produkt gekauft haben.

Diese Garantieerklärung ist nicht auf Hong Kong und Taiwan anwendbar.

## 5. STILLSCHWEIGENDE GARANTIE

Soweit durch geltendes Recht zulässig, sind alle stillschweigend begründeten Garantien (einschließlich der Garantie der Gebrauchstauglichkeit oder der Eignung für einen bestimmten Zweck) zeitlich beschränkt und gelten maximal für die Dauer dieser eingeschränkten Garantie. In einigen Ländern ist die Beschränkung der Dauer stillschweigender Garantien nicht zulässig, sodass die o. g. Beschränkung auf Sie nicht zutrifft, wenn Sie Verbraucher in einem dieser Länder sind.



## 6. SCHADENS BESCHRÄNKUNG

Soweit durch geltendes Recht zulässig, haftet Xiaomi nicht für zufällige oder indirekte Schäden, Neben- oder Folgeschäden oder besondere Schadensfolgen einschließlich, aber nicht beschränkt auf, entgangenen Gewinnen oder Einnahmen sowie Datenverluste und Schäden, die aus einer Verletzung einer ausdrücklichen oder stillschweigenden Garantie- oder anderweitigen Bedingung oder aus einer anderen rechtlichen Grundlage resultieren, selbst wenn Xiaomi auf die Möglichkeit solcher Schäden hingewiesen wurde. In einigen Ländern sind Ausschluss oder Beschränkung der Haftung für indirekte oder Folgeschäden sowie besondere Schadensfolgen nicht zulässig, sodass die o. g. Beschränkung auf Sie evtl. nicht zutrifft.

## 7. KONTAKT XIAOMI

Kontaktinformationen finden Sie auf unserer Website: <https://www.mi.com/global/support/warranty>

Der Kundendienst kann durch jede Person im autorisierten Servicenetz von Xiaomi erbracht werden, durch die autorisierten Händler von Xiaomi oder durch den Endverkäufer, der die Produkte an Sie verkauft hat. Bei Fragen Sie sich bitte an die entsprechende von Xiaomi angegebene Person.

