

Silk'n®

LED HAND MASK

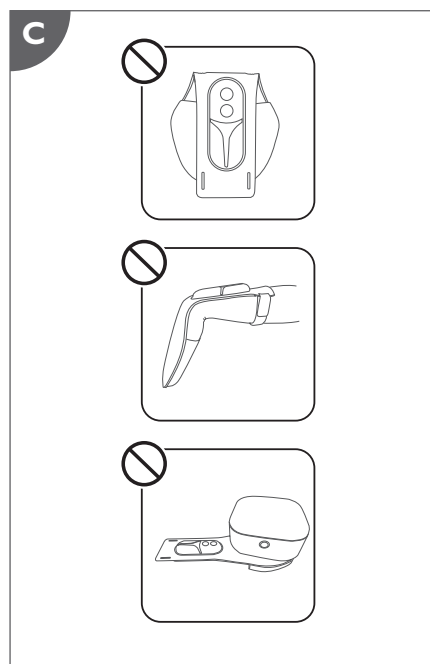
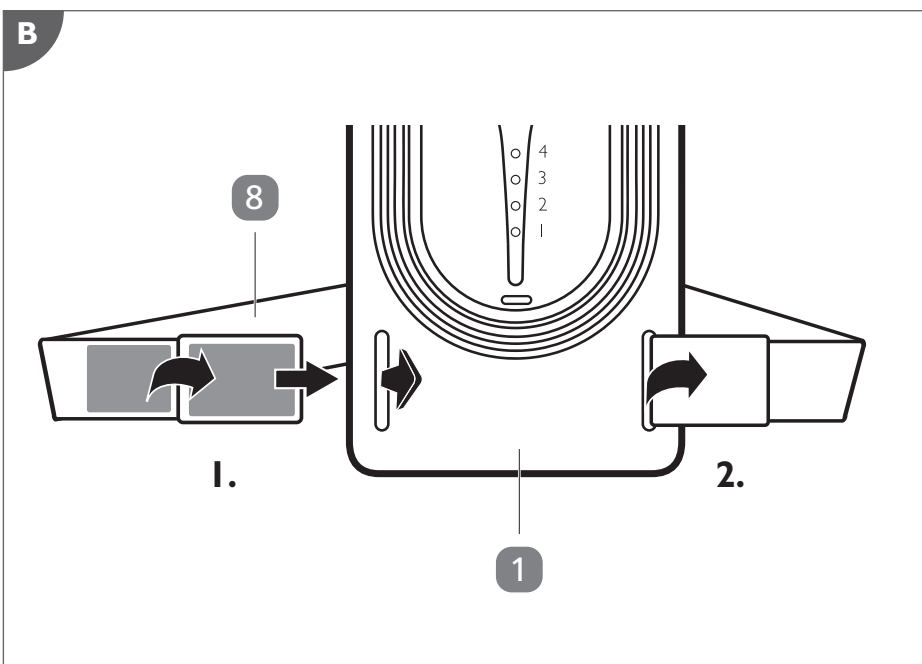
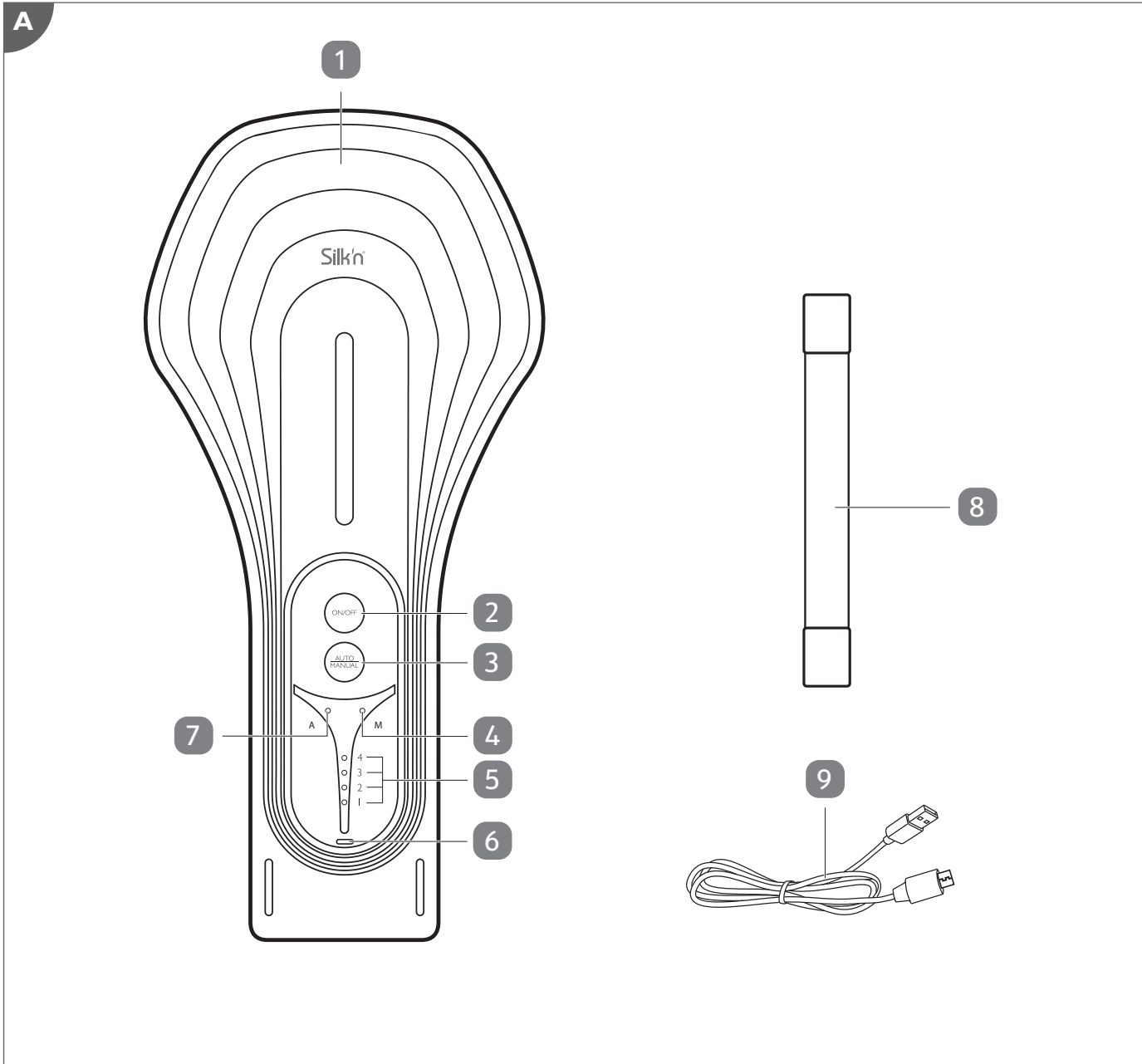
HAC01



- EN USER MANUAL
- DE BEDIENUNGSANLEITUNG
- FR MODE D'EMPLOI
- NL GEBRUIKSAANWIJZING
- ES MANUAL DE USUARIO
- IT MANUALE D'USO
- TR KULLANIM KILAVUZU
- PT MANUAL DO UTILIZADOR

- DA BRUGERMANUAL
- NO BRUKERHÅNDBOK
- SV ANVÄNDARMANUAL
- CS NÁVOD K POUŽITÍ
- PL INSTRUKCJA OBSŁUGI
- LT VARTOTOJO VADOVAS
- HU HASZNÁLATI UTASÍTÁS
- RO INSTRUCȚIUNI DE UTILIZARE

- EN
- DE
- FR
- NL
- ES
- IT
- TR
- PT
- DA
- NO
- SV
- CS
- PL
- LT
- HU
- RO



Copyright 2023 © Silkn Beauty Ltd. All rights reserved.

Legal notice

Invention Works B.V. reserves the right to make changes to its products or specifications to improve performance, reliability, or manufacturability. Information furnished by Invention Works B.V. is believed to be accurate and reliable at the time of publication. However, Invention Works B.V. assumes no responsibility for its use. No license is granted by its implication or otherwise under any patent or patent rights of Invention Works B.V.

No part of this document may be reproduced or transmitted in any form or by any means, electronic or mechanical, for any purpose, without the express written permission of Invention Works B.V. Data is subject to change without notification.

Silkn Beauty Ltd. has patents and pending patent applications, trademarks, copyrights, or other intellectual property rights covering subject matter in this document. The furnishing of this document does not give you any license to these patents, trademarks, copyrights, or other intellectual property rights except as expressly provided in any written agreement from Silkn Beauty Ltd. Specifications are subject to change without notice.

Silk'n and the Silk'n logo are registered trademarks of Silkn Beauty Ltd.

Invention Works B.V.
Galileistraat 17, 3029 AL Rotterdam,
The Netherlands
www.silkn.eu – info@silkn.eu

Contents

1	Package contents/device parts	4
2	General information	4
2.1	Reading and storing the user manual	4
2.2	Explanation of symbols	4
3	Safety	4
3.1	Proper use	4
3.2	Safety instructions	4
4	Checking the product and package contents	5
5	Charging	5
6	Assembly	6
7	Operation	6
7.1	Carrying out the session	6
7.2	Manual mode	6
7.3	Auto mode	6
8	Regimen	7
9	Cleaning	7
10	Storage	7
11	Troubleshooting	7
12	Technical data	7
13	Disposal	7
13.1	Disposing of the packaging	7
13.2	Disposing of the product	7
14	Warranty	8
15	Customer service	8

I Package contents/device parts

- 1 Hand mask
- 2 Operation button
- 3 Mode button
- 4 Manual mode indicator light
- 5 Program indicator light, 4×
- 6 Charging port
- 7 Auto mode indicator light
- 8 Elastic strap
- 9 USB cable

2 General information

2.1 Reading and storing the user manual



This user manual accompanies this LED Hand Mask (hereafter referred to as the “product”), and contains important information on setup and handling.

Before using the product, read the user manual carefully. This particularly applies to the safety instructions. Failure to do so may result in personal injury or damage to the product. The user manual is based on the standards and rules in force in the European Union and United Kingdom. When abroad, you must also observe country-specific guidelines and laws. Store the user manual for further use. Make sure to include this user manual when passing the product on to third parties.

2.2 Explanation of symbols

The following symbols and signal words are used in this user manual, on the product or packaging.

WARNING!

This signal symbol/word designates a hazard with moderate risk, which may result in death or severe injury if not avoided.

NOTICE!

This signal word warns of possible damage to property.



This signal symbol provides you with useful additional information on handling and use.



Read the user manual.



Declaration of Conformity: Products labelled with this symbol meet all applicable provisions of the European Economic Area.



Declaration of Conformity: Products labelled with this symbol meet all applicable provisions of the United Kingdom.



This symbol identifies voltage and the current rating for direct current.



Devices marked with this symbol are only suitable for household use (dry indoor rooms).



This symbol indicates the polarity of the charging port.

3 Safety

3.1 Proper use

The product is exclusively designed to recover the elasticity and texture of the skin. It also helps to reduce the appearance of fine lines, wrinkles and other skin imperfections. It is only intended for private use and not suitable for commercial purposes. Only use the product as described in this user manual. Any other use is considered improper and may result in damage to property or persons. The manufacturer cannot be held liable for damages or injury incurred through improper or incorrect use.

3.2 Safety instructions

WARNING! RISK OF ELECTRIC SHOCK!

- Only use the product with the supplied USB cable.
- Only connect the USB cable of the product to a suitable mains adaptor (IEC/EN 60335 certified SELV power supply) connected to an easily accessible socket so that you can quickly disconnect it from the mains supply in the event of a problem.
- Do not use the product if it is damaged or if the USB cable is defective.
- Do not open the housing; instead, have a qualified professional perform repairs. Contact the customer service team for this. Liability and warranty claims are waived in the event of repairs performed by the user, improper connection or incorrect operation.
- Only parts that comply with the original device data may be used for repairs. This product contains electrical and mechanical parts which are essential for providing protection against sources of danger.
- Do not immerse the product or USB cable in water or other liquids. Keep them away from water.

- Always switch the product off when you are not using it, when you intend to clean it, or in the event of a malfunction. Always unplug the USB cable when you are not charging the product.
- Never touch the USB cable with wet or damp hands.
- Never insert any objects into the housing.
- Keep all parts of the product away from open flames and hot surfaces.
- Lay the USB cable so that it does not pose a tripping hazard.
- Do not pull the USB cable out of the mains adaptor by the cord; instead, always pull it out by the cable plug.
- Do not kink the USB cable and do not lay it over sharp edges.
- Only use the product indoors.
- Do not use the product while charging.

⚠ WARNING! RISK OF INJURY!

- The product can be used by persons with reduced physical, sensory or mental capabilities or lack of experience and knowledge if they have been given supervision or instruction concerning the use of the product in a safe way and understand the hazards involved. Children must not play with the product. Cleaning and user maintenance must not be performed by children.
- Keep children away from the product and USB cable.
- The product cannot be used by pregnant women, children, people with epilepsy, thyroid patients, people using thyroid medications, people who are photoallergic or use light allergy medication.
- The product cannot be used on skin diseases, wound ulceration, trauma and post-operative wounds.
- Do not use the product for more than 15 minutes per session.
- Consult your physician if you are uncertain whether you can use the product.
- Stop using the product immediately if you feel any discomfort, develop any abnormal reactions (such as itching or uncomfortable inflammation) or in case your skin becomes warm to the point of discomfort.
- Under abusive conditions, liquid may be ejected from the battery; avoid contact. Liquid ejected from the battery may cause irritation or burns.

- If battery fluid comes into contact with skin, eyes or mucous membrane, wash and rinse the affected areas immediately with clean water. Consult a physician if necessary.
- The battery must not be disassembled, short-circuited or thrown into a fire.

NOTICE! RISK OF DAMAGE!

- Keep the product away from open fire, hot surfaces, high temperatures or the effects of the weather (e.g. rain).
- Stop using the product if its parts exhibit cracks or breaks or are deformed. Only replace damaged parts with corresponding original spare parts.

4 Checking the product and package contents

NOTICE! RISK OF DAMAGE!

- If you are not cautious when opening the packaging with a sharp knife or other pointed objects, you may quickly damage the product. Be very careful when opening it.
 1. Take the product out of the packaging.
 2. Check to make sure that all parts are included (see **Fig. A**).
 3. Check whether the product or individual parts are damaged. If this is the case, do not use the product. Contact our customer service.

5 Charging

⚠ WARNING! RISK OF INJURY!

- Charge only with the supplied USB cable.
- Only charge the product at temperatures between 0 and 40 °C.
- Always unplug the product after charging has been completed.



- Fully charge the product before first use and when the battery power is low.
- When the battery power is low, the indicator lights on the product flash 10 times before switching off automatically. Recharge the product.
- The product cannot be used during charging.
- If the product is to be stored for an extended period, the battery level should be checked and the product should be charged regularly.

1. Plug the smaller end of the USB cable **9** into the charging port **6** of the product.
2. Plug the larger end of the USB cable into the USB port of a compatible USB power source (e.g. USB power adaptor).
3. Plug the USB power adaptor into a mains socket for charging.
Charging starts automatically. Check the program indicator lights **5** which stay lit for the charging progress.
One indicator light = 25 % charged
Two indicator lights = 50 % charged
Three indicator lights = 75 % charged
Four indicator lights = fully charged
4. When charging is done, unplug the USB power adaptor from the mains socket and disconnect the USB cable from the charging port of the product.

6 Assembly

1. Open the hook-and-loop fasteners on the elastic strap **8** and guide the elastic strap through the side openings of the hand mask **1** (see step 1 in **Fig. B**).
2. Close the hook-and-loop fasteners to secure the elastic strap on the hand mask (see step 2 in **Fig. B**).

7 Operation

⚠ WARNING! RISK OF INJURY!

- Do not use the product for more than 15 minutes per session.



Precautions for using the product (see **Fig. C**):

- Do not place the product folded.
- Do not fold the product more than 90° during use.
- Do not stack heavy objects on top of the product.

7.1 Carrying out the session

1. Fully charge the product and properly attach the elastic strap **8** (see chapter “Charging” and “Assembly”).
2. Thoroughly clean and dry your hand. Make sure it is free from any make-up or dirt.
3. Sit or lie down and place the hand mask **1** over your hand.
4. If necessary, adjust the length of the elastic strap to fit the hand mask comfortably on your hand.
5. Press the operation button **2** to switch on the product.
By default, the product goes into Manual mode with the M1 (red) program selected after switching on.

6. If desired, press the mode button **3** repeatedly to select between the Auto mode and Manual mode.
The manual mode indicator light **4** or auto mode indicator light **7** turns on according to your selection.
To use the Manual mode, see chapter “Manual mode”.
To use the Auto mode, see chapter “Auto mode”.
7. After the session, remove the hand mask and apply a serum and/or day/night cream on your hand.

7.2 Manual mode

- By default, the product goes into Manual mode with the M1 (red) program selected after switching on.
- If another program (M2, M3 or M4) is desired, press the operation button **2** 1–3 times for selection. The corresponding program indicator light **5** turns on to show your selection.

Note: The product switches off when the operation button is pressed a fourth time.

- The manual mode indicator light **4** illuminates in Manual mode.
- Functions of the programs:

Program	LED	Best for
M1	Red	Reduces fine lines and wrinkles, stimulates collagen and helps to improve blood circulation
M2	Blue	Reduces acne-related redness and imperfections for clearer skin
M3	Yellow	Improves skin hydration and soothes dry and sensitive skin
M4	Purple	Anti-ageing and reduction of skin imperfections to improve the skin's vitality and radiance

- The session lasts for 10 minutes. The product switches off automatically after the session time has elapsed.
- You can also press and hold the operation button to switch off the product any time.

7.3 Auto mode

- The auto mode indicator light **7** illuminates in Auto mode.
- In Auto mode, the product carries out the programs in below order:
M1 (red): 5 minutes
M2 (blue): 3 minutes
M3 (yellow): 4 minutes
M4 (purple): 3 minutes
- The whole session lasts for 15 minutes. The product switches off automatically after the session time has elapsed.

- You can also press and hold the operation button **2** to switch off the product any time.

8 Regimen

If you are using the product for the first time, follow the schedule below:

First week	Use once every 3 days, max. 10 minutes at a time
Second week	Use once every 2 days, max. 10 minutes at a time
Third week	Use once every 2 days, max. 10–15 minutes at a time
Fourth week	Use once every day, max. 10–15 minutes at a time

As soon as results show, adjust the frequency to once or twice per week.

9 Cleaning

⚠ WARNING! RISK OF ELECTRIC SHOCK!

- Always unplug the product from the power source before cleaning.

NOTICE! RISK OF DAMAGE!

- Do not use any aggressive cleaners, brushes with metal bristles, or sharp or metallic cleaning utensils such as knives, hard scrapers, and the like.
- Do not use hot water for cleaning.
- Use a damp cloth or a water-based wipe to wipe off the hand mask **1**. Then wipe it dry with a dry cloth.

10 Storage

All parts must be completely dry before being stored.

- Store the product in a clean and dry place, avoiding heat and direct sunlight.
- Store the product so that it is not accessible to children.
- For best protection, store the product in its original packaging.

11 Troubleshooting

Some problems may be caused by minor faults that you can fix yourself. To do so, follow the instructions in the following table. If it is still not possible to resolve the problem, contact customer service. Do not repair the product yourself.

Fault	Possible cause and solution
The product does not operate.	<ul style="list-style-type: none"> Make sure the product is properly charged. Make sure the product is not connected to a USB power source. The product does not work while charging.
The product does not charge.	<ul style="list-style-type: none"> Make sure the USB cable 9 is securely connected between the charging port 6 and the USB power source.

12 Technical data

Model:	HAC01
Rated Input:	5 V \equiv 1 A
Working voltage:	3.7 V
Battery capacity:	1,500 mAh, 5.55 Wh (lithium)
Number of LED lights:	108
Weight:	334 g
Dimensions (L × H × W):	387 × 185 × 52 mm

13 Disposal

13.1 Disposing of the packaging



Sort the packaging before you dispose of it. Dispose of paperboard and cardboard with the recycled paper service and wrappings with the appropriate collection service.

13.2 Disposing of the product

(Applicable in the European Union and other European countries with separate collection systems of recyclable materials)



Old appliances may not be disposed of in the household waste!

Should the product no longer be capable of being used at some point in time, **dispose of it in accordance with the regulations in force in your city or county.** This ensures that old appliances are recycled in a professional manner and also rules out negative consequences for the environment. For this reason, electrical equipment is marked with the symbol shown here.

Batteries and rechargeable batteries may not be disposed of with household waste!



As the end user you are required by law to bring all batteries and rechargeable batteries, regardless whether they contain harmful substances* or not, to a collection point run by the communal authority or to a retailer, so that they can be disposed of in an environmentally friendly manner.

Bring the entire product (including the rechargeable battery) to your collection point and make sure that it is in an uncharged state!

* labelled with: Cd = cadmium, Hg = mercury, Pb = lead

14 Warranty

This product is covered by a 2-year warranty according to European regulations and law. The extent of the warranty on this product is limited to technical defects caused by faulty production processes. In the event you want to claim warranty please be sure to contact our customer service for instructions. They may be able to solve your problem without needing to return the product to the store or our service center. Our customer service is always pleased to help you!

15 Customer service

For more information about the products of Silk'n visit your regional Silk'n website: www.silkn.eu. If the device is damaged, defective, in need of repair or you need our assistance, please contact your nearest Silk'n service center. This manual is also available as a PDF download from: www.silkn.eu.

Service number: 0906-2130009

Email: customerareuk@silkn.eu

Rechtlicher Hinweis

Invention Works B.V. behält sich das Recht vor, Änderungen an seinen Produkten oder Spezifikationen zur Verbesserung von Leistung, Betriebssicherheit oder Herstellbarkeit vorzunehmen. Durch Invention Works B.V. bereitgestellte Informationen werden zum Zeitpunkt der Veröffentlichung als korrekt und verlässlich angesehen. Die Invention Works B.V. übernimmt allerdings keine Verantwortung für deren Verwendung. Es wird weder stillschweigend noch unter einem Patent oder unter Patentrechten der Invention Works B.V. eine Lizenz eingeräumt.

Kein Teil dieses Dokuments darf in irgendeiner Form oder mit elektronischen oder mechanischen Mitteln für irgendwelche Zwecke ohne ausdrückliche schriftliche Genehmigung der Invention Works B.V. reproduziert oder übertragen werden. Änderungen der Daten ohne Vorankündigung sind vorbehalten.

Die Silkn Beauty Ltd. verfügt über Patente sowie anhängige Patentanmeldungen, Handelsmarken, Urheberrechte oder sonstige Rechte geistigen Eigentums, welche Gegenstand dieses Dokumentes sind. Die Bereitstellung dieses Dokumentes gibt Ihnen keinerlei Lizenz für diese Patente, Handelsmarken, Urheberrechte oder sonstigen Rechte geistigen Eigentums, sofern dies nicht ausdrücklich in einer schriftlichen Vereinbarung von Silkn Beauty Ltd. geregelt ist. Änderung der technischen Daten ohne Vorankündigung vorbehalten.

Silk'n und das Silk'n-Logo sind eingetragene Warenzeichen der Silkn Beauty Ltd.

Invention Works B.V.
Galileistraat 17, 3029 AL Rotterdam, Die
Niederlande
www.silkn.eu - info@silkn.eu

Inhaltsverzeichnis

1	Lieferumfang/Geräteteile	10
2	Allgemeines	10
2.1	Bedienungsanleitung lesen und aufbewahren	10
2.2	Symbolerklärung	10
3	Sicherheit	10
3.1	Bestimmungsgemäßer Gebrauch	10
3.2	Sicherheitshinweise	10
4	Produkt und Lieferumfang prüfen	11
5	Laden	12
6	Montage	12
7	Bedienung	12
7.1	Sitzung durchführen	12
7.2	Manueller Modus	13
7.3	Automatischer Modus	13
8	Anwendungsplan	13
9	Reinigung	13
10	Aufbewahrung	13
11	Fehlersuche	13
12	Technische Daten	14
13	Entsorgung	14
13.1	Verpackung entsorgen	14
13.2	Produkt entsorgen	14
14	Garantieinformationen	14
15	Kundenservice	14

I Lieferumfang/Geräteteile

- 1 Handmaske
- 2 Bedientaste
- 3 Modus-Taste
- 4 Kontrollleuchte für manuellen Modus
- 5 Programm-Kontrollleuchte, 4x
- 6 Ladeanschluss
- 7 Kontrollleuchte für automatischen Modus
- 8 Gummiband
- 9 USB-Kabel

2 Allgemeines

2.1 Bedienungsanleitung lesen und aufbewahren



Diese Bedienungsanleitung gehört zu dieser LED Hand Mask (LED-Handmaske) (im Folgenden „Produkt“ genannt). Sie enthält wichtige Informationen zur

Inbetriebnahme und zur Benutzung. Lesen Sie die Bedienungsanleitung sorgfältig durch, bevor Sie das Produkt verwenden. Dies gilt insbesondere für die Sicherheitshinweise. Die Nichtbeachtung dieser Bedienungsanleitung kann zu Verletzungen oder zu Schäden am Produkt führen. Die Bedienungsanleitung basiert auf den in der Europäischen Union und im Vereinigten Königreich gültigen Normen und Regeln. Beachten Sie im Ausland auch landesspezifische Richtlinien und Gesetze. Bewahren Sie die Bedienungsanleitung zur späteren Nutzung auf. Wenn Sie das Produkt an Dritte weitergeben, geben Sie unbedingt diese Bedienungsanleitung mit.

2.2 Symbolerklärung

Die folgenden Symbole und Signalwörter werden in dieser Bedienungsanleitung, auf dem Produkt oder auf der Verpackung verwendet.

! WARNUNG!

Dieses Signalsymbol/-wort bezeichnet eine Gefährdung mit einem mittleren Risikograd, die, wenn sie nicht vermieden wird, den Tod oder eine schwere Verletzung zur Folge haben kann.

HINWEIS!

Dieses Signalwort warnt vor möglichen Sachschäden.



Dieses Signalsymbol liefert Ihnen nützliche Zusatzinformationen zum Umgang und Gebrauch.



Lesen Sie die Bedienungsanleitung.



Konformitätserklärung: Mit diesem Symbol gekennzeichnete Produkte erfüllen alle anzuwendenden Gemeinschaftsvorschriften des Europäischen Wirtschaftsraums.



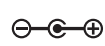
Konformitätserklärung: Mit diesem Symbol gekennzeichnete Produkte erfüllen alle anzuwendenden Vorschriften des Vereinigten Königreichs.



Dieses Symbol kennzeichnet die Bemessungsspannung und den Bemessungsstrom für Gleichstrom.



Mit diesem Symbol gekennzeichnete Geräte sind nur für den Gebrauch im Haushalt geeignet (in trockenen Innenräumen).



Dieses Symbol gibt die Polarität des Ladeanschlusses an.

3 Sicherheit

3.1 Bestimmungsgemäßer Gebrauch

Das Produkt ist ausschließlich zur Wiederherstellung der Elastizität und Struktur Ihrer Haut konzipiert. Darüber hinaus hilft es, feine Linien, Falten und andere Hautunvollkommenheiten zu reduzieren. Es ist ausschließlich für den Privatgebrauch bestimmt und nicht für den gewerblichen Bereich geeignet. Verwenden Sie das Produkt nur wie in dieser Bedienungsanleitung beschrieben. Jede andere Verwendung gilt als nicht bestimmungsgemäß und kann zu Sach- oder Personenschäden führen. Der Hersteller übernimmt keine Haftung für Schäden oder Verletzungen, die durch nicht bestimmungsgemäßen oder falschen Gebrauch entstanden sind.

3.2 Sicherheitshinweise

! WARNUNG! STROMSCHLAGEGFAHR!

- Verwenden Sie das Produkt nur mit dem mitgelieferten USB-Kabel.
- Schließen Sie das USB-Kabel des Produkts nur an ein geeignetes Netzteil (nach IEC/EN 60335 zertifizierte SELV-Spannungsquelle) an, das wiederum an eine leicht zugängliche Steckdose angeschlossen ist, sodass Sie es bei einem Störfall schnell vom Stromnetz trennen können.
- Nehmen Sie das Produkt nicht in Betrieb, wenn es beschädigt ist oder das USB-Kabel defekt ist.

- Öffnen Sie das Gehäuse nicht, sondern überlassen Sie die Reparatur Fachkräften. Wenden Sie sich dazu an den Kundendienst. Bei eigenständig durchgeführten Reparaturen, unsachgemäßem Anschluss oder falscher Bedienung sind Haftungs- und Garantieansprüche ausgeschlossen.
- Bei Reparaturen dürfen nur Teile verwendet werden, die den ursprünglichen Gerätedaten entsprechen. In diesem Produkt befinden sich elektrische und mechanische Teile, die zum Schutz gegen Gefahrenquellen unerlässlich sind.
- Tauchen Sie das Produkt oder USB-Kabel nicht in Wasser oder andere Flüssigkeiten. Halten Sie sie von Wasser fern.
- Schalten Sie das Produkt immer aus, wenn Sie es nicht verwenden, wenn Sie sie reinigen oder wenn eine Störung vorliegt. Trennen Sie immer das USB-Kabel, wenn Sie das Produkt nicht laden.
- Fassen Sie das USB-Kabel niemals mit nassen oder feuchten Händen an.
- Stecken Sie keine Gegenstände in das Gehäuse.
- Halten Sie alle Teile des Produkts von offenen Flammen und heißen Oberflächen fern.
- Verlegen Sie das USB-Kabel so, dass es nicht zur Stolperfalle wird.
- Ziehen Sie das USB-Kabel nicht am Kabel aus dem Netzteil, sondern fassen Sie immer den Stecker des Kabels an.
- Knicken Sie das USB-Kabel nicht und legen Sie es nicht über scharfe Kanten.
- Verwenden Sie das Produkt nur in Innenräumen.
- Verwenden Sie das Produkt nicht beim Laden.
- Das Produkt darf nicht von schwangeren Frauen, Kindern, Menschen mit Epilepsie, Schilddrüsenpatienten, Menschen, die Schilddrüsenmedikamente einnehmen, von photoallergischen Menschen oder von Menschen verwendet werden, die Medikamente zur Anwendung einer Lichtallergie einnehmen.
- Das Produkt darf nicht bei Hautkrankheiten, Wundeiterung, unfallbedingten und postoperativen Wunden eingesetzt werden.
- Verwenden Sie das Produkt nicht länger als 15 Minuten pro Sitzung.
- Wenden Sie sich an Ihren Arzt, wenn Sie nicht sicher sind, ob Sie das Produkt verwenden können.
- Wenn Sie sich unwohl fühlen, wenn Sie unnormale Reaktionen zeigen (z. B. Juckreiz oder unangenehme Entzündungen) oder wenn Ihre Haut unangenehm warm wird, verwenden Sie das Produkt ab sofort nicht mehr.
- Bei unsachgemäßer Verwendung kann Flüssigkeit aus der Batterie austreten – vermeiden Sie den Kontakt damit. Aus Batterien austretende Flüssigkeit kann Reizungen oder Verätzungen verursachen.
- Bei Haut-, Augen- oder Schleimhautkontakt mit Batterieflüssigkeit, waschen und spülen Sie die betreffenden Stellen unverzüglich mit sauberem Wasser ab. Suchen Sie gegebenenfalls einen Arzt auf.
- Batterien dürfen nicht zerlegt, kurzgeschlossen oder ins Feuer geworfen werden.

⚠️ WARNUNG! VERLETZUNGSGEFAHR!

- Dieses Produkt kann von Personen mit eingeschränkten physischen, sensorischen oder geistigen Fähigkeiten oder von Personen mit Mangel an Erfahrung und Wissen verwendet werden, wenn sie beaufsichtigt werden oder in die sichere Verwendung des Produkts eingewiesen wurden und wenn sie die mit der Verwendung verbundenen Gefahren verstanden haben. Kinder dürfen nicht mit dem Produkt spielen. Die Reinigung und Benutzerwartung darf nicht von Kindern durchgeführt werden.
- Halten Sie Kinder vom Produkt und vom USB-Kabel fern.

HINWEIS! BESCHÄDIGUNGSGEFAHR!

- Halten Sie das Produkt von offenem Feuer, heißen Oberflächen, hohen Temperaturen oder Witterungseinflüssen (z. B. Regen) fern.
- Verwenden Sie das Produkt nicht mehr, wenn die Kunststoffteile gerissen, gebrochen oder deformiert sind. Ersetzen Sie beschädigte Teile nur durch entsprechende Originalersatzteile.

4 Produkt und Lieferumfang prüfen

HINWEIS! BESCHÄDIGUNGSGEFAHR!

- Wenn Sie die Verpackung unvorsichtig mit einem scharfen Messer oder anderen spitzen Gegenständen öffnen, kann das Produkt schnell beschädigt werden. Gehen Sie beim Öffnen sehr vorsichtig vor.

1. Nehmen Sie das Produkt aus der Verpackung.
2. Vergewissern Sie sich, dass die Lieferung vollständig ist (siehe **Abb. A**).
3. Prüfen Sie, ob das Produkt oder die Einzelteile Schäden aufweisen. Ist dies der Fall, benutzen Sie das Produkt nicht. Wenden Sie sich an unseren Kundenservice.

5 Laden

⚠️ WARNUNG! **VERLETZUNGSGEFAHR!**

- Verwenden Sie nur das mitgelieferte USB-Kabel zum Laden.
- Laden Sie das Produkt nur bei Temperaturen zwischen 0 und 40 °C.
- Trennen Sie das Produkt stets von der Stromversorgung, nachdem der Ladevorgang abgeschlossen wurde.



- Laden Sie das Produkt vor dem ersten Gebrauch und bei schwacher Akkuleistung vollständig auf.
- Bei schwacher Akkuleistung blinken die Kontrollleuchten auf dem Produkt 10 Mal, bevor sie automatisch ausgehen. Laden Sie das Produkt auf.
- Während des Ladens kann das Produkt nicht verwendet werden.
- Wenn das Produkt für längere Zeit aufbewahrt wird, sollte der Batteriestand überprüft und das Produkt regelmäßig aufgeladen werden.

1. Stecken Sie das kleinere Ende des USB-Kabels **9** in den Ladeanschluss **6** des Produkts.
2. Stecken Sie das größere Ende des USB-Kabels in den USB-Anschluss einer geeigneten USB-Stromquelle (z. B. USB-Netzteil).
3. Stecken Sie das USB-Netzteil zum Laden in eine Steckdose.

Der Ladevorgang startet automatisch. Überprüfen Sie die Programm-Kontrollleuchten **5**, die während des Ladevorgangs weiterhin leuchten.

- Eine Kontrollleuchte = zu 25 % geladen
- Zwei Kontrollleuchten = zu 50 % geladen
- Drei Kontrollleuchten = zu 75 % geladen
- Vier Kontrollleuchten = vollständig geladen

4. Wenn der Ladevorgang abgeschlossen ist, trennen Sie das USB-Netzteil von der Steckdose und trennen Sie das USB-Kabel vom Ladeanschluss des Produkts.

6 Montage

1. Öffnen Sie die Klettverschlüsse am Gummiband **8** und führen Sie das Gummiband durch die Öffnungen an den Seiten der Handmaske **1** (siehe Schritt 1 in **Abb. B**).
2. Schließen Sie die Klettverschlüsse, um das Gummiband an der Handmaske zu befestigen (siehe Schritt 2 in **Abb. B**).

7 Bedienung

⚠️ WARNUNG! **VERLETZUNGSGEFAHR!**

- Verwenden Sie das Produkt nicht länger als 15 Minuten pro Sitzung.



Vorsichtsmaßnahmen für den Gebrauch des Produkts (siehe **Abb. C**):

- Legen Sie das Produkt nicht zusammengefoldet ab.
- Falten Sie das Produkt während des Gebrauchs nicht um mehr als 90°.
- Legen Sie keine schweren Gegenstände auf das Produkt.

7.1 Sitzung durchführen

1. Laden Sie das Produkt vollständig auf und bringen Sie das Gummiband **8** ordnungsgemäß an (siehe Kapitel „Laden“ und „Montage“).
2. Reinigen und trocknen Sie Ihre Hand gründlich. Stellen Sie sicher, dass sie von Make-up und Schmutz befreit ist.
3. Setzen oder legen Sie sich hin und platzieren Sie die Handmaske **1** auf Ihrer Hand.
4. Passen Sie bei Bedarf die Länge des Gummibands an, sodass die Handmaske bequem auf Ihrer Hand liegt.
5. Drücken Sie die Bedientaste **2**, um das Produkt einzuschalten.

Das Produkt wechselt nach dem Einschalten standardmäßig in den manuellen Modus und das Programm M1 (rot) wird ausgewählt.

6. Drücken Sie bei Bedarf mehrmals die Modus-Taste **3**, um zwischen dem automatischen und manuellen Modus zu wechseln.

Gemäß Ihrer Auswahl leuchtet die Kontrollleuchte für manuellen Modus **4** oder die Kontrollleuchte für automatischen Modus **7** auf.

Informationen zum Verwenden des manuellen Modus finden Sie im Kapitel „Manueller Modus“.

Informationen zum Verwenden des automatischen Modus finden Sie im Kapitel „Automatischer Modus“.

7. Nehmen Sie nach der Sitzung die Handmaske ab und tragen Sie ein Serum und/oder eine Tages-/Nachtcreme auf Ihre Hand auf.

7.2 Manueller Modus

- Das Produkt wechselt nach dem Einschalten standardmäßig in den manuellen Modus und das Programm M1 (rot) wird ausgewählt.
- Wenn Sie ein anderes Programm verwenden möchten (M2, M3 oder M4), drücken Sie 1–3 Mal die Bedientaste **2**, um es auszuwählen. Die entsprechende Programm-Kontrollleuchte **5** leuchtet auf und zeigt Ihre Auswahl an.

Hinweis: Wenn Sie die Bedientaste ein viertes Mal drücken, wird das Produkt ausgeschaltet.

- Im manuellen Modus leuchtet die Kontrollleuchte für manuellen Modus **4** auf.
- Funktionen der Programme:

Programm	LED	Am besten geeignet für
M1	Rot	Reduziert feine Linien und Falten, stimuliert Kollagen und verbessert die Blutzirkulation
M2	Blau	Reduziert aknebedingte Rötungen und Unreinheiten, sorgt für ein klareres Hautbild
M3	Gelb	Verbessert den Feuchtigkeitshaushalt der Haut und beruhigt trockene und empfindliche Haut
M4	Lila	Beugt der Hautalterung vor und reduziert Hautunreinheiten, verbessert die Vitalität und Strahlkraft der Haut

- Die Sitzung dauert 10 Minuten. Nach Ablauf der Sitzungsdauer schaltet sich das Produkt automatisch aus.
- Sie können auch die Bedientaste gedrückt halten, um das Produkt jederzeit auszuschalten.

7.3 Automatischer Modus

- Im automatischen Modus leuchtet die Kontrollleuchte für automatischen Modus **7** auf.
- Im automatischen Modus führt das Produkt die Programme in folgender Reihenfolge durch:
M1 (rot): 5 Minuten
M2 (blau): 3 Minuten
M3 (gelb): 4 Minuten
M4 (lila): 3 Minuten
- Die gesamte Sitzung dauert 15 Minuten. Nach Ablauf der Sitzungsdauer schaltet sich das Produkt automatisch aus.
- Sie können auch die Bedientaste **2** gedrückt halten, um das Produkt jederzeit auszuschalten.

8 Anwendungsplan

Befolgen Sie beim ersten Gebrauch des Produkts den folgenden Zeitplan:

Erste Woche	Einmal alle 3 Tage für jeweils max. 10 Minuten verwenden
Zweite Woche	Einmal alle 2 Tage für jeweils max. 10 Minuten verwenden
Dritte Woche	Einmal alle 2 Tage für jeweils max. 10–15 Minuten verwenden
Vierte Woche	Jeden Tag für jeweils max. 10–15 Minuten verwenden

Sobald sich Ergebnisse zeigen, passen Sie die Häufigkeit auf ein oder zwei Male pro Woche an.

9 Reinigung

⚠️ WARNUNG! STROMSCHLAGGEFAHR!

- Trennen Sie das Produkt vor dem Reinigen immer von der Stromquelle.

HINWEIS! BESCHÄDIGUNGSGEFAHR!

- Verwenden Sie keine aggressiven Reinigungsmittel, Bürsten mit Metallborsten sowie scharfe oder metallische Reinigungsutensilien wie Messer, harte Spachtel und dergleichen.
- Verwenden Sie zum Reinigen kein heißes Wasser.
- Wischen Sie die Handmaske **1** mit einem feuchten Tuch oder einem wasserbasierten Reinigungstuch ab. Wischen Sie sie dann mit einem trockenen Tuch trocken.

10 Aufbewahrung

Vor der Aufbewahrung müssen alle Teile vollständig trocken sein.

- Bewahren Sie das Produkt an einem sauberen und trockenen Ort auf, der vor Hitze und direktem Sonnenlicht geschützt ist.
- Bewahren Sie das Produkt so auf, dass es für Kinder unzugänglich ist.
- Bewahren Sie das Produkt in der Originalverpackung auf, um es bestmöglich zu schützen.

11 Fehlersuche

Einige Probleme werden möglicherweise durch geringfügige Störungen verursacht, die Sie selbst beheben können. Befolgen Sie dazu die Anweisungen in der folgenden Tabelle. Sollte sich das Problem

damit nicht beheben lassen, wenden Sie sich an den Kundendienst. Reparieren Sie das Produkt nicht selbst.

Störung	Mögliche Ursache und Lösung
Das Produkt funktioniert nicht.	<ul style="list-style-type: none"> • Stellen Sie sicher, dass das Produkt ordnungsgemäß geladen ist. • Stellen Sie sicher, dass das Produkt nicht mit einer USB-Stromquelle verbunden ist. Das Produkt funktioniert während des Ladens nicht.
Das Produkt lässt sich nicht laden.	<ul style="list-style-type: none"> • Stellen Sie sicher, dass das USB-Kabel 9 sicher zwischen dem Ladeanschluss 6 und der USB-Stromquelle angeschlossen ist.

12 Technische Daten

Modell:	HAC01
Nennaufnahmeleistung:	5 V === 1 A
Betriebsspannung:	3,7 V
Akkukapazität:	1 500 mAh, 5,55 Wh (Lithium)
Akkutyp:	1 x 1 500 mAh, Lithium (wiederaufladbar)
Anzahl LED-Leuchten:	108
Gewicht:	334 g
Abmessungen (L x H x B):	387 x 185 x 52 mm

13 Entsorgung

13.1 Verpackung entsorgen



Entsorgen Sie die Verpackung sortenrein. Geben Sie Pappe und Karton zum Altpapier, Folien in die Wertstoffsammlung.

13.2 Produkt entsorgen

(Anwendbar in der Europäischen Union und anderen europäischen Staaten mit Systemen zur getrennten Sammlung von Wertstoffen)

WEEE-Reg.-Nr. DE 31619958 und BattG-Reg.-Nr. DE 17485055



Altgeräte dürfen nicht über den Hausmüll entsorgt werden!

Sollte das Produkt einmal nicht mehr verwendet werden können, so ist jeder Verbraucher gesetzlich verpflichtet,

Altgeräte getrennt vom Hausmüll, z. B. bei einer Sammelstelle seiner Gemeinde/seines Stadtteils oder neu jetzt auch im Handel abzugeben.

Damit wird gewährleistet, dass Altgeräte fachgerecht verwertet und negative Auswirkungen auf die Umwelt vermieden werden. Deswegen sind Elektrogeräte mit dem hier abgebildeten Symbol gekennzeichnet.

Batterien und Akkus dürfen nicht über den Hausmüll entsorgt werden!



Als Endverbraucher sind Sie gesetzlich verpflichtet, sämtliche Batterien und Akkus – ganz gleich, ob sie gefährliche Stoffe* enthalten oder nicht – bei einer

Sammelstelle der Gemeinde/des Stadtbezirks oder bei einem Händler abzugeben, sodass sie umweltfreundlich entsorgt werden können.

Bringen Sie das vollständige Produkt (einschließlich des Akkus) zu Ihrer Sammelstelle, und stellen Sie sicher, dass der Akku entladen ist!

*gekennzeichnet mit: Cd = Cadmium, Hg = Quecksilber, Pb = Blei

14 Garantieinformationen

Dieses Produkt wird nach den europäischen Regelungen und Gesetzen von einer 2-Jahres-Garantie abgedeckt. Der Umfang der Garantie auf dieses Produkt beschränkt sich auf technische Mängel, die durch fehlerhafte Produktionsprozesse verursacht wurden. Wenn Sie Anspruch auf Garantie erheben wollen, achten Sie bitte darauf, bei unserem Kundenservice Anweisungen einzuholen. Er kann Ihr Problem vielleicht lösen, ohne dass das Produkt an das Geschäft oder unser Servicezentrum zurückgeschickt werden muss. Unser Kundenservice hilft Ihnen immer gern!

15 Kundenservice

Weitere Informationen über die Produkte von Silk'n finden Sie auf Ihrer regionalen Silk'n-Webseite: www.silkn.eu. Wenn das Gerät beschädigt oder defekt ist, eine Reparatur benötigt oder Sie unsere Hilfe brauchen, wenden Sie sich bitte an das Silk'n-Servicezentrum in Ihrer Nähe. Sie können dieses Benutzer-handbuch auch von www.silkn.eu als PDF herunterladen.

Servicenummer: 089 51 23 44 23

E-Mail: kundenservicede@silkn.eu

Mentions légales

Invention Works B.V. se réserve le droit d'apporter des changements à ses produits ou aux spécifications de ses produits afin d'en améliorer la performance, la fiabilité ou la productibilité. Tous les renseignements fournis par Invention Works B.V. au moment de leur publication ont été établis de bonne foi et sont exacts et fiables. Invention Works B.V. décline néanmoins toute responsabilité au regard leur utilisation. Aucune licence n'est implicitement accordée ou accordée autrement en vertu de tout brevet ou droit de brevet de Invention Works B.V.

Aucune partie de ce document ne peut être reproduite, ni transmise sous quelque forme que ce soit ou par quelque procédé électronique ou mécanique, sans l'accord écrit de Invention Works B.V. Les données sont sujettes à changement sans préavis.

Silk'n Beauty Ltd. détient les brevets et les brevets en instance, la marque de commerce, les droits réservés ou d'autres droits de propriété intellectuelle afférents au sujet de ce document. La délivrance de ce document ne vous confère aucune licence sur ces brevets, marques commerciales, droits d'auteur ou autres droits de propriété intellectuelle hormis ceux expressément accordés par contrat écrit avec Silk'n Beauty Ltd. Les spécifications sont sujettes à changement sans préavis.

Silk'n et le logo Silk'n sont des marques déposées de Silk'n Beauty Ltd.

Invention Works B.V.
Galileistraat 17, 3029 AL Rotterdam, Les Pays-Bas
www.silkn.eu - info@silkn.eu

Table des matières

1	Contenu de la livraison/ pièces de l'appareil	16
2	Généralités	16
2.1	Lire et conserver le mode d'emploi	16
2.2	Explication des symboles	16
3	Sécurité	16
3.1	Utilisation conforme à l'usage prévu	16
3.2	Consignes de sécurité	16
4	Vérifier le produit et le contenu de la livraison	17
5	Charger	18
6	Montage	18
7	Manipulation	18
7.1	Effectuer la séance	18
7.2	Fonctionnement manuel	19
7.3	Mode automatique	19
8	Plan d'application	19
9	Nettoyage	19
10	Rangement	19
11	Recherche d'erreurs	19
12	Données techniques	20
13	Élimination	20
13.1	Éliminer l'emballage	20
13.2	Éliminer le produit	20
14	Garantie	20
15	Service à la clientèle	20

I Contenu de la livraison/ pièces de l'appareil

- 1 Masque pour les mains
- 2 Touche de commande
- 3 Touche Mode
- 4 Témoin lumineux pour le mode manuel
- 5 Témoin lumineux du programme, 4x
- 6 Prise de chargement
- 7 Témoin lumineux pour le mode automatique
- 8 Bande élastique
- 9 Câble USB

2 Généralités

2.1 Lire et conserver le mode d'emploi



Ce mode d'emploi fait partie du LED Hand Mask (masque pour les mains à LED) (ci-après dénommé le « produit »). Il contient des informations importantes

pour la mise en service et l'utilisation.

Veillez lire d'abord le mode d'emploi attentivement avant d'utiliser le produit. Ceci concerne en particulier les consignes de sécurité. Le non-respect de ce mode d'emploi peut provoquer des blessures ou endommager le produit. Le mode d'emploi est basé sur les normes et réglementations en vigueur dans l'Union européenne et au Royaume-Uni.

À l'étranger, veuillez également respecter les directives et lois spécifiques au pays. Conservez le mode d'emploi pour des utilisations futures.

Si vous transmettez le produit à des tiers, joignez obligatoirement ce mode d'emploi.

2.2 Explication des symboles

Les symboles et mots signalétiques suivants sont utilisés dans ce mode d'emploi, sur le produit ou sur l'emballage.

⚠ AVERTISSEMENT !

Ce symbole/mot signalétique indique qu'il existe un risque de degré moyen qui, si on ne l'évite pas, peut entraîner la mort ou une blessure grave.

AVIS !

Ce mot signalétique met en garde contre de possibles dommages matériels.



Ce symbole vous fournit des informations supplémentaires utiles sur la manipulation et l'utilisation.



Veillez lire le mode d'emploi.



Déclaration de conformité : Les produits portant ce symbole satisfont à toutes les dispositions communautaires de l'Espace économique européen.



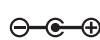
Déclaration de conformité : Les produits portant ce symbole satisfont à toutes les directives applicables du Royaume-Uni.



Ce symbole indique la tension nominale et le courant nominal pour le courant continu.



Les appareils désignés par ce symbole conviennent uniquement pour une utilisation dans le foyer (dans des espaces intérieurs secs).



Ce symbole indique la polarité de la prise de charge.

3 Sécurité

3.1 Utilisation conforme à l'usage prévu

Ce produit est exclusivement conçu pour restaurer l'élasticité et la structure de votre peau. De plus, il aide à réduire les ridules, les rides et autres imperfections de la peau. Il est destiné exclusivement à l'usage privé et n'est pas adapté à une utilisation professionnelle.

Utilisez le produit uniquement de la façon décrite dans ce mode d'emploi. Toute autre utilisation est considérée comme non conforme à l'usage prévu et peut provoquer des dommages matériels ou corporels. Le fabricant décline toute responsabilité pour les dommages ou les blessures résultant d'une utilisation non conforme ou incorrecte.

3.2 Consignes de sécurité

⚠ AVERTISSEMENT ! RISQUE DE CHOC ÉLECTRIQUE !

- Utilisez le produit uniquement avec le câble USB fourni.
- Ne raccordez le câble USB du produit qu'à un bloc d'alimentation adapté (source de tension SELV conforme à la norme IEC/EN 60335). Celui-ci doit être raccordé à une prise électrique facilement accessible afin que vous puissiez débrancher rapidement l'appareil en cas de dysfonctionnement.
- Ne mettez pas le produit en service s'il est endommagé ou si le câble USB est défectueux.

- N'ouvrez pas le boîtier, demandez à des spécialistes d'effectuer la réparation. Veuillez vous adresser pour cela au service après-vente. Nous déclinons toute responsabilité et toute garantie en cas de réparations effectuées de votre propre chef, de branchement non conforme ou d'utilisation incorrecte.
- Utilisez uniquement des composants correspondant aux données d'origine de l'appareil pour procéder aux réparations. Dans ce produit se trouvent des pièces électriques et mécaniques indispensables pour la protection contre des sources de risque.
- Ne plongez pas le produit ou le câble USB dans l'eau ou d'autres liquides. Tenez-les éloignées de l'eau.
- Éteignez toujours le produit lorsque vous ne l'utilisez pas, lorsque vous le nettoyez ou en cas de panne. Débranchez toujours le câble USB de la prise électrique lorsque vous ne chargez pas le produit.
- Ne saisissez jamais le câble USB avec les mains mouillées ou humides.
- Ne placez pas d'objets dans le boîtier.
- Tenez éloignées toutes les pièces du produit de flammes nues et de surfaces chaudes.
- Placez le câble USB de façon à ce qu'il ne devienne pas un piège à trébucher.
- Ne retirez jamais le câble USB du bloc d'alimentation en tirant sur le câble, mais saisissez toujours la fiche réseau du câble.
- Ne pliez pas le câble USB et ne le posez pas sur des bords coupants.
- N'utilisez le produit que dans des espaces intérieurs.
- N'utilisez pas le produit pendant le chargement.
- Le produit ne doit pas être utilisé par les femmes enceintes, les enfants, les personnes souffrant d'épilepsie, les patients souffrant de la thyroïde, les personnes prenant des médicaments pour la thyroïde, les personnes photo-allergiques ou les personnes prenant des médicaments pour traiter une allergie à la lumière.
- Le produit ne doit pas être utilisé en cas de maladies de la peau, de suppuration de plaies, de plaies accidentelles ou post-opératoires.
- Ne pas utiliser le produit plus de 15 minutes par séance.
- Consultez votre médecin si vous n'êtes pas sûr de pouvoir utiliser le produit.
- Si vous vous sentez mal, si vous avez des réactions anormales (par exemple des démangeaisons ou des inflammations désagréables) ou si votre peau devient inconfortablement chaude, cessez d'utiliser le produit.
- Si le produit n'est pas utilisé correctement, du liquide peut s'écouler de la batterie. Évitez tout contact avec celui-ci. Le liquide s'écoulant de la batterie peut provoquer des irritations ou des brûlures.
- En cas de contact du liquide de la batterie avec la peau, les yeux ou les muqueuses, lavez et rincez immédiatement les endroits concernés à l'eau propre. Consultez un médecin si nécessaire.
- Les batteries ne doivent pas être démontées, court-circuitées ou jetées dans le feu.

⚠ AVERTISSEMENT ! RISQUE DE BLESSURE !

- Ce produit peut être utilisé par des personnes ayant des capacités physiques, sensorielles ou mentales limitées, ou par des personnes ayant un manque d'expérience et de connaissances si elles sont supervisées ou formées à l'utilisation en toute sécurité du produit et si elles comprennent les dangers associés à son utilisation. Les enfants ne doivent pas jouer avec le produit. Le nettoyage et l'entretien utilisateur ne doivent pas être effectués par des enfants.
- Tenez les enfants éloignés du produit et du câble USB.

AVIS ! RISQUE D'ENDOMMAGEMENT !

- Tenez le produit éloigné des feux ouverts, surfaces chaudes, températures élevées ou intempéries (par ex. pluie).
- N'utilisez plus le produit si des pièces sont fissurées, cassées ou déformées. Remplacez les pièces endommagées uniquement par des pièces de rechange d'origine correspondantes.

4 Vérifier le produit et le contenu de la livraison

AVIS ! RISQUE D'ENDOMMAGEMENT !

- Si vous ouvrez négligemment l'emballage avec un couteau aiguisé ou à l'aide d'autres objets pointus, vous risquez rapidement d'endommager le produit. Ouvrez l'emballage avec précaution.

1. Retirez le produit de l'emballage.
2. Assurez-vous que la livraison est complète (voir **fig. A**).

3. Contrôlez que le produit ou les différentes pièces ne présentent pas de dommages. Si c'est le cas, n'utilisez pas le produit. Adressez-vous à notre service à la clientèle.

5 Charger

⚠ AVERTISSEMENT ! RISQUE DE BLESSURE !

- Utilisez uniquement le câble USB fourni pour la recharge.
- Chargez le produit uniquement à des températures comprises entre 0 et 40 °C.
- Débranchez toujours le produit de la prise de courant une fois qu'il est chargé.



- Chargez complètement le produit avant la première utilisation et lorsque la batterie est faible.
- Lorsque la batterie est faible, les témoins lumineux du produit clignotent 10 fois avant de s'éteindre automatiquement. Chargez le produit.
- Le produit ne peut pas être utilisé pendant qu'il charge.
- Si le produit est conservé pendant une longue période, il convient de vérifier le niveau de la batterie et de recharger le produit régulièrement.

1. Branchez la plus petite extrémité du câble USB **9** sur la prise de chargement **6** du produit.
2. Insérez la plus grande extrémité du câble USB dans le port USB d'une source d'alimentation USB appropriée (p. ex. bloc d'alimentation USB).
3. Branchez le bloc d'alimentation USB dans une prise de courant pour le charger.

Le processus de chargement démarre automatiquement. Vérifiez que les témoins lumineux du programme **5** restent allumés pendant la charge.

Un témoin lumineux = chargé à 25 %
 Deux témoins lumineux = chargé à 50 %
 Trois témoins lumineux = chargé à 75 %
 Quatre témoins lumineux = totalement chargé

4. Lorsque le chargement est terminé, débranchez le bloc d'alimentation USB du port de chargement du produit.

6 Montage

1. Ouvrez les bandes velcro sur l'élastique **8** et faites passer l'élastique par les ouvertures sur les côtés du masque pour les mains **11** (voir étape 1 de la **fig. B**).

2. Fermez les bandes velcro pour fixer l'élastique au masque pour les mains (voir étape 2 de la **fig. B**).

7 Manipulation

⚠ AVERTISSEMENT ! RISQUE DE BLESSURE !

- Ne pas utiliser le produit plus de 15 minutes par séance.



Précautions d'utilisation du produit (voir **fig. C**) :

- Ne rangez pas la produit plié.
- Ne pliez pas le produit à plus de 90° pendant l'utilisation.
- Ne posez pas d'objets lourds sur le produit.

7.1 Effectuer la séance

1. Chargez complètement le produit et fixez correctement l'élastique **8** (voir chapitres « Charger » et « Montage »).
2. Nettoyez et séchez soigneusement votre main. Assurez-vous qu'elle est exempte de maquillage et de saleté.
3. Asseyez-vous ou allongez-vous et placez le masque pour les mains **1** sur votre main.
4. Si nécessaire, ajustez la longueur de l'élastique pour que le masque pour les mains repose confortablement sur votre main.
5. Appuyez sur la touche de commande **2** pour allumer le produit.

Le produit passe par défaut en mode manuel après sa mise en marche et le programme M1 (rouge) est sélectionné.

6. Si nécessaire, appuyer plusieurs fois sur la touche Mode **3** pour basculer entre le mode automatique et le mode manuel.

Selon votre sélection, le témoin lumineux du mode manuel **4** ou le témoin lumineux du mode automatique **7** s'allume.

Pour plus d'informations sur l'utilisation du mode manuel, reportez-vous au chapitre « Fonctionnement manuel ».

Pour plus d'informations sur l'utilisation du mode automatique, reportez-vous au chapitre « Mode automatique ».

7. Après la séance, retirez le masque pour les mains et appliquez un sérum et/ou une crème de jour/nuit sur votre main.

7.2 Fonctionnement manuel

- Le produit passe par défaut en mode manuel après sa mise en marche et le programme M1 (rouge) est sélectionné.
- Si vous souhaitez recourir à un autre programme (M2, M3 ou M4), appuyez 1 à 3 fois sur la touche de commande **2** pour le sélectionner. Le témoin lumineux du programme **5** correspondant s'allume, indiquant ainsi votre choix.
- Avis :** Si vous appuyez une quatrième fois sur la touche de commande, le produit s'éteint.
- En mode manuel, le témoin lumineux du mode manuel **4** s'allume.
- Fonctions des programmes :

Pro-gramme	LED	Convient idéalement pour
M1	Rouge	Réduit les rides et ridules, stimule le collagène et améliore la circulation sanguine
M2	Bleu	Réduit les rougeurs et les impuretés dues à l'acné, donne à la peau un aspect plus clair
M3	Jaune	Améliore l'hydratation de la peau et apaise les peaux sèches et sensibles
M4	Lilas	Prévient le vieillissement de la peau et réduit les impuretés cutanées, améliore la vitalité et l'éclat de la peau

- La séance dure 10 minutes. Une fois la durée de la séance écoulée, le produit s'éteint automatiquement.
- Vous pouvez également maintenir la touche de commande enfoncée pour éteindre le produit à tout moment.

7.3 Mode automatique

- En mode automatique, le témoin lumineux du mode automatique **7** s'allume.
- En mode automatique, le produit exécute les programmes dans l'ordre suivant :
M1 (rouge) : 5 minutes
M2 (bleu) : 3 minutes
M3 (jaune) : 4 minutes
M4 (lilas) : 3 minutes
- La séance totale dure 15 minutes. Une fois la durée de la séance écoulée, le produit s'éteint automatiquement.
- Vous pouvez également maintenir la touche de commande **2** enfoncée pour éteindre le produit à tout moment.

8 Plan d'application

Lors de la première utilisation du produit, suivez le calendrier suivant :

Première semaine	Utiliser tous les 3 jours à raison de max. 10 minutes à chaque fois
Seconde semaine	Utiliser tous les 2 jours à raison de max. 10 minutes à chaque fois
Troisième semaine	Utiliser tous les 2 jours à raison de max. 10–15 minutes à chaque fois
Quatrième semaine	Utiliser tous les jours à raison de max. 10–15 minutes à chaque fois

Dès que des résultats apparaissent, ajustez la fréquence à une ou deux fois par semaine.

9 Nettoyage

⚠ AVERTISSEMENT ! RISQUE DE CHOC ÉLECTRIQUE !

- Toujours déconnecter le produit de l'alimentation électrique avant de procéder à son nettoyage.

AVIS ! RISQUE D'ENDOMMAGEMENT !

- N'utilisez aucun produit de nettoyage agressif, aucune brosse métallique, ainsi qu'aucun ustensile de nettoyage tranchant ou métallique tel qu'un couteau, une spatule dure ou un objet similaire.
- N'utilisez pas d'eau chaude pour le nettoyage.
- Essuyer le masque pour les mains **1** avec un chiffon humide ou un chiffon de nettoyage à base d'eau. Séchez-le ensuite avec un chiffon sec.

10 Rangement

Avant le rangement, toutes les pièces doivent être complètement sèches.

- Rangez le produit dans un endroit propre et sec, à l'abri de la chaleur et de la lumière directe du soleil.
- Conservez le produit de sorte qu'il soit hors de portée des enfants.
- Conservez le produit dans son emballage d'origine afin de le protéger au mieux.

11 Recherche d'erreurs

Certains problèmes sont probablement causés par des perturbations mineures que vous pouvez éliminer par vous-même. Suivez pour ceci les instructions dans le tableau suivant. Si le problème ne peut pas être résolu ainsi, adressez-vous au service à la clientèle. Ne réparez pas le produit vous-même.

Panne	Cause possible et solution
Le produit ne fonctionne pas.	<ul style="list-style-type: none"> Assurez-vous que le produit est correctement chargé. Assurez-vous que le produit n'est pas connecté à une source d'alimentation USB. Le produit ne fonctionne pas pendant le chargement.
Le produit ne peut pas être chargé.	<ul style="list-style-type: none"> Assurez-vous que le câble USB 9 est bien raccordé entre la prise de chargement 6 et la source d'alimentation USB.

12 Données techniques

Modèle :	HAC01
Puissance absorbée nominale :	5 V === I A
Tension de service :	3,7 V
Capacité de la batterie :	1 500 mAh, 5,55 Wh (Lithium)
Nombre de LED :	108
Poids :	334 g
Dimensions (L × l × h) :	387 × 185 × 52 mm

13 Élimination

13.1 Éliminer l'emballage



Éliminez l'emballage selon les types de matériaux. Mettez les déchets en papier, en carton et en pellicule dans la collecte des matières recyclables.

13.2 Éliminer le produit

(Applicable dans l'Union européenne et dans d'autres pays européens avec des systèmes de collecte séparée selon les matières à recycler)



Les appareils usagés ne doivent pas être jetés dans les ordures ménagères !

Si le produit ne peut plus du tout être utilisé, **éliminez-le selon les prescriptions en vigueur dans votre région/département ou pays.** Ceci garantit un recyclage approprié des appareils usagés dans un circuit d'élimination respectueux de l'environnement. C'est pour cette raison que les appareils électriques portent le symbole présenté ici.

Ne pas jeter les piles et les batteries usagées avec les déchets ménagers !



En tant qu'utilisateur final, vous êtes légalement tenu de rapporter toutes les piles et accumulateurs (qu'ils contiennent ou non des substances dangereuses*) à un point de collecte municipal ou à un revendeur afin qu'ils puissent être éliminés de manière écologique.

Apportez le produit complet (y compris la batterie) à votre point de collecte et assurez-vous que la batterie est déchargée

Apportez le produit complet (y compris la batterie) à votre point de collecte et assurez-vous que la batterie est déchargée !

* repéré par : Cd = cadmium, Hg = mercure, Pb = plomb

14 Garantie

Ce produit est couvert par une garantie de 2 ans conformément aux règlements et loi européens. La garantie de ce produit est limitée aux défauts techniques causés par des procédés de production défectueux. Si vous souhaitez faire valoir votre garantie, veuillez vous adresser à notre Service à la clientèle pour obtenir des instructions. Le service sera peut-être en mesure de résoudre votre problème sans que vous ayez besoin de ramener votre produit au magasin ou à votre centre de service. Notre Service à la clientèle se fait toujours un plaisir de vous servir !

15 Service à la clientèle

Pour de plus amples renseignements sur les produits Silk'n, veuillez visiter votre site Internet Silk'n local : www.silkn.eu. Si votre appareil est endommagé, a besoin de réparations ou pour toute autre assistance, veuillez contacter votre Service à la clientèle Silk'n le plus proche. Ce manuel est également à votre disposition en version PDF, téléchargeable à partir du site www.silkn.eu.

France

Numéro du service : 0891-655557

E-mail : serviceconsommateurfr@silkn.eu

Belgique

Numéro du service : 0800-29316

E-mail : serviceconsommateurbe@silkn.eu

Juridische kennisgeving

Invention Works B.V. behoudt zich het recht voor om wijzigingen door te voeren aan haar producten of specificaties teneinde de prestaties, de betrouwbaarheid en/of de produceerbaarheid te verbeteren. De informatie verschaft door Invention Works B.V. wordt op het moment van publicatie geacht accuraat en betrouwbaar te zijn. Echter, Invention Works B.V. aanvaardt geen enkele aansprakelijkheid voor het gebruik ervan. Er wordt geen licentie verleend bij implicatie of anderszins, op grond van welk patent of patentrecht van Invention Works B.V. dan ook.

Niets van dit document mag worden verveelvoudigd of openbaar gemaakt, in welke vorm of op welke wijze dan ook, elektronisch of mechanisch, voor welk doeleinde dan ook, zonder uitdrukkelijke schriftelijke toestemming van Invention Works B.V. De gegevens kunnen worden gewijzigd zonder voorafgaande kennisgeving.

Silk'n Beauty Ltd. heeft patenten en lopende patentaanvragen, handelsmerken, auteursrechten en andere intellectuele eigendomsrechten die de onderwerpen in dit document dekken. Het verkrijgen van dit document geeft u geen enkele licentie voor het gebruik van deze patenten, handelsmerken, auteursrechten of welke andere intellectuele eigendomsrechten dan ook, tenzij expliciet vermeld in een schriftelijke toestemming van Silk'n Beauty Ltd. De specificaties kunnen worden gewijzigd zonder voorafgaande kennisgeving.

Silk'n en het Silk'n-logo zijn geregistreerde handelsmerken van Silk'n Beauty Ltd.

Invention Works B.V.
Galileistraat 17, 3029 AL Rotterdam, Nederland
www.silkn.eu - info@silkn.eu

Inhoud

1	Verpakkingsinhoud/onderdelen van het apparaat	22
2	Algemeen	22
2.1	Gebruiksaanwijzing lezen en bewaren	22
2.2	Verklaring van symbolen	22
3	Veiligheid	22
3.1	Reglementair gebruik	22
3.2	Veiligheidsinstructies	22
4	Product en verpakkingsinhoud controleren	23
5	Laden	24
6	Montage	24
7	Bediening	24
7.1	Sessie uitvoeren	24
7.2	Handmatige modus	24
7.3	Automatische modus	25
8	Toepassingsschema	25
9	Reiniging	25
10	Bewaring	25
11	Fouten opsporen	25
12	Technische gegevens	26
13	Afvoer	26
13.1	Verpakking afvoeren	26
13.2	Product afvoeren	26
14	Garantie	26
15	Klantenservice	26

I Verpakkingsinhoud/ onderdelen van het apparaat

- 1 Handmasker
- 2 Bedieningstoets
- 3 Modus-knop
- 4 Indicatielampje voor handmatige modus
- 5 Indicatielampje voor programma, 4x
- 6 Laadaansluiting
- 7 Indicatielampje voor automatische modus
- 8 Elastische band
- 9 USB-kabel

2 Algemeen

2.1 Gebruiksaanwijzing lezen en bewaren



Deze gebruiksaanwijzing hoort bij dit LED Hand Mask (led-handmasker) (hierna "product" genoemd). Ze bevat belangrijke informatie over de ingebruikneming en

het gebruik.

Lees grondig de gebruiksaanwijzing alvorens het product te gebruiken. Dit geldt in het bijzonder voor de veiligheidsinstructies. Het niet naleven van deze gebruiksaanwijzing kan leiden tot verwondingen of schade aan het product. De gebruiksaanwijzing is gebaseerd op de normen en regels die in de Europese Unie en het Verenigd Koninkrijk van kracht zijn. Gelieve in het buitenland de richtlijnen en wetten van het desbetreffende land na te leven. Bewaar de gebruiksaanwijzing voor toekomstige inzage. Als u het product aan derden geeft, geef dan zeker deze gebruiksaanwijzing mee.

2.2 Verklaring van symbolen

De volgende symbolen en signaalwoorden worden gebruikt in deze gebruiksaanwijzing, op het product of op de verpakking.

⚠ WAARSCHUWING!

Dit signaalsymbool/-woord duidt op een gevaar met een gematigde risicograad, dat, als het niet wordt vermeden, de dood of een ernstige verwonding tot gevolg kan hebben.

LET OP!

Dit signaalwoord waarschuwt voor eventuele materiële schade.



Dit symbool geeft u extra nuttige informatie over de hantering en het gebruik.



Lees de gebruiksaanwijzing.



Conformiteitsverklaring: Producten die zijn aangeduid met dit symbool vervullen alle toepasselijke gemeenschapsvoorschriften van de Europese Economische Ruimte.



Conformiteitsverklaring: Producten die zijn aangeduid met dit symbool voldoen aan alle toepasselijke voorschriften uit het Verenigd Koninkrijk.



Dit symbool duidt de nominale spanning en de ingangsstroom voor gelijkstroom aan.



Met dit symbool aangeduide apparaten zijn uitsluitend geschikt voor gebruik in het huishouden (in droge binnenruimtes).



Dit symbool geeft de polariteit van de laad-aansluiting weer.

3 Veiligheid

3.1 Reglementair gebruik

Het product is uitsluitend bedoeld voor het herstellen van de elasticiteit en structuur van uw huid. Bovendien helpt het fijne lijntjes, rimpels en andere onvolkomenheden van de huid te verminderen. Het is alleen bestemd voor privégebruik en niet geschikt voor commerciële doeleinden.

Gebruik het product alleen op de manier die in deze gebruiksaanwijzing is beschreven. Elk ander gebruik geldt als niet reglementair en kan leiden tot materiële schade of lichamelijk letsel. De fabrikant is niet aansprakelijk voor schade of verwondingen die zijn ontstaan door niet reglementair of oneigenlijk gebruik.

3.2 Veiligheidsinstructies

⚠ WAARSCHUWING! GEVAAR VOOR ELEKTROCUTIE!

- Gebruik het product alleen met de meegeleverde USB-kabel.
- Sluit de USB-kabel van het product alleen op een geschikte adapter (conform IEC/EN 60335 gecertificeerde SELV-stroomvoorziening) aan, die op zijn beurt is aangesloten op een eenvoudig toegankelijk stopcontact zodat u hem bij storing snel van het stroomnet kunt loskoppelen.
- Neem het product niet in bedrijf als het beschadigd is of als de USB-kabel defect is.

- Open de behuizing niet, maar laat de reparatie over aan vakmensen. Neem hiervoor contact op met onze klantenservice. In geval van eigenhandig uitgevoerde reparaties, inadequate aansluiting of verkeerde bediening is aansprakelijkheid of garantie uitgesloten.
- Bij reparaties mogen uitsluitend onderdelen worden gebruikt die voldoen aan de oorspronkelijke gegevens van het apparaat. In dit product bevinden zich elektrische en mechanische onderdelen die onontbeerlijk zijn voor de bescherming tegen gevarenbronnen.
- Dompel het product of de USB-kabel niet onder in water of andere vloeistoffen. Houd het product uit de buurt van water.
- Schakel het product altijd uit wanneer u het niet gebruikt, reinigt of bij storingen. Koppel de USB-kabel altijd los wanneer u het product niet oplaadt.
- Raak de USB-kabel nooit aan met natte of vochtige handen.
- Steek geen voorwerpen in de behuizing.
- Houd alle delen van het product uit de buurt van open vuur en hete oppervlakken.
- Plaats de USB-kabel zodanig dat men er niet over kan struikelen.
- Trek de USB-kabel niet aan de kabel uit de adapter, maar houd altijd de stekker van de kabel vast.
- Knik de USB-kabel niet en leg deze niet over scherpe randen.
- Gebruik het product uitsluitend binnenshuis.
- Gebruik het product niet tijdens het opladen.

⚠ WAARSCHUWING! VERWONDINGSGEVAAR!

- Dit product mag worden gebruikt door personen met beperkte fysieke, zintuiglijke of mentale vaardigheden of met een gebrek aan ervaring en kennis, indien zij onder toezicht staan of geïnstrueerd zijn in het veilige gebruik van het product en de gevaren begrijpen die met het gebruik samenhangen. Kinderen mogen niet met het product spelen. Reiniging en onderhoud mogen niet door kinderen worden uitgevoerd.
- Houd kinderen uit de buurt van het product en de USB-kabel.
- Het product mag niet worden gebruikt door zwangere vrouwen, kinderen, mensen met epilepsie, schildklierpatiënten, mensen die

schildkliermedicijnen gebruiken, mensen die fotoallergisch zijn of mensen die medicijnen gebruiken om een lichtallergie te behandelen.

- Het product mag niet worden gebruikt bij huidaandoeningen, wondzweer, trauma en postoperatieve wonden.
- Gebruik het product niet langer dan 15 minuten per sessie.
- Raadpleeg een arts als u niet zeker weet of u het product kunt gebruiken.
- Als u zich onwel voelt, als u abnormale reacties toont (bv. jeuk of een onaangename ontsteking) of als uw huid onaangenaam warm wordt, stop dan direct met het gebruik van het product.
- Bij verkeerd gebruik kan er vloeistof uit de accu komen - vermijd contact hiermee. Vloeistof uit accu's kan irritaties of brandwonden veroorzaken.
- Bij contact van huid, oog of slijmvlies met accuvloeistof moet u de betreffende plekken direct met schoon water wassen en spoelen. Raadpleeg eventueel een arts.
- Accu's mogen niet uit elkaar gehaald, kortgesloten of in vuur gegooid worden.

LET OP! BESCHADIGINGSGEVAAR!

- Houd het product uit de buurt van open vuur, hete oppervlakken, hoge temperaturen of weersinvloeden (bijv. regen).
- Gebruik het product niet langer als de kunststof onderdelen gebarsten, gebroken of vervormd zijn. Vervang de beschadigde componenten uitsluitend door passende originele reserveonderdelen.

4 Product en verpakking inhoud controleren

LET OP! BESCHADIGINGSGEVAAR!

- Als u de verpakking onvoorzichtig opent met een scherp mes of andere scherpe voorwerpen, kan het product snel worden beschadigd. Ga voorzichtig te werk bij het openen.
 1. Neem het product uit de verpakking.
 2. Controleer of de levering volledig is (zie **afb. A**).
 3. Controleer of het product of de afzonderlijke delen schade vertonen. Is dit het geval, gebruik het product dan niet. Richt u tot onze klantenservice.

5 Laden

⚠ WAARSCHUWING! VERWONDINGSGEVAAR!

- Gebruik alleen de meegeleverde USB-kabel om het product op te laden.
- Laad het product op bij een temperatuur tussen 0 en 40 °C.
- Koppel het product steeds los van de stroomvoorziening nadat het laadproces is beëindigd.

- i**
- Laad het product volledig op voorafgaand aan het eerste gebruik en als de accu bijna leeg is.
 - Als de accu bijna leeg is, knipperen de indicatielampjes op het product 10 keer voordat het automatisch wordt uitgeschakeld. Laad het product op.
 - Het product kan niet worden gebruikt tijdens het laden.
 - Als u het product langere tijd bewaart, moet regelmatig het accuniveau worden gecontroleerd en het product worden opgeladen.

1. Steek het kleinere uiteinde van de USB-kabel **9** in de laadaansluiting **6** van het product.
2. Steek het grotere uiteinde van de USB-kabel in de USB-aansluiting van een geschikte USB-stroomvoorziening (bijv. USB-voedingsadapter).
3. Steek de USB-voedingsadapter in een stopcontact om op te laden.

Het laden wordt automatisch gestart. Controleer de indicatielampjes voor programma **5**, die tijdens het opladen blijven branden.

Eén indicatielampje = 25 % opgeladen

Twee indicatielampjes = 50 % opgeladen

Drie indicatielampjes = 75 % opgeladen

Vier indicatielampjes = volledig opgeladen

4. Haal de USB-voedingsadapter uit het stopcontact en verwijder de USB-kabel uit de laadaansluiting van het product als het opladen is voltooid.

6 Montage

1. Open het klittenband op de elastische band **8** en leid de elastische band door de openingen aan de zijkanten van het handmasker **1** (zie stap 1 in **afb. B**).
2. Sluit het klittenband om de elastische band aan het handmasker te bevestigen (zie stap 2 in **afb. B**).

7 Bediening

⚠ WAARSCHUWING! VERWONDINGSGEVAAR!

- Gebruik het product niet langer dan 15 minuten per sessie.

- i**
- Voorzorgsmaatregelen voor het gebruik van het product (zie **afb. C**):
- Plaats het product nooit samengevouwen.
 - Vouw het product tijdens het gebruik niet verder dan 90°.
 - Leg geen zware voorwerpen op het product.

7.1 Sessie uitvoeren

1. Laad het product volledig op en breng de elastische band **8** op de juiste manier aan (zie hoofdstuk "Laden" en "Montage").
2. Was en droog uw hand grondig. Zorg ervoor dat uw hand vrij van make-up en vuil is.
3. Ga zitten of liggen en plaats het handmasker **1** op uw hand.
4. Pas zo nodig de elastische band aan zodat het handmasker comfortabel op uw hand ligt.
5. Druk op de bedieningstoets **2** om het product in te schakelen.

Het product wisselt na het inschakelen standaard naar de handmatige modus en het programma M1 (rood) wordt geselecteerd.

6. Druk indien gewenst meerdere malen op de modus-knop **3** om tussen de automatische en handmatige modus te wisselen.

Afhankelijk van uw selectie gaat het indicatielampje voor handmatige modus **4** of het indicatielampje voor automatische modus **7** branden.

Informatie over het gebruik van de handmatige modus vindt u in het hoofdstuk "Handmatige modus".

Informatie over het gebruik van de automatische modus vindt u in het hoofdstuk "Automatische modus".

7. Verwijder na de sessie het handmasker en breng een serum en/of dag-/nachtcrème op uw hand aan.

7.2 Handmatige modus

- Het product wisselt na het inschakelen standaard naar de handmatige modus en het programma M1 (rood) wordt geselecteerd.
- Als u een ander programma wilt gebruiken (M2, M3 of M4), drukt u 1–3 keer op de bedieningsknop **2** om het te selecteren. Het betreffende indicatielampje voor programma **5** gaat branden en geeft uw keuze aan.

Let op: Als u de vierde keer op de bedieningstoets drukt, wordt het product uitgeschakeld.

- In de handmatige modus gaat het indicatielampje voor de handmatige modus **4** branden.
- Functies van de programma's:

Programma	Led	Het beste geschikt voor
M1	Rood	Vermindert fijne lijntjes en rimpels, stimuleert collageen en verbetert de bloedsomloop
M2	Blauw	Vermindert door acne veroorzaakte roodheid en onzuiverheden, zorgt voor een mooiere teint
M3	Geel	Verbetert de vochtbalans van de huid en kalmeert de droge en gevoelige huid
M4	Paars	Voorkomt huidveroudering en vermindert huidonzuiverheden, verbetert de vitaliteit en glans van de huid

- De sessie duurt 10 minuten. Na afloop van de sessie wordt het product automatisch uitgeschakeld.
- U kunt op elk gewenst moment de bedieningstoets ingedrukt houden om het product uit te schakelen.

7.3 Automatische modus

- In de automatische modus gaat het indicatielampje voor de automatische modus **7** branden.
- In de automatische modus voert het product de programma's in deze volgorde uit:
M1 (rood): 5 minuten
M2 (blauw): 3 minuten
M3 (geel): 4 minuten
M4 (paars): 3 minuten
- De programma's duren in totaal 15 minuten. Na afloop van het programma wordt het product automatisch uitgeschakeld.
- U kunt op elk gewenst moment de bedieningstoets **2** ingedrukt houden om het product uit te schakelen.

8 Toepassingschema

Volg bij het eerste gebruik van het product het volgende schema:

Eerste week	Een keer per 3 dagen gebruiken, max. 10 minuten per keer
Tweede week	Een keer per 2 dagen gebruiken, max. 10 minuten per keer
Derde week	Een keer per 2 dagen gebruiken, max. 10–15 minuten per keer
Vierde week	Elke keer gebruiken, max. 10–15 minuten per keer

Zodra er resultaten te zien zijn, past u de frequentie aan naar een of twee keer per week.

9 Reiniging

⚠ WAARSCHUWING! GEVAAR VOOR ELEKTROCUTIE!

- Koppel het product altijd los van de stroomvoorziening alvorens het te reinigen.

LET OP! BESCHADIGINGSGEVAAR!

- Gebruik geen agressieve reinigingsmiddelen, borstels met metalen borstelharen en ook geen scherpe of metaalachtige reinigingsvoorwerpen zoals messen, harde spatels en dergelijke.
- Gebruik geen heet water bij het reinigen.
- Wis het handmasker **1** af met een vochtige doek of een reinigingsdoek op waterbasis. Wrijf het daarna droog met een droge doek.

10 Bewaring

Voor het opbergen moeten alle onderdelen helemaal droog zijn.

- Bewaar het product op een schone en droge plaats waar het product niet wordt blootgesteld aan hitte en direct zonlicht.
- Bewaar het product zodanig dat het onbereikbaar is voor kinderen.
- Bewaar het product in de originele verpakking om het zo goed mogelijk te beschermen.

11 Fouten opsporen

Een aantal problemen wordt mogelijk door geringe storingen veroorzaakt die u zelf kunt verhelpen. Neem hiervoor de aanwijzingen in de volgende tabel in acht. Kan het probleem niet worden verholpen, richt u dan tot de klantenservice. Repareer het product niet zelf.

Defect	Mogelijke oorzaak en oplossing
Het product functioneert niet.	<ul style="list-style-type: none"> • Zorg dat het product juist is opgeladen. • Zorg ervoor het product niet met een USB-stroomvoorziening is verbonden. Het product functioneert niet tijdens het opladen.
Het product kan niet worden opgeladen.	<ul style="list-style-type: none"> • Zorg ervoor dat de USB-kabel 9 correct met de laadaansluiting 6 en de USB-stroomvoorziening verbonden is.

12 Technische gegevens

Model:	HAC01
Nominaal ingangsvermogen:	5 V === 1 A
Bedrijfsspanning:	3,7 V
Accuvermogen:	1 500 mAh, 5,55 Wh (lithium)
Aantal ledlampjes:	108
Gewicht:	334 g
Afmetingen (L × H × B):	387 × 185 × 52 mm

13 Afvoer

13.1 Verpakking afvoeren



Voer de verpakking af bij het juiste soort afval. Voeg karton bij oud papier, folies bij recycling materialen.

13.2 Product afvoeren

(Van toepassing in de Europese Unie en andere Europese staten met systemen voor de gescheiden inzameling van recyclebare materialen)



Afgedankte apparaten mogen niet worden afgevoerd via het huisvuil!

Als het product ooit niet meer kan worden gebruikt, **dient u dit volgens de in uw land geldende regelingen af te**

voeren. Zo wordt gegarandeerd dat de afgedankte apparaten deskundig worden verwerkt en dat negatieve gevolgen voor het milieu worden vermeden. Daarom zijn elektrische apparaten met het afgebeelde symbool gemarkeerd.

Batterijen en accu's mogen niet worden afgevoerd via het huisvuil!



Als eindgebruiker bent u wettelijk verplicht alle batterijen en accu's, onafhankelijk of deze gevaarlijke stoffen* bevatten of niet, in te leveren bij een inzamelpunt van uw

gemeente/stadsdeel of bij een handelaar, zodat deze op een milieuvriendelijke manier kunnen worden afgevoerd.

Breng het volledige product (inclusief accu) naar uw verzamelpunt en zorg dat de accu leeg is!

*gemarkeerd met: Cd = cadmium, Hg = kwik, Pb = lood

14 Garantie

Dit product heeft een garantie van 2 jaar volgens de Europese regelingen en wetten. De omvang van de waarborg op dit product is beperkt tot technische defecten veroorzaakt door foutieve productieprogramma's. Ingeval u een waarborg wenst op te eisen, neem dan contact op met uw klantendienst voor instructies. Zij kunnen wellicht uw probleem oplossen

zonder het product te moeten terugsturen naar de winkel of ons dienstencentrum. Onze klantendienst is steeds bereid u te helpen!

15 Klantenservice

Voor meer informatie over de producten van Silk'n, bezoek uw regionale Silk'n website: www.silkn.eu. Indien het apparaat beschadigd is, herstelling nodig heeft of u hebt onze hulp nodig, gelieve uw meest nabije Silk'n dienstencentrum te contacteren. Deze handleiding is tevens beschikbaar in PDF-download op: www.silkn.eu.

Nederland

Servicenummer: 0900-2502217

Email: klantenservicenl@silkn.eu

België

Servicenummer: 0800-29316

Email: serviceconsommateurbe@silkn.eu

Aviso legal

Invention Works B.V. se reserva el derecho a introducir cambios en sus productos o en las especificaciones para mejorar su rendimiento, fiabilidad o fabricación. La información facilitada por Invention Works B.V. se considera exacta y fiable en el momento de su publicación. No obstante, Invention Works B.V. no asumirá ninguna responsabilidad por su uso. Dicha información no implica que se otorgue ninguna licencia en modo alguno, bajo ninguna patente o derechos de patente de Invention Works B.V.

No está permitido reproducir o transmitir parte del presente documento en forma o medio alguno, electrónico o mecánico, para cualquier propósito, sin el permiso escrito y explícito de Invention Works B.V. Los datos están sujetos a cambios sin notificación previa.

Silk'n Beauty Ltd. cuenta con patentes y solicitudes de patente pendientes, marcas comerciales, derechos de autor y otros derechos de propiedad intelectual que amparan la materia tratada en este documento. La posesión de este documento no le otorga licencia alguna sobre dichas patentes, marcas comerciales, derechos de autor ni otros derechos de propiedad intelectual, excepto lo expresamente provisto en cualquier contrato por escrito con Silk'n Beauty Ltd. Las especificaciones están sujetas a cambios sin previo aviso.

Silk'n y el logotipo de Silk'n son marcas registradas de Silk'n Beauty Ltd.

Invention Works B.V.
Galileistraat 17, 3029 AL Rotterdam, Países Bajos
www.silkn.eu - info@silkn.eu

Índice

1	Volumen de suministro/partes del equipo	28
2	Información general	28
2.1	Leer y guardar este manual del usuario	28
2.2	Explicación de símbolos	28
3	Seguridad	28
3.1	Uso apropiado	28
3.2	Indicaciones de seguridad	28
4	Comprobación del producto y del volumen de suministro	29
5	Carga	30
6	Montaje	30
7	Manejo	30
7.1	Ejecutar una sesión	30
7.2	Modo manual	30
7.3	Modo automático	31
8	Plan de aplicación	31
9	Limpieza	31
10	Almacenamiento	31
11	Búsqueda de fallos	31
12	Datos técnicos	32
13	Eliminación	32
13.1	Eliminación del embalaje	32
13.2	Eliminación del producto	32
14	Garantía	32
15	Atención al cliente	32

I Volumen de suministro/ partes del equipo

- 1 Mascarilla de manos
- 2 Botón de control
- 3 Botón de modo
- 4 Indicador luminoso para el modo manual
- 5 Indicador luminoso de programa, 4x
- 6 Puerto de carga
- 7 Indicador luminoso para el modo automático
- 8 Cinta elástica
- 9 Cable USB

2 Información general

2.1 Leer y guardar este manual del usuario



El presente manual del usuario pertenece a esta LED Hand Mask (mascarilla de manos LED) (en adelante, el “producto”). Contiene información importante sobre

la puesta en marcha y el uso.

Lea detenidamente el manual del usuario antes de usar el producto, sobre todo las indicaciones de seguridad. La inobservancia de este manual del usuario puede provocar lesiones o daños en el producto. El manual del usuario se basa en las normas y regulaciones vigentes en la Unión Europea y en el Reino Unido. Para el extranjero, respete también las directivas y leyes de cada país. Guarde el manual del usuario para uso posterior. Si cede el producto a otra persona, asegúrese de incluir este manual del usuario.

2.2 Explicación de símbolos

En este manual del usuario, en el producto o en el embalaje se utilizan los siguientes símbolos y términos de advertencia.

¡ADVERTENCIA!

Este símbolo/término de advertencia hace referencia a un grado de riesgo medio que, si no se evita, puede provocar la muerte o lesiones graves.

¡AVISO!

Este término de advertencia avisa de posibles daños materiales.



Este símbolo de señal le aporta información adicional útil sobre el manejo y uso.



Lea el manual del usuario.



Declaración de conformidad: Los productos identificados con este símbolo satisfacen todas las disposiciones comunitarias aplicables del Espacio Económico Europeo.



Declaración de conformidad: Los productos marcados con este símbolo cumplen todas las normativas aplicables en el Reino Unido.



Este símbolo indica la tensión nominal y la corriente nominal para corriente continua (CC).



Los dispositivos identificados con este símbolo solo son aptos para uso doméstico (en interiores secos).



Este símbolo indica la polaridad del puerto de carga.

3 Seguridad

3.1 Uso apropiado

El producto está diseñado exclusivamente para restablecer la elasticidad y la estructura de su piel. Asimismo, le ayuda a reducir las líneas finas de expresión, las arrugas y otras imperfecciones de la piel. Solo está concebido para uso privado y no para el ámbito industrial.

Utilice el producto únicamente en la forma que se describe en el presente manual del usuario. Cualquier otro uso se considera inapropiado y puede provocar daños materiales o personales. El fabricante no asume ninguna responsabilidad por daños o lesiones provocados por un uso indebido o incorrecto.

3.2 Indicaciones de seguridad

¡ADVERTENCIA! ¡PELIGRO DE DESCARGA ELÉCTRICA!

- Utilice el producto únicamente con el cable USB suministrado.
- Conecte el cable USB del producto únicamente a una fuente de alimentación adecuada (fuente de tensión SELV certificada de conformidad con la norma IEC/EN 60335) que, a su vez, esté conectada a una toma de corriente de fácil acceso para que pueda desconectar el producto de la red eléctrica en caso de avería.
- No use el producto si está dañado o si el cable USB está defectuoso.
- No abra la carcasa y deje que la reparación la efectúen técnicos especializados. Para ello, contacte con el servicio de atención al cliente. Si se realizan reparaciones en forma independiente, se conecta en forma inadecuada o

se utiliza incorrectamente, se perderá todo derecho a garantía.

- Solo se permitirá usar para las reparaciones aquellas partes que coincidan con los datos originales del equipo. Este producto contiene piezas eléctricas y mecánicas que son imprescindibles para la protección contra fuentes de riesgo.
- No sumerja el producto ni el cable USB en agua u otros líquidos. Manténgalo lejos del agua.
- Apague siempre el producto cuando no lo utilice, cuando lo limpie o cuando se produzca una avería. Desconecte siempre el cable USB cuando no esté cargando el producto.
- No toque nunca el cable USB con las manos mojadas o húmedas.
- No inserte objetos en la carcasa.
- Mantenga todas las piezas del producto alejadas del fuego abierto y superficies calientes.
- Tienda el cable USB de forma que no pueda provocar tropiezos.
- No retire el cable USB de la fuente de alimentación tirando del cable, en su lugar, agarre siempre el enchufe del mismo.
- No doble el cable USB ni lo coloque encima de bordes afilados.
- Utilice el producto únicamente en interiores.
- No utilice el producto mientras se está cargando.

⚠ ¡ADVERTENCIA! ¡PELIGRO DE LESIÓN!

- Este producto puede ser utilizado por personas con capacidades físicas, sensoriales o mentales limitadas, o por personas con experiencia y conocimientos limitados, siempre y cuando sean supervisadas o instruidas sobre el uso seguro del producto, y siempre y cuando entiendan los peligros asociados con su uso. Los niños no pueden jugar con el producto. Los niños no deben llevar a cabo la limpieza y el mantenimiento que corresponde al usuario.
- Mantenga a los niños alejados del producto y del cable USB.
- El producto no debe ser utilizado por embarazadas, niños, personas epilépticas, pacientes con problemas de tiroides, personas que tomen medicamentos para la tiroides, personas fotoalérgicas o personas que tomen medicamentos para el tratamiento a la alergia al sol.

- El producto no debe usarse en caso de enfermedades cutáneas, heridas supurantes o heridas posoperatorias u ocasionadas en accidentes.
- No utilice el producto durante más de 15 minutos en cada sesión.
- Consulte a su médico si tiene dudas sobre si puede utilizar el producto.
- Si siente malestar o aparecen reacciones anómalas (p. ej., picor o inflamaciones incómodas) o si la piel se calienta de manera incómoda, interrumpa inmediatamente el uso del producto.
- En caso de un uso inadecuado pueden producirse fugas del líquido de la batería; evite el contacto con el mismo. El líquido que pudiera fugarse de la batería puede provocar irritaciones o quemaduras químicas.
- En caso de que el líquido de la batería entrase en contacto con la piel, los ojos o las mucosas, lave y enjuague la zona afectada inmediatamente con agua limpia. Si fuera necesario, busque atención médica.
- Las baterías no deben desmontarse, cortocircuitarse ni arrojarse al fuego.

¡AVISO! ¡PELIGRO DE DAÑOS!

- Mantenga el producto alejado de las llamas, las superficies calientes, las altas temperaturas o las inclemencias del tiempo (por ejemplo, la lluvia).
- Deje de utilizar el producto si las piezas de plástico están rajadas, rotas o deformadas. Los componentes dañados solo deben sustituirse por las piezas de repuesto originales consiguientes.

4 Comprobación del producto y del volumen de suministro

¡AVISO! ¡PELIGRO DE DAÑOS!

- Si abre sin cuidado el embalaje con un cuchillo afilado u otro objeto puntiagudo, se puede dañar rápido el producto. Al abrirlo, proceda con mucho cuidado.

1. Saque el producto del embalaje.
2. Asegúrese de que el suministro esté completo (véase la **fig. A**).
3. Compruebe si el producto o las piezas individuales presentan daños. En tal caso, no utilice el producto. Contacte con nuestro servicio de atención al cliente.

5 Carga

⚠ ¡ADVERTENCIA! ¡PELIGRO DE LESIÓN!

- Utilice únicamente el cable USB suministrado para la carga.
- Cargue el producto únicamente a una temperatura de entre 0 y 40 °C.
- Desconecte siempre el producto del suministro eléctrico después de finalizar el proceso de carga.



- Cargue completamente el producto antes del primer uso y cuando la batería esté baja.
- Cuando la alimentación de la batería se agote, los indicadores luminosos del producto parpadearán 10 veces antes de apagarse automáticamente. Cargue el producto.
- El producto no se puede utilizar durante la carga.
- Si el producto se almacena durante un tiempo prolongado, es necesario comprobar el estado de la batería y cargar regularmente el producto.

1. Conecte el extremo más pequeño del cable USB **9** en el puerto de carga **6** del producto.
2. Inserte el extremo grande del cable USB en un puerto USB de una fuente de corriente USB apropiada (p. ej., una fuente de alimentación USB).
3. Enchufe la fuente de alimentación USB a una toma de corriente.
El proceso de carga se inicia automáticamente. Compruebe los indicadores luminosos de programas **5**, que se encienden durante el proceso de carga.
Un indicador luminoso = cargado al 25 %
Dos indicadores luminosos = cargado al 50 %
Tres indicadores luminosos = cargado al 75 %
Cuatro indicadores luminosos = carga completada
4. Una vez finalizada la carga, desenchufe la fuente de alimentación USB de la toma de corriente y desconecte el cable USB del puerto de carga del producto.

6 Montaje

1. Abra los cierres de velcro de la cinta elástica **8** y pase la cinta por los orificios de los laterales de la mascarilla de manos **1** (véase el paso 1 en la **fig. B**).
2. Cierre los cierres de velcro para fijar la cinta a la mascarilla de manos (véase el paso 2 en la **fig. B**).

7 Manejo

⚠ ¡ADVERTENCIA! ¡PELIGRO DE LESIÓN!

- No utilice el producto durante más de 15 minutos en cada sesión.



Precauciones para la utilización del producto (véase la **fig. C**):

- No coloque el producto plegado.
- No pliegue el producto más de 90° durante su utilización.
- No coloque objetos pesados sobre el producto.

7.1 Ejecutar una sesión

1. Cargue completamente el producto y fije correctamente la cinta elástica **8** (véanse los capítulos “Carga” y “Montaje”).
2. Lávese y séquese las manos a conciencia. Asegúrese de que no tengan restos de maquillaje ni suciedad.
3. Siéntese o acuéstese y coloque la mascarilla de manos **1** en la mano.
4. Ajuste la longitud de la cinta elástica en caso necesario para que la mascarilla de manos se sitúe cómodamente sobre la mano.
5. Presione el botón de control **2** para encender el producto.
Tras el encendido, el producto cambia por defecto al mono manual y se selecciona el programa M1 (rojo).
6. Si lo requiere, pulse varias veces el botón de modo **3** para cambiar entre el modo automático y el manual.
En función de la selección, se iluminará el indicador luminoso del modo manual **4** o el del modo automático **7**.
Encontrará información para utilizar el modo manual en el capítulo “Modo manual”.
Encontrará información para utilizar el modo automático en el capítulo “Modo automático”.
7. Tras la sesión, retire la mascarilla de manos y aplíquese suero o una crema de día o de noche en la mano.

7.2 Modo manual

- Tras el encendido, el producto cambia por defecto al mono manual y se selecciona el programa M1 (rojo).
- Si desea seleccionar otro programa (M2, M3 o M4), presione de 1 a 3 veces el botón de control **2** para elegirlo. El indicador luminoso de programa **5** correspondiente se ilumina y le indica su selección.

Aviso: Al pulsar el botón de control cuatro veces, el producto se apaga.

- En el modo manual, el indicador luminoso del modo manual **4** se enciende.
- Funciones de los programas:

Pro-grama	LED	Ideal para
M1	Rojo	Reduce líneas finas y arrugas, estimula el colágeno y mejora la circulación sanguínea
M2	Azul	Reduce las rojeces e impurezas ocasionadas por el acné y garantiza un rostro más claro
M3	Amarillo	Mejora la hidratación de la piel y calma las pieles secas y sensibles
M4	Violeta	Previene el envejecimiento de la piel y reduce las impurezas de la piel, mejora la vitalidad y la luminosidad de la piel

- La sesión dura 10 minutos. Transcurrido el tiempo de la sesión, el producto se apaga automáticamente.
- También puede mantener presionado el botón de control para apagar el producto en cualquier momento.

7.3 Modo automático

- En el modo automático, el indicador luminoso del modo automático **7** se enciende.
- En el modo de funcionamiento automático, el producto ejecuta los programas en el siguiente orden:
 M1 (rojo): 5 minutos
 M2 (azul): 3 minutos
 M3 (amarillo): 4 minutos
 M4 (violeta): 3 minutos
- La sesión completa dura 15 minutos. Transcurrido el tiempo de la sesión, el producto se apaga automáticamente.
- También puede mantener presionado el botón de control **2** para apagar el producto en cualquier momento.

8 Plan de aplicación

Durante los primeros usos del producto, siga este plan:

Primera semana	Utilizar una vez cada tres días durante un máx. de 10 minutos
Segunda semana	Utilizar una vez cada dos días durante un máx. de 10 minutos
Tercera semana	Utilizar una vez cada dos días durante un máx. de 10–15 minutos
Cuarta semana	Utilizar cada día durante un máx. de 10–15 minutos

En cuanto note los resultados, reduzca la frecuencia a una o dos veces por semana.

9 Limpieza

⚠ ¡ADVERTENCIA! ¡PELIGRO DE DESCARGA ELÉCTRICA!

- Desconecte siempre el producto del suministro eléctrico antes de limpiarlo.

¡AVISO! ¡PELIGRO DE DAÑOS!

- No utilice productos de limpieza agresivos, cepillos con cerdas de metal ni utensilios de limpieza afilados o metálicos como cuchillos, espátulas duras y similares.
- No utilice agua caliente para la limpieza.
- Limpie la mascarilla de manos **11** con un paño húmedo o una toallita con base de agua. A continuación, séquela bien con un paño.

10 Almacenamiento

Antes de guardarlo, todas las piezas deben estar totalmente secas.

- Almacene el producto en un lugar limpio y seco, lejos del calor y de la luz solar directa.
- Guarde el producto fuera del alcance de los niños.
- Conserve el producto en el embalaje original para garantizar su protección.

11 Búsqueda de fallos

Algunos problemas pueden estar causados por averías menores que puede resolver por sí mismo. Siga las instrucciones reflejadas en la tabla siguiente. Si no pudiera solucionar el problema, diríjase al servicio de atención al cliente. No repare el producto por sí mismo.

Avería	Posible causa y solución
El producto no funciona.	<ul style="list-style-type: none"> • Asegúrese de que el producto esté bien cargado. • Asegúrese de que el producto no esté conectado a una fuente de alimentación USB. El producto no funciona durante la carga.
El producto no se carga.	<ul style="list-style-type: none"> • Asegúrese de que el cable USB 9 esté conectado al puerto de carga 6 y a la fuente de alimentación USB.

12 Datos técnicos

Modelo:	HAC01
Potencia nominal de entrada:	5 V \equiv 1 A
Tensión de funcionamiento:	3,7 V
Capacidad de la batería:	1 500 mAh, 5,55 Wh (litio)
Número de luces LED:	108
Peso:	334 g
Dimensiones (largo × alto × ancho):	87 × 185 × 52 mm

13 Eliminación

13.1 Eliminación del embalaje



Elimine el embalaje por tipos. El cartón y las láminas han de llevarse a un punto de recogida de papel usado y material respectivamente.

13.2 Eliminación del producto

(Aplicable en la Unión Europea y en países europeos con sistemas de recogida separada de materiales)



¡Los equipos en desuso no se pueden tirar a la basura doméstica!

Cuando el producto no se utiliza más, **elimínelo conforme a las disposiciones vigentes en su país o región**. Así se

garantiza que los equipos en desuso se reutilicen adecuadamente y se evitan efectos negativos sobre el medio ambiente. Por este motivo los equipos eléctricos se señalan con este símbolo.

¡Las baterías y las pilas no se pueden tirar a la basura doméstica!



Como consumidor final, usted está legalmente obligado a entregar todas las pilas y baterías, independientemente de que contengan o no sustancias peligrosas*, en un punto de

recogida del municipio o del distrito municipal o en un distribuidor para que puedan eliminarse de forma respetuosa con el medioambiente.

¡Lleve el producto completo (incluida la batería) a su punto de recogida y asegúrese de que la batería está descargada!

*indicadas mediante: Cd = cadmio, Hg = mercurio, Pb = plomo

14 Garantía

Este producto está cubierto por una garantía de 2 años conforme a la normativa y legislación europea. La cobertura de la garantía de este producto queda limitada a los defectos técnicos provocados por fallos en los procesos de fabricación. En caso de que desee acogerse a la garantía, asegúrese de contactar con Atención al Cliente para recibir instrucciones. Es posible que puedan resolver su problema sin necesidad de devolver el producto al almacén o enviarlo a un centro de servicio. Nuestro departamento de Atención al Cliente estará encantado de ayudarle.

15 Atención al cliente

Para obtener más información sobre los productos de Silk'n, visite la página web regional de Silk'n: www.silkn.eu. Si el dispositivo está estropeado, es defectuoso, debe repararse o si necesita nuestra asistencia, por favor, contacte con el centro de servicio de Silk'n más próximo. Este manual también puede descargarlo en formato PDF en: www.silkn.eu.

Número de servicio: 900 823 302

Email: servicioalcliente@silkn.eu

Avvertenze legali

Invention Works B.V. si riserva il diritto di modificare i propri prodotti o le loro caratteristiche per migliorarne prestazioni, affidabilità o producibilità. Al momento della pubblicazione, le informazioni fornite da Invention Works B.V. sono da ritenersi accurate e affidabili. Tuttavia, Invention Works B.V. non assume alcuna responsabilità riguardo al loro utilizzo. Non viene concesso alcun diritto di licenza implicito né altro diritto desumibile in base a brevetti o diritti di brevetto di Invention Works B.V.

Senza esplicito permesso scritto di Invention Works B.V. non è consentita la riproduzione né la trasmissione, in qualsiasi forma o con qualsiasi mezzo, elettronico o meccanico, di parti di questo documento, per qualsiasi scopo. I dati sono soggetti a modifiche senza preavviso.

Relativamente all'oggetto del presente documento, Silk'n Beauty Ltd. detiene brevetti approvati e in via d'approvazione, marchi, copyright e ogni altro diritto di proprietà intellettuale. Al di fuori di quanto espressamente previsto da specifici accordi scritti con Silk'n Beauty Ltd. la distribuzione del presente documento non implica la concessione di alcuna licenza su detti brevetti, marchi, copyright o qualsiasi altro diritto di proprietà intellettuale. Le specifiche sono soggette a modifiche senza preavviso.

Silk'n e il logo Silk'n sono marchi di fabbrica registrati di Silk'n Beauty Ltd.

Invention Works B.V.
Galileistraat 17, 3029 AL Rotterdam, Paesi Bassi
www.silkn.eu - info@silkn.eu

Indice

1	Dotazione/parti dell'apparecchio	34
2	Informazioni generali	34
2.1	Leggere e conservare le istruzioni per l'uso	34
2.2	Spiegazione dei simboli	34
3	Sicurezza	34
3.1	Utilizzo conforme all'uso previsto	34
3.2	Avvertenze di sicurezza	34
4	Controllare il prodotto e la dotazione	35
5	Ricarica	36
6	Montaggio	36
7	Utilizzo	36
7.1	Esecuzione della sessione	36
7.2	Modalità manuale	36
7.3	Modalità automatica	37
8	Piano di applicazione	37
9	Pulizia	37
10	Conservazione	37
11	Ricerca anomalie	37
12	Dati tecnici	38
13	Smaltimento	38
13.1	Smaltire l'imballaggio	38
13.2	Smaltire il prodotto	38
14	Garanzia	38
15	Servizio di assistenza clienti	38

I Dotazione/parti dell'apparecchio

- 1 Maschera per le mani
- 2 Pulsante di accensione
- 3 Tasto modalità
- 4 Spia luminosa per la modalità manuale
- 5 Spia luminosa del programma, 4x
- 6 Porta di ricarica
- 7 Spia luminosa per la modalità automatica
- 8 Elastico
- 9 Cavo USB

2 Informazioni generali

2.1 Leggere e conservare le istruzioni per l'uso



Le presenti istruzioni per l'uso sono parte integrante di questa LED Hand Mask (maschera per le mani a LED) (di seguito denominata "prodotto"). Contengono informazioni importanti relative alla messa in funzione e all'utilizzo.

Leggere attentamente le istruzioni per l'uso prima di utilizzare il prodotto. Ciò vale in particolare per le avvertenze di sicurezza. Il mancato rispetto delle presenti istruzioni per l'uso può provocare lesioni personali o danni al prodotto. Le istruzioni per l'uso si basano sulle norme e direttive vigenti nell'Unione europea e nel Regno Unito. All'estero, rispettare anche le direttive e le normative nazionali. Conservare le istruzioni per l'uso per usi futuri. In caso di cessione del prodotto a terzi, consegnare assolutamente anche le istruzioni per l'uso.

2.2 Spiegazione dei simboli

Nelle istruzioni per l'uso, sul prodotto o sull'imballaggio sono riportati i seguenti simboli e le seguenti parole d'avvertimento.

⚠ AVVERTIMENTO!

Questo simbolo/parola d'avvertimento indica un pericolo a rischio medio che, se non evitato, può avere come conseguenza la morte o lesioni gravi.

AVVISO!

Questa parola d'avvertimento indica possibili danni materiali.



Questo simbolo fornisce informazioni aggiuntive utili per la manipolazione e l'uso.



Leggere le istruzioni per l'uso.



Dichiarazione di conformità: I prodotti etichettati con questo simbolo sono conformi a tutte le norme comunitarie applicabili nello Spazio economico europeo.



Dichiarazione di conformità: I prodotti etichettati con questo simbolo sono conformi a tutte le norme applicabili nel Regno Unito.



Questo simbolo indica la tensione nominale e la corrente nominale della corrente continua.



Gli apparecchi contrassegnati con questo simbolo sono adatti solo per l'uso domestico (in ambienti interni asciutti).



Questo simbolo indica la polarità del collegamento.

3 Sicurezza

3.1 Utilizzo conforme all'uso previsto

Il prodotto è concepito esclusivamente per ripristinare l'elasticità e la struttura della pelle. Inoltre, aiuta a ridurre le linee sottili, le rughe e altre imperfezioni della pelle. È destinato esclusivamente all'uso in ambito privato e non è idoneo per un uso in ambito commerciale.

Utilizzare il prodotto esclusivamente come descritto nelle presenti istruzioni per l'uso. Ogni altro utilizzo è da intendersi come non conforme allo scopo previsto e può provocare danni materiali o lesioni personali. Il produttore declina ogni responsabilità per eventuali danni o lesioni derivanti da un utilizzo scorretto o non conforme all'uso previsto.

3.2 Avvertenze di sicurezza

⚠ AVVERTIMENTO! PERICOLO DI SCOSSE ELETTRICHE!

- Utilizzare il prodotto esclusivamente con il cavo USB in dotazione.
- Collegare il cavo USB del prodotto esclusivamente ad un adattatore di alimentazione adatto (fonte di tensione SELV certificata secondo la norma IEC/EN 60335), collegato a sua volta a una presa facilmente accessibile in modo da poter scollegare rapidamente il prodotto dalla rete elettrica in caso di anomalia.
- Non mettere in funzione il prodotto se è danneggiato o se il cavo USB è difettoso.

- Non aprire il corpo dell'apparecchio, bensì far eseguire la riparazione da persone qualificate. Rivolgersi all'assistenza post-vendita. In caso di riparazioni eseguite in proprio, allacciamento non corretto o errato utilizzo, si escludono responsabilità e diritti di garanzia.
- Per le riparazioni utilizzare solo componenti che corrispondono alle specifiche originali dell'apparecchio. Questo prodotto contiene parti elettriche e meccaniche che sono essenziali per la protezione da fonti di pericolo.
- Non immergere il prodotto o il cavo USB in acqua o altri liquidi. Tenerli lontani dall'acqua.
- Spegnere sempre il prodotto in caso di inutilizzo, durante la pulizia o in caso di guasto. Scollegare sempre il cavo USB quando non si ricarica il prodotto.
- Non toccare mai il cavo USB con le mani bagnate o umide.
- Non introdurre oggetti nel corpo dell'apparecchio.
- Tenere tutti i componenti del prodotto lontano da fiamme libere e superfici roventi.
- Posare il cavo USB in modo tale che nessuno possa inciamparvi.
- Non estrarre il cavo USB dall'alimentatore tirando direttamente il cavo, bensì afferrare sempre lo spinotto.
- Non piegare il cavo USB e non farlo passare su spigoli vivi.
- Utilizzare il prodotto solo in ambienti interni.
- Non usare il prodotto mentre è in carica.

⚠ AVVERTIMENTO! PERICOLO DI LESIONI!

- L'uso del presente prodotto è consentito a persone con ridotte capacità fisiche, sensoriali e mentali o prive di esperienza e cognizioni, a condizione che siano sotto sorveglianza o che siano state istruite sul modo sicuro di usare il prodotto e abbiano compreso gli eventuali pericoli connessi all'uso. Non permettere ai bambini di giocare con il prodotto. La pulizia e la manutenzione di competenza dell'utilizzatore non devono essere eseguite da bambini.
- Tenere i bambini lontano dal prodotto e dal cavo USB.
- Il prodotto non deve essere utilizzato da donne in gravidanza, bambini, persone con epilessia, pazienti affetti da tiroide, persone che assumono farmaci per la tiroide, persone fotoallergiche

o che assumono farmaci per il trattamento di un'allergia alla luce.

- Il prodotto non deve essere utilizzato in caso di malattie della pelle, suppurazione di ferite, ferite accidentali e post-operatorie.
- Non usare il prodotto per più di 15 minuti a sessione.
- Consultare il medico se non si è sicuri di poter utilizzare il prodotto.
- In caso di malessere, reazioni anomale (ad esempio prurito o infiammazioni fastidiose) o se la pelle diventa troppo calda, interrompere immediatamente l'uso del prodotto.
- Dalla batteria può fuoriuscire del liquido in caso di uso improprio. Evitare il contatto con questo liquido. Il liquido che fuoriesce dalle batterie può causare irritazioni o ustioni.
- In caso di contatto del liquido della batteria con la pelle, gli occhi o le mucose, lavare e sciacquare immediatamente le zone interessate con acqua pulita. Consultare eventualmente un medico.
- Non aprire, non gettare nel fuoco e non cortocircuitare le batterie.

AVVISO! PERICOLO DI DANNEGGIAMENTO!

- Tenere il prodotto lontano da fiamme libere, superfici calde, temperature elevate o agenti atmosferici (ad es. pioggia).
- Non utilizzare più il prodotto se i suoi componenti in plastica presentano crepe, rotture o deformazioni. Sostituire le parti danneggiate soltanto con gli appropriati ricambi originali.

4 Controllare il prodotto e la dotazione

AVVISO! PERICOLO DI DANNEGGIAMENTO!

- Aprendo l'imballaggio con un coltello affilato o altri oggetti appuntiti senza prestare opportuna cautela, si rischia di danneggiare il prodotto. Aprire l'imballaggio con cautela.

1. Estrarre il prodotto dall'imballaggio.
2. Accertarsi che la dotazione sia completa (vedi **Fig. A**).
3. Controllare se il prodotto o i singoli pezzi sono danneggiati. In tale eventualità non utilizzare il prodotto. Rivolgersi invece al nostro servizio di assistenza clienti.

5 Ricarica

⚠ AVVERTIMENTO! PERICOLO DI LESIONI!

- Utilizzare soltanto il cavo USB in dotazione per ricaricare il prodotto.
- Ricaricare il prodotto soltanto a temperature comprese tra 0 e 40 °C.
- A ricarica avvenuta, scollegare sempre il prodotto dall'alimentazione elettrica.

- i**
- Caricare completamente il prodotto prima del primo utilizzo e quando la batteria ricaricabile è scarica.
 - Quando la batteria è scarica, le spie luminose sul prodotto lampeggiano 10 volte prima di spegnersi automaticamente. Ricaricare il prodotto.
 - Non utilizzare il prodotto durante il processo di ricarica.
 - Se il prodotto viene conservato per un periodo di tempo prolungato, è necessario controllare il livello della batteria e ricaricarlo regolarmente.

1. Inserire l'estremità più piccola del cavo USB **9** nella porta di ricarica **6** del prodotto.
2. Inserire l'estremità più grande del cavo USB nella porta USB di una fonte di alimentazione USB adatta (ad es. un alimentatore USB).
3. Per effettuare la ricarica, inserire l'alimentatore USB in una presa di corrente.
Il processo di ricarica inizia automaticamente. Controllare le spie luminose del programma **5** che rimangono accese durante la carica.
Una spia luminosa = prodotto caricato fino al 25 %
Due spie luminose = prodotto caricato fino al 50 %
Tre spie luminose = prodotto caricato fino al 75 %
Quattro spie luminose = prodotto caricato al 100 %
4. Scollegare l'alimentatore USB dalla presa di corrente e scollegare il cavo USB dalla porta di ricarica del prodotto.

6 Montaggio

1. Aprire le chiusure a strappo sull'elastico **8** e far passare l'elastico attraverso le aperture sui lati della maschera per le mani **1** (vedi il passaggio 1 nella **Fig. B**).
2. Chiudere le chiusure a strappo per fissare l'elastico sulla maschera per le mani (vedi il passaggio 2 nella **Fig. B**).

7 Utilizzo

⚠ AVVERTIMENTO! PERICOLO DI LESIONI!

- Non usare il prodotto per più di 15 minuti a sessione.

- i** Precauzioni per l'uso del prodotto (vedi **Fig. C**):
- Non riporre il prodotto piegato.
 - Non piegare il prodotto di oltre 90° durante l'uso.
 - Non posizionare oggetti pesanti sul prodotto.

7.1 Esecuzione della sessione

1. Ricaricare completamente il prodotto e applicare correttamente l'elastico **8** (vedi capitolo "Ricarica" e "Montaggio").
2. Pulire e asciugare accuratamente la mano. Assicurarsi che sia priva di trucco e impurità.
3. Sedersi o sdraiarsi e posizionare la maschera per le mani **1** sulla mano.
4. Se necessario, regolare la lunghezza dell'elastico in modo che la maschera per le mani si adatti comodamente alla mano.
5. Premere il pulsante di accensione **2** per accendere il prodotto.
Dopo l'accensione, il prodotto passa di serie alla modalità manuale e viene selezionato il programma M1 (rosso).
6. Se necessario, premere più volte il tasto modalità **3** per passare dalla modalità automatica a quella manuale.
A seconda della selezione, si accende la spia luminosa della modalità manuale **4** o quella della modalità automatica **7**.
Per informazioni sull'uso della modalità manuale, consultare il capitolo "Modalità manuale".
Per informazioni sull'uso della modalità automatica, consultare il capitolo "Modalità automatica".
7. Dopo la sessione, rimuovere la maschera per le mani e applicare un siero e/o una crema giorno/notte sulla mano.

7.2 Modalità manuale

- Dopo l'accensione, il prodotto passa di serie alla modalità manuale e viene selezionato il programma M1 (rosso).
- Se si desidera usare un programma diverso (M2, M3 o M4), premere il pulsante di accensione **2** 1-3 volte per selezionarlo. La spia luminosa del programma **5** corrispondente si accende e indica la selezione.

Avviso: premendo una quarta volta il pulsante di accensione il prodotto si spegne.

- In modalità manuale, si illumina la spia luminosa della modalità manuale **4**.
- Funzioni dei programmi:

Programma	LED	Ideale per
M1	Rosso	Riduce le linee sottili e le rughe, stimola il collagene e migliora la circolazione sanguigna
M2	Blu	Riduce gli arrossamenti e le imperfezioni dovute all'acne, donando una carnagione più chiara.
M3	Giallo	Migliora l'equilibrio di idratazione della pelle e lenisce la pelle secca e sensibile
M4	Viola	Previene l'invecchiamento cutaneo e riduce le macchie, migliora la vitalità e la luminosità della pelle

- La sessione dura 10 minuti. Al termine della sessione, il prodotto si spegne automaticamente.
- È inoltre possibile tenere premuto il pulsante di accensione per spegnere il prodotto in qualsiasi momento.

7.3 Modalità automatica

- La spia luminosa della modalità automatica **7** si illumina quando il prodotto è in modalità automatica.
- In modalità automatica, il prodotto esegue i programmi nel seguente ordine:
M1 (rosso): 5 minuti
M2 (blu): 3 minuti
M3 (giallo): 4 minuti
M4 (viola): 3 minuti
- La sessione dura 15 minuti in totale. Al termine della sessione, il prodotto si spegne automaticamente.
- È inoltre possibile tenere premuto il pulsante di accensione **2** per spegnere il prodotto in qualsiasi momento.

8 Piano di applicazione

Seguire il seguente programma quando si utilizza il prodotto per la prima volta:

Prima settimana	Usare una volta ogni 3 giorni per max. 10 minuti alla volta
Seconda settimana	Usare una volta ogni 2 giorni per max. 10 minuti alla volta
Terza settimana	Usare una volta ogni 2 giorni per max. 10–15 minuti alla volta
Quarta settimana	Usare ogni giorno max. 10–15 minuti alla volta

Una volta visti i risultati, regolare la frequenza a una o due volte alla settimana.

9 Pulizia

⚠ AVVERTIMENTO! PERICOLO DI SCOSSE ELETTRICHE!

- Scollegare sempre il prodotto dalla sorgente di alimentazione prima di eseguire la pulizia.

AVVISO! PERICOLO DI DANNEGGIAMENTO!

- Non usare detergenti abrasivi, spazzole con setole metalliche e utensili taglienti in metallo per la pulizia, come coltelli, spazzole dure e simili.
- Non utilizzare acqua calda per la pulizia.
- Pulire la maschera per le mani **1** con un panno umido o un panno per la pulizia a base d'acqua. Poi asciugarla con un panno asciutto.

10 Conservazione

Prima di riporre il prodotto tutti i componenti devono essere completamente asciutti.

- Riporre il prodotto in un luogo pulito, asciutto, al riparo dal calore e dalla luce solare diretta.
- Conservare il prodotto in modo che sia inaccessibile ai bambini.
- Conservare il prodotto nella confezione originale per proteggerlo al meglio.

11 Ricerca anomalie

Alcuni problemi possono essere causati da difetti minori che è possibile eliminare da soli. Seguire le indicazioni elencate nella tabella sottostante. Se il problema non può essere risolto, si prega di contattare l'assistenza post-vendita. Non riparare autonomamente il prodotto.

Malfunzionamento	Possibile causa e rimedio
Il prodotto non funziona.	<ul style="list-style-type: none"> • Assicurarsi che il prodotto sia stato ricaricato correttamente. • Assicurarsi che il prodotto non sia collegato a una fonte di alimentazione USB. Il prodotto non funziona durante la ricarica.
Il prodotto non si ricarica.	<ul style="list-style-type: none"> • Assicurarsi che il cavo USB 9 sia collegato correttamente tra la porta di ricarica 6 e la fonte di alimentazione USB.

12 Dati tecnici

Modello:	HAC01
Potenza nominale in ingresso:	5 V === 1 A
Tensione di esercizio:	3,7 V
Capacità della batteria ricaricabile:	1.500 mAh, 5,55 Wh (litio)
Numero di spie LED:	108
Peso:	334 g
Dimensioni (L × H × P):	387 × 185 × 52 mm

13 Smaltimento

13.1 Smaltire l'imballaggio



Smaltire l'imballaggio differenziandolo. Conferire il cartone alla carta da riciclo e pellicole nella plastica da riciclo.

13.2 Smaltire il prodotto

(Applicabile nell'Unione europea e in altri Paesi europei con sistemi di raccolta differenziata)



Gli apparecchi dismessi non devono essere smaltiti insieme ai rifiuti domestici!

Qualora il prodotto non possa più essere utilizzato, **smaltirlo conformemente alle disposizioni vigenti nel proprio Paese o nella propria regione.** In tal modo, si garantisce che gli apparecchi dismessi vengono correttamente riciclati e si evitano ripercussioni negative sull'ambiente. Per questo motivo gli apparecchi elettrici sono contrassegnati dal simbolo qui riprodotto.

Le batterie e le batterie ricaricabili non devono essere smaltite insieme ai rifiuti domestici!



Il consumatore è obbligato per legge a consegnare tutte le batterie o batterie ricaricabili, indipendentemente dal fatto che contengano o meno sostanze dannose*, presso un centro di raccolta del proprio comune/quartiere o presso un negozio, in modo che possano essere smaltite in maniera ecosostenibile.

Portare il prodotto completo (compresa la batteria) al punto di raccolta e assicurarsi che la batteria sia scarica!

*contrassegnate da: Cd = cadmio, Hg = mercurio, Pb = piombo

14 Garanzia

Questo prodotto è coperto da una garanzia di 2 anni secondo le normative e le leggi europee. L'estensione di garanzia su questo prodotto è limitata ai difetti tecnici causati da processi di produzione difettosi. Nel caso in cui volesse avvalersi della garanzia, La invitiamo a contattare il nostro Servizio di assistenza clienti per le istruzioni del caso. Il personale addetto potrebbe essere in grado di risolvere il problema senza necessità di restituire il prodotto al negozio o di inviarlo al centro di assistenza. Il nostro Servizio di assistenza clienti sarà sempre lieto di aiutarla!

15 Servizio di assistenza clienti

Per maggiori informazioni sui prodotti Silk'n, visitare il sito Silk'n: www.silkn.eu. Se il dispositivo è danneggiato, difettoso, deve essere riparato, oppure se Lei ha bisogno della nostra assistenza, La invitiamo a contattare il centro assistenza clienti Silk'n più vicino. È possibile anche scaricare questo manuale in formato PDF dal sito www.silkn.eu.

Numero del servizio: +31 (0) 180-330550

E-mail: servizioclientiit@silkn.eu

Telif Hakkı 2023 © Silkn Beauty Ltd. Tüm hakları saklıdır.

Yasal uyarı

Invention Works B.V. performansı, işletme güvenilirliği veya üretilebilirliğini iyileştirmek için ürün veya spesifikasyonlarında değişiklik yapma hakkını saklı tutar. Invention Works B.V. tarafından verilen bilgiler, yayın sırasında doğru ve güvenilir olarak kabul edilir. Invention Works B.V. bunların kullanılması konusunda sorumlu tutulamaz. Invention Works B.V. zimni veya bir patent altında veya patent hakkı kapsamında bir lisans vermemektedir.

Bu belgenin hiçbir kısmı, Invention Works B.V.'nin açık yazılı izni olmaksızın herhangi bir amaçla elektronik veya mekanik herhangi bir biçimde veya herhangi bir yöntemle çoğaltılamaz veya aktarılamaz. Verileri önceden haber vermeksizin değiştirme hakkı saklıdır.

Silkn Beauty Ltd. bu belgenin konusu olan patentleri ve bekleyen patent başvurularını, ticari markalarını, telif haklarını veya diğer fikri mülkiyet haklarını elinde bulundurmaktadır. Silkn Beauty Ltd. tarafından yazılı bir sözleşme ile aksi kesin belirlenmemişse bu belgenin verilmesi, size patentler, ticari markalar, telif hakları veya diğer fikri mülkiyet hakları için herhangi bir lisans vermez. Teknik bilgileri önceden haber vermeksizin değiştirme hakkı saklıdır.

Silk'n ve Silk'n logosu Silkn Beauty Ltd. şirketi adına kayıtlı ticari markalardır.

Invention Works B.V.
Galileistraat 17, 3029 AL Rotterdam, Hollanda
www.silkn.eu – info@silkn.eu

İçindekiler

1	Teslimat kapsamı/Cihaz parçaları	40
2	Genel	40
2.1	Kullanım kılavuzunun okunması ve saklanması	40
2.2	Sembol açıklamaları	40
3	Güvenlik	40
3.1	Amaca uygun kullanım	40
3.2	Güvenlik uyarıları	40
4	Ürünün ve teslimat kapsamının kontrolü	41
5	Şarj etme	41
6	Kurulum	42
7	Kullanım	42
7.1	İşlemi uygulamak	42
7.2	Manuel mod	42
7.3	Otomatik mod	42
8	Uygulama planı	43
9	Temizleme	43
10	Saklama	43
11	Hata arama	43
12	Teknik bilgiler	43
13	İmha	43
13.1	Ambalajın imhası	43
13.2	Ürünün imhası	43
14	Garanti bilgileri	44
15	Müşteri Hizmetleri	44

I Teslimat kapsamı/Cihaz parçaları

- 1 El maskesi
- 2 Kumanda tuşu
- 3 Mod tuşu
- 4 Manuel mod için kontrol lambası
- 5 Program kontrol lambası, 4x
- 6 Şarj bağlantısı
- 7 Otomatik mod için kontrol lambası
- 8 Lastik bant
- 9 USB kablosu

2 Genel

2.1 Kullanım kılavuzunun okunması ve saklanması



Bu kullanım kılavuzu bu LED Hand Mask (LED El Maskesi) (bundan böyle "ürün" olarak adlandırılır) ürününe aittir. Kılavuz, çalışma ve kullanım ile ilgili önemli

bilgiler içermektedir.

Ürünü kullanmadan önce kullanım kılavuzunu dikkatli bir şekilde okuyun. Bu özellikle güvenlik uyarıları için geçerlidir. Bu kullanma kılavuzuna uyulmadığı takdirde yaralanmalar veya üründe hasarlar meydana gelebilir. Kullanım kılavuzunun temeli, Avrupa Birliği ve Birleşik Krallık içerisinde geçerli norm ve kurallara dayanmaktadır. Yurt dışında, ülkeye özgü yönerge ve kuralları da dikkate alın. Kullanım kılavuzunu daha sonra başvurmak için saklayın. Ürünü üçüncü şahıslara verdiğinizde, işbu kullanım kılavuzunu da mutlaka ürünle birlikte teslim edin.

2.2 Sembol açıklamaları

Bu kullanma kılavuzunda, ürünün veya ambalajın üstünde aşağıdaki semboller ve uyarı sözcükleri kullanılmaktadır.

⚠ UYARI!

Bu uyarı sembolü/sözcüğü, orta risk derecesinde bir tehlikeyi tanımlar; kaçınılmadığı takdirde ölüm veya ağır yaralanmaya yol açabilir.

UYARI!

Bu uyarı sözcüğü, maddi hasar olasılığına dikkati çeker.



Bu uyarı sembolü size kullanma ve çalışma hakkında yararlı ek bilgiler sunar.



Kullanım kılavuzunu okuyun.



Uygunluk Beyanı: Bu sembolle işaretlenmiş olan ürünler, Avrupa Birliği'nde uygulanan tüm ortak yönetmeliklere uygundur.



Uygunluk Beyanı: Bu sembolle işaretlenmiş olan ürünler, Birleşik Krallık'ta uygulanan tüm yönetmeliklere uygundur.



Bu sembol, doğru akım için nominal gerilimi ve nominal akımı belirtir.



Bu sembolü taşıyan cihazlar yalnız ev içi kullanıma uygundur (kuru iç mekanlarda).



Bu sembol, şarj bağlantısındaki akımın kutuplarını belirtmektedir.

3 Güvenlik

3.1 Amaca uygun kullanım

Ürün cildinizin elastikiyetini ve doğal yapısını geri kazandırmak için özel olarak tasarlanmıştır. Bunun yanı sıra ince çizgilerin, kırışıklıkların ve diğer cilt kusurlarının azaltılmasına yardımcı olur. Sadece özel kullanım için tasarlanmış olup, ticari alanda kullanıma uygun değildir.

Ürünü sadece bu kullanma kılavuzunda belirtildiği şekilde kullanın. Bunun dışındaki her kullanım amaca aykırı kullanım sayılır ve can veya mal kaybına yol açabilir. Üretici firma, amaca uygun olmayan kullanım veya yanlış kullanımdan dolayı meydana gelen hasarlar ve yaralanmalar için sorumluluk kabul etmez.

3.2 Güvenlik uyarıları

⚠ UYARI! ELEKTRİK ÇARPMA TEHLİKESİ!

- Ürünü sadece birlikte teslim edilen USB kablosuyla kullanın.
- Ürünün USB kablosunu yalnızca arıza halinde hızlıca elektrikten çekebileceğiniz, kolayca erişilebilen bir prize takılı olan uygun bir adaptöre (IEC/EN 60335 onaylı SELV güç kaynağı) takın.
- Ürün hasar almışsa ya da USB kablosu arızalıysa ürünü çalıştırmayın.
- Gövdeyi açmayın, onarımı uzmanına bırakın. Bunun için teknik servise başvurun. Servis dışında yaptırılan onarımlarda yanlış bağlantı veya hatalı kullanma durumunda, sorumluluk ve garanti hakkı ortadan kalkar.
- Onarımlarda sadece orijinal cihaz verilerine uygun parçalar kullanılabilir. Bu üründe tehlike

kaynaklarından korunma bağlamında temel öneme sahip elektrik ve mekanik aksam bulunmaktadır.

- Ürünü ya da USB kablosunu suya veya başka sıvılara daldırmayın. Sudan uzak tutun.
- Kullanmadığınız zaman, temizlerken veya bir arıza ortaya çıktığında ürünü daima kapatın. Ürünü şarj etmediğiniz zaman, USB kablosunu daima çıkarın.
- USB kablosuna asla ıslak ya da nemli ellerle dokunmayın.
- Cihazın içine hiçbir cisim sokmayın.
- Ürünün tüm parçalarını açık alevlerden ve sıcak yüzeylerden uzak tutun.
- USB kablosunu takılıp düşmelere sebep olmayacak şekilde yerleştirin.
- Adaptörden çekerken USB kablosunu kablodan değil, kablonun fişinden tutarak çekin.
- USB kablosunu kıvrımayın ve keskin kenarlar üzerine yerleştirmeyin.
- Ürünü sadece iç mekanlarda kullanın.
- Ürünü şarj ettiğiniz sırada kullanmayın.

⚠ UYARI! YARALANMA TEHLİKESİ!

- Bu ürün, gözlemlenmeleri veya ürünün güvenli kullanımı konusunda eğitilmiş olmaları ve kullanıma bağlı tehlikeleri anlamış olmaları halinde fiziksel, duyuşsal veya ruşsal yetenekleri sınırlı kişiler veya deneyim ve bilgi yetersizliğı olan kişiler tarafından kullanılabilir. Çocuklar ürünle oynamamalıdır. Temizlik ve kullanıcı bakımı, çocuklar tarafından yapılmamalıdır.
- Çocukları üründen ve USB kablosundan uzak tutun.
- Ürün hamile kadınlar, çocuklar, epilepsi hastaları, tiroid hastaları, tiroid ilaçları kullananlar, fotoalerjik kişiler veya ışık alerjisini tedavi edici ilaçlar kullanan kişiler tarafından kullanılmalıdır.
- Ürün cilt hastalıkları, ülserasyon, kaza ve ameliyat kaynaklı yaralar için kullanılmamalıdır.
- Ürünü bir defada 15 dakikadan uzun süre kullanmayın.
- Ürünü kullanıp kullanamayacağınızdan emin değilseniz doktorunuza danışın.
- Rahatsız hissederseniz, herhangi bir anormal reaksiyonunuz olursa (örn. kaşıntı veya rahatsız edici iltihaplar) veya cildiniz rahatsız edici derecede ısınır, hemen ürünü kullanmayı bırakın.
- Uygun olmayan kullanımlarda pildeki sıvı sızabilir. Bu sıvıyla temastan kaçının. Pillerden sızan sıvı tahriş ve kimyasal yanıklara sebep olabilir.

- Pillerden sızan sıvının deri, göz ya da mukozayla teması halinde temas eden bölgeyi derhal temiz suyla yıkayın ve temizleyin. Gerekirse bir doktora başvurun.
- Piller sökülmemeli, kısa devre yapılmamalı ya da ateşe atılmamalıdır.

UYARI! HASAR TEHLİKESİ!

- Ürünü açık ateşten, sıcak yüzeylerden, yüksek sıcaklıklardan veya hava koşullarının etkilerinden (örn. yağmur) uzak tutun.
- Plastik parçaları kırılmış, çatlamış veya deforme olmuşsa, ürünü artık kullanmayın. Hasarlı parçaları yalnızca uygun orijinal yedek parçalarla değiştirin.

4 Ürünün ve teslimat kapsamının kontrolü

UYARI! HASAR TEHLİKESİ!

- Ambalajı keskin bir bıçakla ya da herhangi bir başka sivri cisimle dikkatsizce açmanız halinde, ürün kolaylıkla zarar görebilir. Açma esnasında çok dikkatli davranın.

1. Ürünü ambalajından çıkartın.
2. Teslimatın tam olup olmadığını doğrulayın (bkz. **şek. A**).
3. Ürünün veya münferit parçaların hasarlı olup olmadığını kontrol edin. Hasar varsa, ürünü kullanmayın. Bunun için teknik servisimize başvurun.

5 Şarj etme

⚠ UYARI! YARALANMA TEHLİKESİ!

- Şarj etmek için sadece birlikte gönderilen USB kablosunu kullanın.
- Ürünü yalnızca 0 ila 40 °C arası sıcaklıklarda şarj edin.
- Şarj işlemi tamamlandıktan sonra ürünü mutlaka güç kaynağından ayırın.



- Ürünü ilk kullanımdan önce ve düşük pil seviyesi halinde şarj edin.
- Batarya gücü azaldığında ürün üzerindeki kontrol lambaları önce 10 kez yanıp söner, sonra otomatik olarak söner. Ürünü şarj edin.
- Ürün şarj sırasında kullanılamaz.
- Ürün uzun süre boyunca saklanırsa, batarya seviyesi kontrol edilmeli ve ürün düzenli olarak şarj edilmelidir.

1. USB kablosunun **9** küçük ucunu ürünün şarj bağlantısına **6** takın.
2. USB kablosunun büyük ucunu uygun bir USB güç kaynağının (örn. USB adaptörü) USB bağlantı noktasına takın.
3. Şarj için USB adaptörünü bir prize takın. Şarj otomatik olarak başlayacaktır. Şarj işlemi sırasında yanmaya devam eden program kontrol lambalarını **5** kontrol edin. Bir kontrol lambası = % 25'e kadar şarj edilmiş İki kontrol lambası = % 50'ye kadar şarj edilmiş Üç kontrol lambası = % 75'e kadar şarj edilmiş Dört kontrol lambası = tamamen şarj edilmiş
4. Şarj işlemi tamamlandığında, USB adaptörünü prizden çıkarın ve USB kablosunu ürünün şarj bağlantısından ayırın.

6 Kurulum

1. Lastik bandın **8** üzerindeki cırt cırtlara açın ve lastik bandı el maskesinin **1** yanlarındaki deliklerden geçirin (bkz. **şek. B**'deki 1. adım).
2. Lastik bandı el maskesine takmak için cırt cırtlara kapatın (bkz. **şek. B**'deki 2. adım).

7 Kullanım

⚠ UYARI! YARALANMA TEHLİKESİ!

- Ürünü bir defada 15 dakikadan uzun süre kullanmayın.



Ürünün kullanımıyla ilgili güvenlik önlemleri (bkz. **şek. C**):

- Ürünü katlayarak koymayın.
- Kullanım esnasında ürünü 90°'den fazla katlamayın.
- Ürünün üstüne ağır nesnelere koymayın.

7.1 İşlemi uygulamak

1. Ürünü tamamen şarj edin ve lastik bandı **8** düzgün şekilde takın (bkz. Bölüm "Şarj etme" ve "Kurulum").
2. Ellerinizi düzgünce yıkayın ve kurulayın. Elinizin makyaj ve kirden arınmış olduğundan emin olun.
3. Oturun veya uzanın ve el maskesini **1** elinize yerleştirin.
4. El maskesinin elinize rahatça oturması için gerekirse lastik bandın uzunluğunu ayarlayın.
5. Ürünü çalıştırmak için kumanda tuşuna **2** basın. Ürün açıldıktan sonra varsayılan olarak manuel moda geçer ve M1 programı (kırmızı) seçilir.
6. Otomatik ve manuel mod arasında geçiş yapmak için gerekirse mod tuşuna **3** birkaç kez basın.

Seçiminize göre, manuel mod **4** veya otomatik mod **7** için kontrol ışığı yanar.

Manuel modun kullanımı hakkında bilgi için "Manuel Mod" bölümüne bakın.

Otomatik modun kullanımı hakkında bilgi için "Otomatik Mod" bölümüne bakın.

7. İşlemden sonra el maskesini çıkarın ve elinize bir serum ve/veya gündüz/gece kremi uygulayın.

7.2 Manuel mod

- Ürün açıldıktan sonra varsayılan olarak manuel moda geçer ve M1 programı (kırmızı) seçilir.
- Başka bir işlem kullanmak istiyorsanız (M2, M3 veya M4), seçim yapmak için 1–3 kez kumanda tuşuna **2** basın. İlgili program kontrol lambası **5** yanar ve seçiminizi gösterir.

Not: Kumanda tuşuna dördüncü kez bastığınızda ürün kapanır.

- Manuel modda, manuel mod için olan kontrol lambası **4** yanar.
- Programların işlevleri:

Program	LED	En uygun olduğu alanlar
M1	Kırmızı	İnce çizgileri ve kırışıklıkları azaltır, kolajeni tetikler ve kan dolaşımını iyileştirir
M2	Mavi	Akneye bağlı kızarıklık ve lekeleri azaltır, daha aydınlık bir cilt sağlar
M3	Sarı	Cildin nem dengesini iyileştirir, kuru ve hassas cildi yatıştırır
M4	Lila	Cildin yaşlanmasını önler ve ciltteki kiri azaltır, cildin canlılığını ve parlaklığını artırır

- İşlem 10 dakika sürer. İşlem süresi sona erdikten sonra ürün otomatik olarak kapanır.
- Ayrıca ürünü istediğiniz zaman kapatmak için kumanda tuşunu basılı tutabilirsiniz.

7.3 Otomatik mod

- Otomatik modda, otomatik mod için olan kontrol lambası **7** yanar.
- Ürün otomatik modda programları aşağıdaki sıraya göre uygular:
M1 (kırmızı): 5 dakika
M2 (mavi): 3 dakika
M3 (sarı): 4 dakika
M4 (lila): 3 dakika
- İşlemin tamamı 15 dakika sürer. İşlem süresi sona erdikten sonra ürün otomatik olarak kapanır.
- Ayrıca ürünü istediğiniz zaman kapatmak için kumanda tuşunu **2** basılı tutabilirsiniz.

8 Uygulama planı

Ürünü ilk kez kullanırken aşağıdaki zaman planını izleyin:

İlk hafta	3 günde bir, her seferinde maks. 10 dakika süreyle kullanın
İkinci hafta	2 günde bir, her seferinde maks. 10 dakika süreyle kullanın
Üçüncü hafta	2 günde bir, her seferinde maks. 10–15 dakika süreyle kullanın
Dördüncü hafta	Her gün, her seferinde maks. 10–15 dakika süreyle kullanın

Sonuçlar görülmeye başladığında, sıklığı haftada bir veya iki kez olacak şekilde ayarlayın.

9 Temizleme

⚠ UYARI! ELEKTRİK ÇARPMA TEHLİKESİ!

- Ürünü temizlemeden önce her zaman güç kaynağından ayırın.

UYARI! HASAR TEHLİKESİ!

- Agresif temizlik maddeleri, metal kılı fırçalar ya da bıçak, sert spatula ve benzeri keskin veya metalik temizlik aletleri kullanmayın.
- Temizlik için sıcak su kullanmayın.
- El maskesini **I** nemli bir bezle veya su bazlı bir temizlik beziyle silin. Daha sonra kuru bir bezle iyice kurulayın.

10 Saklama

Saklanmadan önce, tüm parçalar tamamen kuru olmalıdır.

- Ürünü sıcaktan ve doğrudan güneş ışığından koruyun, temiz ve kuru bir yerde saklayın.
- Ürünü çocukların erişemeyeceği şekilde muhafaza edin.
- En iyi koruma için ürünü orijinal ambalajında muhafaza edin.

11 Hata arama

Sizin de düzeltebileceğiniz küçük arızalar bazı sorunlara neden olabilir. Aşağıdaki tablodaki talimatlara uyun. Bunlarla sorun giderilemez ise, teknik servise başvurun. Ürünü asla bizzat onarmayın.

Arıza	Olası nedeni ve giderilmesi
Ürün çalışmıyor.	<ul style="list-style-type: none">• Ürünün gerektiği gibi şarj edildiğinden emin olun.• Ürünün bir USB güç kaynağına bağlı olmadığından emin olun. Ürün şarj olurken çalışmaz.

Arıza	Olası nedeni ve giderilmesi
Ürün şarj olmuyor.	<ul style="list-style-type: none">• USB kablusunun 9 şarj bağlantı 6 noktasıyla USB güç kaynağı arasında doğru şekilde bağlandığından emin olun.

12 Teknik bilgiler

Model:	HAC01
Nominal giriş gücü:	5 V === 1 A
Çalışma gerilimi:	3,7 V
Batarya kapasitesi:	1 500 mAh, 5,55 Wh (Lityum)
LED lamba sayısı:	108
Ağırlık:	334 g
Boyutlar (U × Y × G):	387 × 185 × 52 mm

13 İmha

13.1 Ambalajın imhası



Ambalajı türüne göre imha edin. Mukavva ve kartonu atık kağıt konteynerine, folyoları ise geri dönüştürülebilir atık konteynerine atın.

13.2 Ürünün imhası

(Geri dönüştürülebilir malzemelerin ayrı bir şekilde toplandığı sistemlerin bulunduğu Avrupa Birliği ve diğer Avrupa ülkelerinde geçerlidir)



Eski cihazlar evsel atıklar ile birlikte imha edilemez!

Ürün artık bir daha kullanılmayacaksa, **ürünü kendi eyaletinizde yada ülkenizde geçerli kurallara göre imha edin.**

Böylece, eski cihazların kurallara uygun biçimde değerlendirilmesi ve çevreye olumsuz etkilerinin önlenmesi sağlanmış olur. Bu nedenden dolayı, elektrikli cihazlar burada gösterilen sembollerle işaretlenmiştir.

Bataryalar ve piller evsel atıklarla birlikte imha edilemez!



Son kullanıcı olarak, tehlikeli maddeler* içersin ya da içermesin, tüm batarya ve pilleri çevre dostu bir şekilde imha veya bertaraf edilebilmeleri için belediyenin/ilçenin toplama

merkezine teslim etmekten yasal olarak sorumlusunuz.

Bataryalar dahil eksiksiz ürünü toplama merkezimize götürün ve bataryaların boşaltıldığından emin olun!

*şöyle belirtilir: Cd = Kadmium, Hg = Cıva, Pb = Kurşun

14 Garanti bilgileri

Avrupa düzenlemeleri ve yasaları kapsamında bu ürün 2 yıllık bir garantiye sahiptir. Bu ürünün garanti kapsamı, üretim hatalarından kaynaklanan teknik kusurlar ile sınırlıdır. Garanti hakkınız çerçevesinde, teknik servisimizin talimatlarından faydalanın. Belki sorunu, ürünü mağazaya veya teknik servis merkezine geri göndermek zorunda kalmadan çözebilirsiniz. Müşteri Hizmetleri ekibimiz size her zaman yardıma hazırdır!

15 Müşteri Hizmetleri

Silk'n ürünleri hakkında daha fazla bilgi için yerel Silk'n web sitesini ziyaret edin: www.silkn.eu. Cihaz hasar görmüş veya arızalıysa, onarım gerektiriyorsa veya yardımımıza ihtiyacınız varsa, en yakın Silk'n Teknik Servis Merkezi ile iletişime geçin. Bu kullanım kılavuzunu PDF olarak www.silkn.eu adresinden indirebilirsiniz.

Servis numarası: +31 (0) 180-330550

E-posta: info@silkn.eu

Aviso legal

A Invention Works B.V. reserva-se o direito de fazer mudanças em seus produtos ou especificações, para melhorar o desempenho, a confiabilidade ou a fabricabilidade. As informações fornecidas pela Invention Works B.V. são consideradas corretas e confiáveis no momento da publicação. A Invention Works B.V. não assume qualquer responsabilidade pelo seu uso. Pela Invention Works B.V. não é concedida uma licença de forma implícita nem patenteada ou sob direitos de patente.

Nenhuma parte deste documento deve ser reproduzida ou transmitida de qualquer forma ou por qualquer meio, eletrônico ou mecânico, para qualquer finalidade sem a permissão expressa por escrito da Invention Works B.V. São reservadas alterações aos dados sem aviso prévio.

A Silk'n Beauty Ltd. possui patentes, assim como pedidos de patentes pendentes, marcas registadas, direitos autorais ou outros direitos de propriedade intelectual que são objeto deste documento. A disponibilização deste documento não lhe dá nenhuma licença para esses patentes, marcas registadas, direitos autorais ou outros direitos de propriedade intelectual, exceto se estiver regulamentado conforme expressamente previsto em um acordo por escrito da Silk'n Beauty Ltd. Sujeito a alterações dos dados técnicos sem aviso prévio.

Silk'n e o logotipo Silk'n são marcas registadas da Silk'n Beauty Ltd.

Invention Works B.V.
Galileïstraat 17, 3029 AL Rotterdam, Os Países-Baixos
www.silkn.eu – info@silkn.eu

Índice

1	Volume de fornecimento/peças do aparelho	46
2	Informações gerais	46
2.1	Ler e guardar o manual de instruções	46
2.2	Explicação dos símbolos	46
3	Segurança	46
3.1	Uso previsto	46
3.2	Indicações de segurança	46
4	Verificar o produto e o volume de fornecimento	47
5	Carregar	48
6	Montagem	48
7	Operação	48
7.1	Efetuar uma sessão	48
7.2	Modo manual	48
7.3	Modo automático	49
8	Plano de aplicação	49
9	Limpeza	49
10	Armazenamento	49
11	Resolução de problemas	49
12	Dados Técnicos	50
13	Eliminação	50
13.1	Eliminação da embalagem	50
13.2	Descarte do produto	50
14	Informações sobre a garantia	50
15	Serviço de assistência ao cliente	50

I Volume de fornecimento/peças do aparelho

- 1 Massajador
- 2 Tecla de comando
- 3 Botão Modo
- 4 Luz de controlo para modo manual
- 5 Luz de controlo do programa, 4x
- 6 Entrada de carga
- 7 Luz de controlo para modo automático
- 8 Fita elástica
- 9 Cabo USB

2 Informações gerais

2.1 Ler e guardar o manual de instruções



Este manual de instruções faz parte deste LED Hand Mask (Massajador Facial LED) (a seguir denominado "produto"). O manual de instruções contém informações

importantes para a colocação em funcionamento e a utilização.

Leia atentamente o manual de instruções antes de usar o produto. Isto aplica-se, em particular, às indicações de segurança. O não-cumprimento deste manual de instruções pode resultar em ferimentos pessoais ou danos ao produto. O manual de instruções é baseado nas normas e regulamentos em vigor na União Europeia e no Reino Unido. Devem ser observadas as diretivas e leis específicas de cada país no exterior. Guarde o manual de instruções para uso posterior. Se o produto for entregue a terceiros, certifique-se de incluir este manual de instruções.

2.2 Explicação dos símbolos

Os seguintes símbolos e termos de sinalização são usados neste manual de instruções, no produto ou na embalagem.

⚠ ATENÇÃO!

Este símbolo/termo de sinalização indica um perigo com um nível médio de risco que, se não for evitado, pode resultar em morte ou ferimentos graves.

AVISO!

Este termo de sinalização indica possíveis danos materiais.



Esta palavra-sinal fornece informações adicionais úteis sobre o manuseamento e a utilização.



Leia o manual de instruções.



Declaração de Conformidade: Produtos marcados com este símbolo cumprem com todas as normas comunitárias aplicáveis do Espaço Económico Europeu.



Declaração de Conformidade: Os produtos marcados com este símbolo cumprem todas as normas aplicáveis no Reino Unido.



Este símbolo identifica a tensão estipulada e a corrente estipulada para a corrente contínua.



Este símbolo identifica aparelhos que são adequados exclusivamente para ambiente doméstico (em espaços interiores secos).



Este símbolo indica a polaridade da entrada de carga.

3 Segurança

3.1 Uso previsto

O produto foi concebido exclusivamente para restaurar a elasticidade e a estrutura da sua pele. Para além disso, ajuda a reduzir as linhas e rugas finas e outras imperfeições da pele. É destinado exclusivamente para o uso privado e não é apropriado para uso comercial.

Utilize o produto apenas da forma descrita neste manual de instruções. Qualquer outro uso é considerado impróprio e pode resultar em danos à propriedade ou danos pessoais. O fabricante não assume qualquer responsabilidade por danos ou ferimentos causados por uso incorreto ou impróprio.

3.2 Indicações de segurança

⚠ ATENÇÃO! PERIGO DE CHOQUE ELÉTRICO!

- Utilize o produto apenas em conjunto com o cabo USB fornecido.
- Ligue o cabo USB do produto apenas a uma unidade de alimentação adequada (uma fonte de alimentação MBTS certificada segundo a IEC/EN 60335), que por sua vez é ligada a uma tomada de fácil acesso, para que possa ser desligado rapidamente da rede elétrica em caso de falha.
- Se forem detetados danos no produto ou defeito no cabo USB, não coloque o produto em funcionamento.

- Não abra a carcaça: os trabalhos de reparação são da exclusiva responsabilidade de especialistas. Para tal, entre em contacto com o serviço de assistência ao cliente. Reparos realizados por conta própria, conexões incorretas ou uso incorreto anulam o direito a reclamações de responsabilidade e de garantia.
- Para as reparações só devem ser utilizadas peças que correspondam aos dados originais do aparelho. Este produto contém peças elétricas e mecânicas essenciais para a proteção contra fontes de perigo.
- Não mergulhe o produto ou o cabo USB em água ou outros líquidos. Mantenha-os longe da água.
- Desligue sempre o produto quando não estiver em uso, ao limpá-lo ou em caso de falha de funcionamento. Sempre que o produto não estiver a carregar, retire o cabo USB da tomada.
- Nunca toque no cabo USB com as mãos húmidas ou molhadas.
- Não insira objetos na carcaça.
- Manter todas as partes do produto longe de chamas abertas e de superfícies quentes.
- Ao instalar o cabo USB, certifique-se de que este não se encontra numa posição/local em que se possa tropeçar nele.
- Nunca puxe o cabo USB pelo cabo, para o retirar da tomada da alimentação elétrica. Deve, em vez disso, puxar sempre pela ficha do cabo.
- Não dobre o cabo USB e não o coloque sobre bordas afiadas.
- Usar o produto apenas em espaços interiores.
- Não utilize o produto enquanto este estiver a carregar.
- O produto não deve ser utilizado por mulheres grávidas, crianças, pessoas com epilepsia, pessoas com patologias da tiroide que tomem medicamentos para patologias da tiroide, pessoas que sofram de reações fotoalérgicas ou pessoas que tomem medicamentos para a fotossensibilidade.
- O produto não pode ser utilizado em caso de doenças da pele, úlceras, ferimentos resultantes de acidente e pós-operatórios.
- Não utilize o produto durante mais de 15 minutos por sessão.
- Consulte o seu médico caso não tenha certeza de se pode utilizar o produto.
- Deixe de utilizar o produto de imediato caso sinta mal-estar, se experienciar reações anormais (p. ex., prurido ou inflamações incómodas) ou se a sua pele aquecer excessivamente causando desconforto.
- Em caso de utilização indevida, o líquido pode escapar das pilhas – evite o contacto. O líquido vazado das pilhas pode causar irritações ou queimaduras.
- Em caso de contacto da pele, olhos ou mucosas com o líquido das pilhas, lavar e enxaguar as áreas afetadas imediatamente com água limpa. Se necessário, consulte um médico.
- Não desmontar, curto-circuitar ou incinerar as pilhas.

⚠ AVISO! PERIGO DE LESÃO!

- Este produto pode ser utilizado por pessoas com capacidades físicas, sensoriais ou mentais reduzidas ou com insuficiente experiência ou conhecimentos, na condição de que estas sejam vigiadas durante a utilização do produto ou recebam instruções sobre a utilização segura do mesmo, e se estiverem conscientes dos perigos associados à referida utilização. As crianças não podem brincar com o produto. A limpeza e a manutenção pelo utilizador não devem ser realizadas por crianças.
- Manter as crianças afastadas do produto e do cabo USB.

AVISO! PERIGO DE DANOS!

- Mantenha o produto afastado de chamas abertas, superfícies quentes, temperaturas altas e protegido dos efeitos dos agentes atmosféricos (p. ex., da chuva).
- Pare de utilizar produto, se as peças de plástico estiverem rachadas, quebradas ou deformadas. Só substitua as peças danificadas por peças de substituição originais apropriadas.

4 Verificar o produto e o volume de fornecimento

AVISO! PERIGO DE DANOS!

- Se a embalagem for aberta, descuidadamente, com uma faca afiada ou com outros objetos pontiagudos, o produto poderá ser facilmente danificado. Tenha muito cuidado ao abrir.

1. Retirar o produto da embalagem.
2. Verifique se o volume de fornecimento está completo (ver **fig. A**).

3. Verificar se o produto ou os componentes estão danificados. Se for esse o caso, o produto não deve ser usado. Entre em contacto com nosso serviço de assistência ao cliente.

5 Carregar

⚠ AVISO! PERIGO DE LESÃO!

- Para o carregamento, utilize apenas o cabo USB fornecido.
- Carregue o produto apenas a temperaturas entre 0 e 40 °C.
- Uma vez terminado o processo de carga, retire sempre o produto da tomada de alimentação.

- i**
- Carregue completamente o produto antes da primeira utilização do produto e se o nível de carga da bateria for baixo.
 - Se o nível de carga da bateria for baixo, as luzes de controlo no produto piscam 10 vezes antes de se apagarem automaticamente. Carregue o produto.
 - Enquanto a bateria estiver a carregar, o produto não pode ser utilizado.
 - Se o produto for armazenado durante um período mais longo, é necessário verificar o nível de carga da bateria e recarregar o produto regularmente.

1. Insira a extremidade menor do cabo USB **9** na entrada de carga **6** da bateria do produto.
2. Ligue a extremidade maior do cabo USB à entrada USB de uma fonte de alimentação USB adequada (p. ex., unidade de alimentação USB).
3. Para carregar a unidade de alimentação USB, ligue-a a uma tomada.
O processo de carga inicia automaticamente. Verifique as luzes de controlo do programa **5**, que se mantêm acesas durante o processo de carga.
Uma luz de controlo = carga de 25 %
Duas luzes de controlo = carga de 50 %
Três luzes de controlo = carga de 75 %
Quatro luzes de controlo = carga completa
4. Se o processo de carga tiver terminado, retire a unidade de alimentação USB da tomada e retire o cabo USB da entrada de carga do produto.

6 Montagem

1. Abra os fechos de velcro na fita elástica **8** e enfie a fita elástica nas aberturas laterais do massajador **1** (ver passo 1 na **fig. B**).
2. Feche os fechos de velcro para fixar a fita elástica no massajador (ver passo 2 na **fig. B**).

7 Operação

⚠ ATENÇÃO! PERIGO DE LESÃO!

- Não utilize o produto durante mais de 15 minutos por sessão.
- i** Medidas preventivas para utilização do produto (ver **fig. C**):
- Não pouse o produto dobrado.
 - Não dobre o produto mais de 90° durante a utilização.
 - Não coloque objetos pesados em cima do produto.

7.1 Efetuar uma sessão

1. Carregue o produto na totalidade e coloque a fita elástica **8** da forma correta (ver capítulo “Carregar” e “Montagem”).
2. Limpe e seque bem a mão. Certifique-se de que não tem qualquer maquilhagem ou sujidade na mão.
3. Sente-se ou deite-se e coloque o massajador **1** na mão.
4. Se necessário, ajuste o comprimento da fita elástica para que o massajador assente bem na sua mão.
5. Prima a tecla de comando **2**, para ligar o produto. Por defeito, depois de ligar o produto, este alterna para o modo manual e fica selecionado o programa M1 (vermelho).
6. Se necessário, prima o botão Modo **3** várias vezes para alternar entre o modo automático e o modo manual.
Consoante a sua seleção, irá acender-se a luz de controlo para modo manual **4** ou a luz de controlo para modo automático **7**.
Pode consultar informações sobre a utilização do modo manual no capítulo “Modo manual”.
Pode consultar informações sobre a utilização do modo automático no capítulo “Modo automático”.
7. Após a sessão, retire o massajador e aplique um sérum e/ou um creme de dia/noite na mão.

7.2 Modo manual

- Por defeito, depois de ligar o produto, este alterna para o modo manual e fica selecionado o programa M1 (vermelho).
- Se pretender utilizar outro programa (M2, M3 ou M4), prima 1 a 3 vezes a tecla de comando **2** para o selecionar. A luz de controlo correspondente ao programa **5** acende-se para indicar a sua seleção.

- Indicação:** Se premir a tecla de comando uma quarta vez, o produto é desligado.
- No modo manual, acende-se a luz de controlo para o modo manual **4**.

- Funções dos programas:

Programa	LED	Recomendado para
M1	Vermelho	Reduz as linhas e rugas finas, estimula o colagénio e melhora a circulação sanguínea
M2	Azul	Reduz a vermelhidão e as impurezas resultantes do acne, tornando a textura da pele mais clara
M3	Amarelo	Melhora o equilíbrio de hidratação da pele e acalma a pele seca e sensível
M4	Lilás	Previne o envelhecimento da pele e reduz as impurezas da pele, melhora a vitalidade e o brilho da pele

- A sessão dura 10 minutos. Após este tempo, o produto desliga-se automaticamente.
- Também pode manter premida a tecla de comando para desligar o produto a qualquer momento.

7.3 Modo automático

- No modo automático, acende-se a luz de controlo para modo automático **7**.
- No modo automático, o produto executa os programas pela seguinte ordem:
M1 (vermelho): 5 minutos
M2 (azul): 3 minutos
M3 (amarelo): 4 minutos
M4 (lilás): 3 minutos
- A sessão completa dura 15 minutos. Após este tempo, o produto desliga-se automaticamente.
- Também pode manter premida a tecla de comando **2**, para desligar o produto a qualquer momento.

8 Plano de aplicação

Aquando da primeira utilização do produto, cumpra o seguinte plano:

Primeira semana	Utilizar uma vez a cada 3 dias, durante máx. 10 minutos
Segunda semana	Utilizar uma vez a cada 2 dias, durante máx. 10 minutos
Terceira semana	Utilizar uma vez a cada 2 dias, durante máx. 10–15 minutos
Quarta semana	Utilizar todos os dias, durante máx. 10–15 minutos

Assim que notar resultados, adapte a frequência de utilização para uma ou duas vezes por semana.

9 Limpeza

⚠ ATENÇÃO! PERIGO DE CHOQUE ELÉTRICO!

- Antes de limpar, desligue sempre o produto da fonte de alimentação.

AVISO! PERIGO DE DANOS!

- Não use produtos de limpeza agressivos, escovas com cerdas metálicas ou utensílios de limpeza afiados ou metálicos, tais como facas, espátulas duras e similares.
- Não use água quente para limpar.
- Limpe o massajador **1** com um pano húmido ou um pano de limpeza à base de água. Em seguida, seque-o com um pano seco.

10 Armazenamento

Todas as peças devem estar completamente secas antes do armazenamento.

- Armazenar o produto num local limpo e seco, protegido do calor e da luz solar direta.
- Armazenar o produto de forma que seja inacessível para crianças.
- Conserve o produto na embalagem original, de forma a garantir a melhor proteção possível.

11 Resolução de problemas

Alguns problemas podem ser causados por pequenos erros que se pode consertar pessoalmente. Siga as instruções na tabela a seguir. Se isso não resolver o problema, entre em contacto com o serviço de assistência ao cliente. Não repare o produto pessoalmente.

Falha	Possível causa e solução
O produto não funciona.	<ul style="list-style-type: none"> • Certifique-se de que o produto está corretamente carregado. • Assegure-se de que o produto não está ligado a uma fonte de alimentação USB. O produto não funciona durante o processo de carregamento.
Não é possível carregar o produto.	<ul style="list-style-type: none"> • Certifique-se de que o cabo USB 9 está ligado com segurança à entrada de carga 6 e à fonte de alimentação USB.

12 Dados Técnicos

Modelo:	HAC01
Potência nominal consumida:	5 V === 1 A
Tensão de funcionamento:	3,7 V
Autonomia da bateria:	1 500 mAh, 5,55 Wh (lítio)
Número de luzes LED:	108
Peso:	334 g
Dimensões (C × A × L):	387 × 185 × 52 mm

13 Eliminação

13.1 Eliminação da embalagem



Elimine, separadamente, os componentes da embalagem. Cartão e papelão devem ser entregues ao centro de recolha de papel usado, filmes devem ser enviados ao centro de recolha de materiais recicláveis.

13.2 Descarte do produto

(Aplicável na União Europeia e em outros estados europeus com sistemas de recolha seletiva de materiais recicláveis)



Os aparelhos velhos não devem ser descartados com o lixo doméstico!

Se o produto não puder mais ser usado, **descarte-o de acordo com os regulamentos vigentes em seu estado ou país.**

Isso garante que os aparelhos velhos sejam devidamente reciclados e que sejam evitados efeitos negativos sobre o ambiente. Portanto, equipamentos elétricos e eletrônicos são marcados com o símbolo mostrado aqui.

As baterias e pilhas usadas não devem ser descartadas no lixo doméstico!



Na qualidade de consumidor final, tem a obrigação legal de entregar todas as pilhas e pilhas recarregáveis – independentemente de estas conterem ou não substâncias

perigosas* – num ponto de recolha local/municipal ou junto de um representante comercial/revendedor, para assegurar que estas são eliminadas de modo ambientalmente correto.

Entregue o produto completo (incluindo a bateria) no ponto de recolha da sua zona e certifique-se de que a bateria está descarregada!

*marcado com: Cd = Cádmio, Hg = Mercúrio, Pb = Chumbo

14 Informações sobre a garantia

De acordo com as diretivas e leis europeias, este produto dispõe de uma garantia limitada a 2 anos. O escopo da garantia deste produto está limitado a defeitos técnicos causados por processos de produção defeituosos. Se quiser reivindicar a garantia, certifique-se de obter instruções do nosso serviço de assistência ao cliente. É possível que o seu problema possa ser resolvido sem que tenha que devolver o produto à loja ou ao nosso centro de serviço de assistência. Nosso serviço de assistência ao cliente sempre terá prazer em ajudar!

15 Serviço de assistência ao cliente

Para mais informações sobre os produtos Silk'n, visite o site local da Silk'n em: www.silkn.eu. Se o aparelho estiver danificado ou com defeito, precisar de reparo ou de nossa assistência, entre em contacto com o centro de assistência Silk'n mais próximo. Também poderá baixar este manual do utilizador em www.silkn.eu como PDF.

Número de serviço: +31 (0) 180-330550

Email: info@silkn.eu

Juridisk oplysning

Invention Works B.V. forbeholder sig retten til at foretage ændringer på sine produkter eller specifikationer med henblik på at forbedre ydeevnen, driftssikkerheden eller mulighederne for fremstilling. Informationer, som Invention Works B.V. stiller til rådighed, betragtes på tidspunktet for offentliggørelsen som korrekte og pålidelige. Invention Works B.V. hæfter dog ikke for deres anvendelse. En licens gives hverken stiltiende eller under et patent eller patentrettigheder af Invention Works B.V.

Ingen dele af dette dokument må på nogen som helt form eller ved hjælp af elektroniske eller mekaniske midler reproduceres eller overføres til et hvilket som helst formål uden en udtrykkelig skriftlig tilladelse fra Invention Works B.V. Ændringer af data uden varsel forbeholdes.

Silkn Beauty Ltd. råder over patenter samt tilhørende patentansøgninger, varemærker, ophavsrettigheder og øvrige immaterielle rettigheder, som er genstand af dette dokument. At stille dette dokument til rådighed giver dig ingen former for licens til disse patenter, varemærker, ophavsrettigheder og øvrige immaterielle rettigheder, hvis dette ikke er blevet reguleret udtrykkeligt i en skriftlig aftale af Silkn Beauty Ltd. Ændring af tekniske data uden varsel forbeholdes.

Silk'n og Silk'n-logoet er registrerede varemærker af Silkn Beauty Ltd.

Invention Works B.V.
Galileïstraat 17, 3029 AL Rotterdam, Nederlandene
www.silkn.eu – info@silkn.e

Innholdsfortegnelse

1	Leveringsomfang/apparatdele	52
2	Generelt	52
2.1	Læs og opbevar brugsanvisningen	52
2.2	Symbolforklaring	52
3	Sikkerhed	52
3.1	Forskriftsmæssig brug	52
3.2	Sikkerhedsoplysninger	52
4	Kontroller produkt og indhold	53
5	Opladning	53
6	Montering	54
7	Betjening	54
7.1	Gennemfør programmet	54
7.2	Manuel funktion	54
7.3	Automatisk funktion	55
8	Anvendelsesplan	55
9	Rengøring	55
10	Opbevaring	55
11	Fejlsøgning	55
12	Tekniske data	55
13	Bortskaffelse	55
13.1	Bortskaf emballage	55
13.2	Bortskaf produkt	55
14	Garantiinformationer	56
15	Kundeservice	56

I Leveringsomfang/apparatdele

- 1 Håndmaske
- 2 Betjeningsstast
- 3 Funktionstast
- 4 Kontrollampe for manuel funktion
- 5 Program-indikatorlys, 4×
- 6 Opladertilslutning
- 7 Kontrollampe for automatisk funktion
- 8 Elastik
- 9 USB-kabel

2 Generelt

2.1 Læs og opbevar brugsanvisningen



Denne brugsanvisning hører til denne LED Hand Mask (LED-håndmaske) (i det følgende kaldet "produkt").

Den indeholder vigtige oplysninger

til ibrugtagningen og til brugen.

Læs brugsanvisningen grundigt igennem, inden du anvender produktet. Det gælder især for sikkerhedsoplysningerne. Til sidesættelse af denne brugsanvisning kan føre til kvæstelser eller skader på produktet. Brugsanvisningen er baseret på de normer og regler, som er gældende i EU og i Storbritannien. I udlandet skal du også være opmærksom på landespecifikke retningslinjer og bestemmelser. Opbevar brugsanvisningen til senere brug. Hvis du videregiver produktet til tredjemand, skal denne brugsanvisning også leveres med.

2.2 Symbolforklaring

Følgende symboler og signalord anvendes i denne brugsanvisning, på produktet eller på emballagen.

ADVARSEL!

Dette signalsymbol/-ord betegner en fare med en middel risikograd, som, hvis den ikke forebygges, kan medføre død eller en alvorlig kvæstelse.

BEMÆRK!

Dette signalord advarer mod mulige, materielle skader.



Dette signalsymbol giver dig praktiske ekstra-informationer om håndteringen og brugen.



Læs brugsanvisningen.



Overensstemmelseserklæring: Produkter, der er markeret med dette symbol, opfylder alle fælles regler fra det Europæiske Økonomiske Samarbejdsområde, der skal anvendes.



Overensstemmelseserklæring: Produkter, der er markeret med dette symbol, opfylder alle Storbritanniens gældende regler og lovgivninger.



Dette symbol markerer målingsspændingen og målingsstrømmen for jævnstrøm.



Apparater, der er markeret med dette symbol, er kun egnet til brug i hjemmet (i tørre indendørsrum).



Dette symbol angiver opladertilslutningens polaritet.

3 Sikkerhed

3.1 Forskriftsmæssig brug

Produktet er udelukkende konstrueret til at genoprette din huds elasticitet og struktur. Desuden hjælper det til at reducere fine linjer, rynker og andre ufuldkommenheder i huden. Det er udelukkende beregnet til privat brug og ikke egnet til erhvervsmæssig anvendelse.

Produktet må kun anvendes som beskrevet i denne brugsanvisning. Enhver anden anvendelse gælder som ukorrekt og kan føre til materielle eller endda personsikkerhedsskader. Producenten hæfter ikke for kvæstelser, som er opstået på baggrund af ukorrekt brug.

3.2 Sikkerhedsoplysninger

ADVARSEL! FARE FOR ELEKTRISKE STØD!

- Brug kun produktet med det medfølgende USB-kabel.
- Tilslut kun produktets USB-kabel til en egnet strømforsyning (en SELV-strømforsyning, der er certificeret iht. IEC/EN 60335), som igen er tilsluttet til en lettilgængelig stikkontakt, så du i tilfælde af en forstyrrelse hurtigt kan koble det fra elnettet.
- Tag ikke produktet i brug, hvis det er beskadiget, eller hvis USB-kablet er defekt.
- Åbn ikke kabinettet, men overlad reparationen til fagfolk. Henvend dig i den forbindelse til kundeservice. Ved selvstændigt udførte reparationer, ukorrekt tilslutning eller forkert betjening bortfalder hæftelses- og garantikrav.

- Ved reparationer må der kun anvendes dele, der svarer til apparatets oprindelige data. I dette produkt findes der elektriske og metalliske dele, der er nødvendige til beskyttelse mod farekilder.
- Produktet eller USB-kablet må ikke nedsænkes i vand eller andre væsker. Hold produktet væk fra vand.
- Sluk altid for produktet, når du ikke bruger det, når det rengøres, eller hvis der er opstået en fejl. Frakobl altid USB-kablet, når du ikke oplader produktet.
- Rør aldrig ved USB-kablet med våde eller fugtige hænder.
- Stik ikke nogen genstande ind i kabinettet.
- Hold alle produktets dele væk fra åben ild og varme overflader.
- Udlæg USB-kablet således, at du ikke kan falde over det.
- Træk ikke USB-kablet ud af strømforsyningen ved at trække i kablet, tag derimod altid fat om kablets stik.
- USB-kablet må ikke bøjes sammen og placeres over skarpe kanter.
- Anvend kun produktet indendørs.
- Brug ikke produktet under opladningen.

⚠ ADVARSEL! FARE FOR KVÆSTELSER!

- Dette produkt kan bruges af personer med begrænsede fysiske, sensoriske eller mentale evner eller af personer med mangel på erfaring og viden, hvis de er under opsyn eller er blevet instrueret i den sikre brug af produktet, og hvis de har forstået de dermed forbundne farer. Børn må ikke lege med produktet. Rengøring og brugerservice må ikke foretages af børn.
- Hold børn væk fra produktet og USB-kablet.
- Produktet må ikke bruges af gravide, børn, personer med epilepsi, skjoldbruskkirtelpatienter, personer, der bruger skjoldbruskmedicin, personer med fotoallergi eller personer, der bruger medicin til behandling mod lysallergi.
- Produktet må ikke bruges ved hudsygdomme, væskende sår eller sår fra ulykker eller operationer.
- Brug ikke produktet i mere end 15 minutter pr. anvendelse.
- Kontakt din læge, hvis du ikke er sikker på, om du kan bruge produktet.

- Hvis du føler dig utilpas, hvis du har unormale reaktioner (f.eks. kløe eller ubehagelige betændelser), eller hvis din hud bliver ubehageligt varm, stop straks med at anvende produktet.
- Ved forkert brug kan der sive væske ud af batteriet – undgå kontakt med den. Væske, der siver ud af batterier, kan medføre irritationer eller ætsninger.
- Hvis hud, øjne eller slimhinder kommer i kontakt med batterivæske, så vask og skyl straks de berørte steder med rent vand. Kontakt eventuelt en læge.
- Batterier må ikke skilles ad, kortsluttes eller smides ind i åben ild.

BEMÆRK! FARE FOR BESKADIGELSER!

- Hold produktet væk fra åben ild, varme overflader, høje temperaturer og påvirkning fra vejret (fx regn).
- Anvend ikke længere produktet, hvis plastdele er revnet, brudt eller deforme. Erstat beskadigede dele kun med tilsvarende originale reservedele.

4 Kontroller produkt og indhold

BEMÆRK! FARE FOR BESKADIGELSER!

- Hvis emballagen åbnes uforsigtigt med en skarp kniv eller andre spidse genstande, kan produktet hurtigt beskadiges. Vær meget forsigtig ved åbning.
1. Tag produktet ud af emballagen.
 2. Kontrollér, om leverancen er komplet (se **ill. A**).
 3. Kontroller, om produktet eller enkeltdele er beskadigede. Hvis dette er tilfældet, må du ikke anvende produktet. Henvend dig til vores kundeservice.

5 Opladning

⚠ ADVARSEL! FARE FOR KVÆSTELSER!

- Brug kun det medfølgende USB-kabel for at oplade produktet.
- Oplad produktet ved temperaturer mellem 0 og 40 °C.
- Frakobl altid produktet fra strømforsyningen, når opladningen er afsluttet.



- Oplad produktet fuldstændigt før første ibrugtagning og ved svagt batteri.
- Ved svag batteriydelse blinker kontrollamperne på produktet 10 gange, inden de slukker automatisk. Oplad produktet.
- Produktet kan ikke bruges under opladningen.
- Hvis produktet ikke bruges i længere tid, bør du kontrollere batteriniveauet og regelmæssigt oplade produktet.

1. Stik den mindre ende af USB-kablet **9** i produktets opladertilslutning **6**.
2. Stik USB-kablets større ende i en egnet strømkildes USB-stik (f.eks. USB-strømforsyning).
3. Stik USB-strømforsyningen i en stikkontakt for at oplade produktet.
Opladningen starter automatisk. Programindikatorlysene **5** viser dig oplader-tilstanden:
En kontrollampe = opladet 25 %
To kontrollamper = opladet 50 %
Tre kontrollamper = opladet 75 %
Fire kontrollamper = komplet opladet
4. Når opladningen er afsluttet, træk USB-strømforsyningen ud af stikkontakten, og træk USB-kablet ud af produktets opladertilslutning.

6 Montering

1. Åbn velkrolukningerne ved elastikken **8**, og før elastikken gennem åbningerne på siden af håndmasken **1** (se trin 1 i **ill. B**).
2. Luk velkrolukningerne for at fastgøre elastikken på håndmasken (se trin 2 i **ill. B**).

7 Betjening

⚠ ADVARSEL! FARE FOR KVÆSTELSER!

- Brug ikke produktet i mere end 15 minutter pr. anvendelse.



Sikkerhedsforanstaltninger for brug af produktet (se **ill. C**):

- Fold ikke produktet, når du lægger det fra dig.
- Fold ikke produktet mere end 90°, mens det er i brug.
- Læg ikke tunge genstande på produktet.

7.1 Gennemfør programmet

1. Oplad produktet helt, og monter elastikken korrekt **8** (se kapitlerne "Opladning" og "Montering").

2. Rens og tør din hånd grundigt. Sørg for, at den er fri for makeup og smuds.
3. Sæt dig eller læg dig ned, og læg håndmasken **1** på din hånd.
4. Tilpas ved behov elastikkens længde, så håndmasken ligger behageligt på din hånd.
5. Tryk på betjeningstasten **2** for at tænde for produktet.
Efter at være blevet tændt skifter produktet som standard til manuel funktion, og M1-programmet (rød) vælges.
6. Tryk ved behov flere gange på funktionstasten **3** for at skifte mellem automatisk og manuel funktion.
Afhængigt af dit valg lyser kontrollampen for manuel funktion **4** eller kontrollampen for automatisk funktion **7**.
Oplysninger om brug af den manuelle funktion finder du i kapitlet "Manuel funktion".
Oplysninger om brug af den automatiske funktion finder du i kapitlet "Automatisk funktion".
7. Tag håndmasken af efter behandlingen, og påfør et serum og/eller en dag-/natcreme på din hånd.

7.2 Manuel funktion

- Efter at være blevet tændt skifter produktet som standard til manuel funktion, og M1-programmet (rød) vælges.
 - Hvis du ønsker et andet program (M2, M3 eller M4), skal du trykke 1–3 gange på betjeningstasten **2** for at vælge den. Det tilsvarende programindikatorlys **5** lyser og viser dit valg.
- Bemærk:** Hvis du trykker betjeningstasten en fjerde gang, slukker produktet.
- I manuel funktion lyser kontrollampen for manuel funktion **4**.
 - Programmernes funktion:

Program	LED	Bedst egnet til
M1	Rød	Reducerer fine linjer og rynker, stimulerer dannelsen af kollagen og forbedrer blodcirkulationen
M2	Blå	Reducerer røde pletter og urenheder, der er forårsaget af akne, og giver en mere klar hud.
M3	Gul	Forbedrer hudens fugtighed, og beroliger tør og følsom hud.
M4	Lilla	Forebygger hudaldring og reducerer urenheden, forbedrer hudens vitalitet og udstråling.

- Programmet varer 10 minutter. Når programmet slutter, slukker produktet automatisk.
- Du kan også til enhver tid holde betjeningstasten nede for at slukke for produktet.

7.3 Automatisk funktion

- I automatisk funktion lyser kontrollampen for automatisk funktion **7**.
- I automatisk tilstand gennemfører produktet programmerne i følgende rækkefølge:
 - M1 (rød): 5 minutter
 - M2 (blå): 3 minutter
 - M3 (gul): 4 minutter
 - M4 (lilla): 3 minutter
- Hele programmet varer i 15 minutter. Når programmet slutter, slukker produktet automatisk.
- Du kan også til enhver tid holde betjeningstasten **2** nede for at slukke for produktet.

8 Anvendelsesplan

Overhold ved første brug af produktet følgende tidsplan:

Første uge	Brug produktet én gang hver tredje dag i maks. 10 minutter
Anden uge	Brug produktet én gang hver anden dag i maks. 10 minutter
Tredje uge	Brug produktet én gang hver anden dag i maks. 10–15 minutter
Fjerde uge	Brug produktet hver dag i maks. 10–15 minutter

Så snart du kan se resultater, tilpas hyppigheden til én til to gange om ugen.

9 Rengøring

⚠ ADVARSEL! FARE FOR ELEKTRISKE STØD!

- Adskil altid produktet fra strømforsyningen inden rengøringen.

BEMÆRK! FARE FOR BESKADIGELSER!

- Anvend ingen aggressive rengøringsmidler, børster med metalbørster samt skarpe eller metalliske rengøringsgenstande som knive, hårde spatler eller lignende.
- Brug ikke varmt vand til rengøringen.
- Tør håndmasken **1** af med en fugtig klud eller en vandbaseret rensklud. Tør den af med en tør klud.

10 Opbevaring

- Inden opbevaringen skal alle dele være helt tørre.
- Opbevar produktet på et rent og tørt sted, som beskytter mod varme temperaturer og direkte sollys.
 - Opbevar produktet på en sådan måde, at det er utilgængeligt for børn.
 - Opbevar produktet i den originale emballage for at beskytte det bedst muligt.

11 Fejlsøgning

Nogle problemer bliver muligvis forårsaget af mindre fejl, som du selv kan udbedre. Følg dertil anvisningerne i følgende tabel. Hvis problemet ikke kan udbedres på den måde, så kontakt kundeservice. Reparer ikke produktet selv.

Fejl	Mulig årsag og løsning
Produktet virker ikke.	<ul style="list-style-type: none">• Kontroller, om produktet er opladet korrekt.• Sørg for, at produktet ikke er tilsluttet en USB-strømkilde. Produktet kan ikke bruges under opladningen.
Produktet kan ikke oplades.	<ul style="list-style-type: none">• Sørg for at sikre, at USB-kablet 9 er forbundet sikkert med opladertilslutningen 6 og USB-strømkilden.

12 Tekniske data

Model:	HAC01
Nominal effekt:	5 V === 1 A
Driftsspænding:	3,7 V
Batterikapacitet:	1 500 mAh, 5,55 Wh (litium)
Antal LED-lamper:	108
Vægt:	334 g
Mål (L × H × B):	387 × 185 × 52 mm

13 Bortskaffelse

13.1 Bortskaf emballage



Emballagen bortskaffes sorteret efter materiale. Aflever pap og karton samt folier i de respektive opsamlingscontainere.

13.2 Bortskaf produkt

(Gældende i EU og andre europæiske lande med systemer til særskilt indsamling af genbrugsmaterialer)



Gamle apparater må ikke bortskaffes via dagrenovationen!

Hvis dit produkt ikke længere kan bruges, skal du bortskaffe det iht. de regler, der gælder i dit land. Dermed sikres det, at kasseret udstyr genanvendes fagligt korrekt, og at forurening af miljøet undgås. Derfor er el-udstyr mærket med det her viste symbol.

Batterier og akkumulatorer må ikke bortskaffes via dagrenovationen!



Som slutbruger er du lovmæssigt forpligtet til at bortskaffe samtlige batterier og akkumulatorer – uanset, om de indeholder farlige stoffer*, eller ej – på et dertil egnet kommunalt eller andet offentligt indsamlingssted, eller til aflevering hos en forhandler, således at affaldet bortskaffes miljøbevidst.

Bring det fuldstændige produkt (herunder batteriet) til dit indsamlingssted, og sørg for, at batteriet er afladet!

*kendetegnet med: Cd = cadmium, Hg = kviksølv, Pb = bly

14 Garantiinformationer

Dette produkt dækkes af en 2-års garanti iht. de europæiske regler og love. Omfanget af garantien på dette produkt er begrænset til tekniske mangler, som er blevet forårsaget af forkerte produktionsprocesser. Ved garantikrav skal du sørge for at indhente anvisninger hos vores kundeservice. Kundeservice kan måske løse dit problem uden at produktet skal sendes tilbage til butikken eller til vores servicecenter. Vores kundeservice hjælper dig altid gerne!

15 Kundeservice

Yderligere informationer om produkterne fra Silk'n finder du på din regionale Silk'n-webside på: www.silkn.eu. Hvis apparatet er beskadiget eller defekt, hvis det har brug for en reparation, eller hvis du har brug for vores hjælp, så kontakt det nærmeste Silk'n-servicecenter. Du kan også downloade denne brugerhåndbog på www.silkn.eu som PDF.

Servicenummer: +31 (0)180-330550

E-mail: info@silkn.eu

Juridiske merknader

Invention Works B.V. forbeholder seg retten til å foreta endringer på sine produkter eller spesifikasjoner til forbedring av ytelse, driftssikkerhet eller produksjon. Opplysninger som er stilt til rådighet av Invention Works B.V. anses som korrekte og pålitelige ved tidspunktet for offentliggjørelsen. Invention Works B.V. påtar seg imidlertid intet ansvar for bruken av dem. Det gis ingen lisens, verken stilltiende eller under et patent eller under Invention Works B.V.s patentrettigheter.

NO

Det er ikke tillatt å reprodusere eller overføre noen del av dette dokumentet i noen som helst form eller med elektroniske eller mekaniske midler for noe som helst formål uten uttrykkelig skriftlig samtykke fra Invention Works B.V. Med forbehold om endringer av data uten forvarsel.

Silkn Beauty Ltd. eier patenter samt tilhørende patentanmeldelser, varemerker, opphavsretter og andre immaterielle rettigheter som er gjenstand for dette dokumentet. Dette dokumentet gir deg ingen lisens for disse patentene, varemerkene, opphavsrettene eller andre immaterielle rettigheter, så fremt dette ikke er uttrykkelig regulert i en skriftlig avtale med Silkn Beauty Ltd. Med forbehold om tekniske endringer uten forvarsel.

Silk'n og Silk'n-logoen er registrerte varemerker fra Silkn Beauty Ltd.

Invention Works B.V.
Galileïstraat 17, 3029 AL Rotterdam, Nederland
www.silkn.eu – info@silkn.eu

Innholdsfortegnelse

1	Leveringsomfang/apparatets deler	58
2	Generelt	58
2.1	Les og ta vare på bruksanvisningen	58
2.2	Symbolforklaring	58
3	Sikkerhet	58
3.1	Riktig bruk	58
3.2	Sikkerhetsanvisninger	58
4	Kontrollere produktet og leveringsomfanget	59
5	Lading	59
6	Montering	60
7	Betjening	60
7.1	Gjennomføre en økt	60
7.2	Manuell modus	60
7.3	Automatisk modus	61
8	Bruksplan	61
9	Rengjøring	61
10	Oppbevaring	61
11	Feilsøking	61
12	Tekniske data	61
13	Kassering	61
13.1	Kaste emballasjen	61
13.2	Kaste produktet	61
14	Garantiinformasjon	62
15	Kundeservice	62

I Leveringsomfang/apparats deler

- 1 Håndmaske
- 2 Betjeningsknapp
- 3 Modustast
- 4 Kontrollampe for manuell modus
- 5 Program-kontrollampe, 4x
- 6 Ladekontakt
- 7 Kontrollampe for automatisk modus
- 8 Gummibånd
- 9 USB-kabel

2 Generelt

2.1 Les og ta vare på bruksanvisningen



Denne bruksanvisningen hører til denne LED Hand Mask (LED-håndmaske) (heretter kalt "produkt"). Den inneholder viktig informasjon om oppstart og bruk.

Les bruksanvisningen nøye før du bruker produktet. Dette gjelder særlig sikkerhetsanvisningene. Hvis du ignorerer denne bruksanvisningen, kan det føre til personskader eller skader på produktet. Bruksanvisningen er basert på de standarder og regler som gjelder i EU og Storbritannia. Følg også lokale retningslinjer og lover i utlandet. Oppbevar bruksanvisningen for senere bruk. Hvis du gir produktet videre til tredjepart, er det viktig at du lar denne bruksanvisningen følge med.

2.2 Symbolforklaring

Følgende symboler og signalord brukes i denne bruksanvisningen, på produktet eller på emballasjen.

ADVARSEL!

Dette signalsymbolet/-ordet betegner en fare med middels risikograd som kan medføre død eller alvorlige personskader hvis den ikke unngås.

LES DETTE!

Dette signalordet advarer mot mulige tingskader.



Dette signalsymbolet gir deg nyttig tilleggsinformasjon om håndtering og bruk.



Les bruksanvisningen.



Samsvarserklæring: Produkter som er merket med dette symbolet, oppfyller alle felles bestemmelser som kommer til anvendelse i EØS-området.



Samsvarserklæring: Produkter som er merket med dette symbolet, oppfyller alle bestemmelser som kommer til anvendelse i Storbritannia.



Dette symbolet kjennetegner merkespenning og merkestrøm for likestrøm.



Apparater som er merket med dette symbolet, egner seg bare til bruk i husholdningen (i tørre rom innendørs).



Dette symbolet angir polariteten til ladekontakten.

NO

3 Sikkerhet

3.1 Riktig bruk

Produktet er utelukkende utviklet for å gjenopprette hudens elastisitet og struktur. Det bidrar også til å redusere fine linjer, rynker og andre huduregelmessigheter. Det er utelukkende ment til privat bruk og er ikke egnet til næringsformål.

Produktet skal bare brukes slik det er beskrevet i denne bruksanvisningen. All annen bruk regnes som feil bruk og kan føre til tingskader eller personskader. Produsenten overtar intet ansvar for materielle eller personskader som skyldes feil eller uriktig bruk.

3.2 Sikkerhetsanvisninger

ADVARSEL! FARE FOR ELEKTRISK STØT!

- Produktet skal bare brukes sammen med den vedlagte USB-kabel.
- Produktets USB-kabel skal utelukkende kobles til en egnet strømadapter (SELV-strømkilde sertifisert i henhold til IEC/EN 60335), som igjen er koblet til en lett tilgjengelig stikkontakt slik at du raskt kan koble den fra strømforsyningen i tilfelle feil oppstår.
- Produktet må ikke brukes hvis det er skadet eller USB-kabelen er defekt.
- Du må ikke åpne apparatet, men overlate reparasjonen til fagfolk. Henvend deg da til kundeservice. Ved reparasjoner utført på egen hånd, ukyndig tilkobling eller feil betjening er ansvar og garantikrav utelukket.
- Ved reparasjoner skal det kun brukes deler som er i samsvar med de opprinnelige apparatspesifikasjonene. Dette produktet har elektriske og mekaniske komponenter, som er helt nødvendig for å beskytte mot farekilder.

- Ikke dypp produktet eller USB-kabelen i vann eller andre væsker. Produktet må ikke komme i kontakt med vann.
- Du må alltid slå av produktet når det ikke er i bruk, når det rengjøres eller dersom det har en feil. Koble alltid USB-kabelen fra strømnettet når produktet ikke lades.
- Du må aldri ta i USB-kabelen med våte eller fuktige hender.
- Ikke stikk gjenstander inn i produktet.
- Hold alle produktets komponenter unna åpen ild og varme overflater.
- Legg USB-kabelen slik at ingen snubler i den.
- Ta alltid tak i selve støpselet når du trekker USB-kabelen ut av strømadapteren, ikke dra i ledningen.
- Ikke knekk USB-kabelen og ikke legg den over skarpe kanter.
- Produktet skal kun benyttes innendørs.
- Ikke bruk produktet mens det lader.

⚠ ADVARSEL! FARE FOR PERSONSKADER!

- Dette produktet kan brukes av personer med begrensede fysiske, sensoriske eller mentale ferdigheter eller av personer med mangel på erfaring og kunnskap dersom de er under tilsyn eller har fått opplæring i hvordan produktet skal brukes på en sikker måte, og har forstått hvilke farer som kan oppstå. Barn skal ikke bruke produktet som leketøy. Rengjøring og brukervedlikehold skal ikke utføres av barn uten tilsyn.
- Hold barn unna produktet og USB-kabelen.
- Produktet skal ikke brukes av gravide personer, barn, mennesker med epilepsi, skjoldkjertelpasienter, mennesker som bruker legemidler i forbindelse med skjoldkjertelen, personer med fotoallergiske reaksjoner eller personer som bruker legemidler til behandling av lysallergi.
- Produktet må ikke brukes ved hudsykdommer, under sårhelingsprosessen, eller ved sår som følge av ulykker eller operasjon.
- Ikke bruk produktet i mer enn 15 minutter per økt.
- Rådfør deg med legen din hvis du er usikker på om du kan bruke produktet.
- Stans bruken av produktet hvis du føler deg uvel, opplever uvanlige reaksjoner (f.eks. kløe eller ubehagelig betennelse) eller hvis huden blir ubehagelig varm.

- Ved feil bruk kan væske lekke fra batteriet – unngå kontakt med det. Væsker som lekker fra batterier kan forårsake irritasjon eller etseskader.
- Kommer batterivæsken i kontakt med hud, øyne eller slimhinner, må du skylle dette stedet omgående med rent vann. Ta kontakt med en lege om nødvendig.
- Batterier må ikke demonteres, kortsluttes eller kastes i ild.

LES DETTE! FARE FOR SKADE!

- Hold produktet unna åpen ild, varme overflater, høye temperaturer eller værpåvirkning (f.eks. regn).
- Ikke bruk produktet dersom plastdelene er sprukket, brukket eller deformert. Skadede deler skal bare erstattes med tilsvarende originale reservedeler.

4 Kontrollere produktet og leveringsomfanget

LES DETTE! FARE FOR SKADE!

- Dersom du åpner emballasjen med en skarp kniv eller andre spisse gjenstander, kan produktet fort bli skadet. Vær veldig forsiktig når du åpner emballasjen.
 1. Ta produktet ut av emballasjen.
 2. Forsikre deg om at innholdet i pakken er fullstendig (se **fig. A**).
 3. Kontroller om produktet eller de enkelte delene er skadet. Hvis det er tilfellet, skal du ikke bruke produktet. Henvend deg til vår kundeservice.

5 Lading

⚠ ADVARSEL! FARE FOR PERSONSKADER!

- Bruk bare den medfølgende USB-kabelen til lading.
- Lad produktet kun ved temperaturer mellom 0 og 40 °C.
- Ta alltid produktet ut av laderen etter at ladingen er avsluttet.



- Før første gangs bruk eller ved svakt batteri, skal du lade det opp fullstendig.
- Hvis batterinivået er lavt, blinker produktets kontrollamper 10 ganger før de slukkes automatisk. Lad produktet.
- Produktet kan ikke brukes mens batteriet lades.
- Hvis produktet oppbevares i lengre tid, må batteritilstanden kontrolleres og produktet regelmessig lades opp.

1. Sett den mindre enden av USB-kabelen **9** inn i ladekontakten **6** på produktet.
2. Koble den større enden av USB-kabelen til USB-porten på en passende USB-strømforsyning (f.eks. USB-adapter).
3. Sett USB-adapteren i en stikkontakt for lading. Ladingen starter automatisk. Kontroller program-kontrollampene **5**, som fortsetter å lyse under lading.
Én kontrollampe = 25 % ladet
To kontrollamper = 50 % ladet
Tre kontrollamper = 75 % ladet
Fire kontrollamper = fullstendig ladet
4. Trekk USB-adapteren ut av stikkontakten og koble USB-kabelen fra produktets ladekontakt når ladingen er fullført.

6 Montering

1. Åpne gummibåndets borrelåser og før gummibåndet **8** gjennom åpningene på håndmaskens **1** sider (se trinn 1 i **fig. B**).
2. Lukk borrelåsene for å feste gummibåndet på håndmasken (se trinn 2 i **fig. B**).

7 Betjening

⚠ ADVARSEL! FARE FOR PERSONSKADER!

- Ikke bruk produktet i mer enn 15 minutter per økt.



Forholdsregler for bruk av produktet (se **fig. C**):

- Ikke legg ned produktet i sammenbrettet tilstand.
- Unngå å brette produktet mer enn 90° under bruk.
- Ikke legg tunge gjenstander på produktet.

7.1 Gjennomføre en økt

1. Lad produktet fullstendig og fest gummibåndet **8** riktig (se kapittel "Lading" og "Montering").
2. Rengjør og tørk hånden grundig. Kontroller at all sminke og smuss er fjernet fra hånden.

3. Sett eller legg deg ned og plasser håndmasken **1** på hånden din.
4. Tilpass gummibåndets lengde ved behov, slik at håndmasken ligger behagelig på hånden din.
5. Trykk på betjeningsknappen **2** for å slå på produktet.

Produktet bytter til manuell modus som standard når det slås på, og program M1 (rød) velges.

6. Trykk flere ganger på modustasten **3** for å bytte mellom automatisk og manuell modus. Kontrollampen for manuell modus **4** eller kontrollampen for automatisk modus **7** lyser avhengig av valg.

Du finner informasjon om bruk av manuell modus i kapittelet "Manuell modus".

Du finner informasjon om bruk av automatisk modus i kapittelet "Automatisk modus".

7. Fjern håndmasken når økten er fullført og påfør et serum og/eller en dag-/nattkrem på hendene.

7.2 Manuell modus

- Produktet bytter til manuell modus som standard når det slås på, og program M1 (rød) velges.
- Hvis du vil bruke et annet program (M2, M3 eller M4), trykker du 1–3 ganger på betjeningsknappen **2** for å velge det. Den respektive program-kontrollampen **5** lyser og viser hva du har valgt.

Les dette: Hvis du trykker på betjeningsknappen en fjerde gang, slås produktet av.

- Kontrollampen for manuell modus **4** lyser i manuell modus.
- Programmets funksjoner:

Program	LED	Best egnet for
M1	Rød	Reduserer fine linjer og rynker; stimulerer kollagen og forbedrer blodsirkulasjonen
M2	Blå	Reduserer rødhet og urenheter forårsaket av akne, og gir en jevnere hud
M3	Gul	Forbedrer hudens fuktighetsnivå og beroliger tørr og sensitiv hud
M4	Lilla	Forebygger hudens aldring og reduserer hudurenheter, samt forbedrer hudens vitalitet og glød

- Økten varer i 10 minutter. Produktet slår seg av automatisk når økten er avsluttet.
- Du kan også holde nede betjeningsknappen for når som helst å slå av produktet.

7.3 Automatisk modus

- Kontrollampen for automatisk modus **7** lyser i automatisk modus.
- Produktet utfører programmene i følgende rekkefølge i automatisk modus:
 - M1 (rød): 5 minutter
 - M2 (blå): 3 minutter
 - M3 (gul): 4 minutter
 - M4 (lilla): 3 minutter
- Hele økten varer i 15 minutter. Produktet slår seg av automatisk når økten er avsluttet.
- Du kan også holde nede betjeningsknappen **2** for når som helst å slå av produktet.

8 Bruksplan

Følg denne tidsplanen når du bruker produktet første gang:

Første uke	Bruk én gang hver tredje dag i maks. 10 minutter
Andre uke	Bruk én gang hver andre dag i maks. 10 minutter
Tredje uke	Bruk én gang hver andre dag i maks. 10–15 minutter
Fjerde uke	Bruk hver dag i maks. 10–15 minutter

Så snart du ser resultater, utføres behandlingen én eller to ganger per uke.

9 Rengjøring

⚠ ADVARSEL! FARE FOR ELEKTRISK STØT!

- Koble alltid produktet fra strømforsyningen før rengjøring.

LES DETTE! FARE FOR SKADE!

- Ikke bruk aggressive rengjøringsmidler, børster med metallbust eller skarpe eller metalliske rengjøringshjelpemidler som kniv, harde sparkelspader eller lignende.
- Ikke rengjør produktet med svært varmt vann.
- Tørk av håndmasken **1** med en fuktig klut eller en vannbasert rengjøringsserviett. Tørk den så tørr med en tørr klut.

10 Oppbevaring

Før oppbevaring må alle delene være fullstendig tørre.

- Oppbevar produktet på et rent og tørt sted hvor det er beskyttet mot varme og direkte sollys.
- Oppbevar produktet slik at det er utilgjengelig for barn.

- Oppbevar produktet i originalemballasjen for å beskytte det så godt som mulig.

11 Feilsøking

Noen problemer forårsakes muligens av små feil som du selv kan rette opp. Da må du følge anvisningene i den følgende tabellen. Hvis du ikke klarer å løse problemet på den måten, må du henvende deg til kundeservice. Ikke reparer produktet selv.

Feil	Mulig årsak og løsning
Produktet virker ikke.	<ul style="list-style-type: none">• Kontroller at produktet er ordentlig ladet.• Kontroller at produktet ikke er koblet til en USB-strømforsyning. Produktet virker ikke under lading.
Det er ikke mulig å lade produktet.	<ul style="list-style-type: none">• Kontroller at USB-kabelen 9 sitter trygt mellom ladekontakten 6 og USB-strømforsyningen.

12 Tekniske data

Modell:	HAC01
Nominell inngangseffekt:	5 V --- 1 A
Driftsspenning:	3,7 V
Batterikapasitet:	1 500 mAh, 5,55 Wh (litium)
Antall LED-lamper:	108
Vekt:	334 g
Dimensjoner (L × H × B):	387 × 185 × 52 mm

13 Kassering

13.1 Kaste emballasjen



Kildesorter emballasjen ved kasting. Kast papp og kartong som returpapir, folier til gjenvinning.

13.2 Kaste produktet

(Gjelder i Den europeiske unionen og andre europeiske stater med systemer for kildesortering av gjenvinnbare materialer)



Gamle apparater skal ikke kastes som husholdningsavfall!

Når produktet en gang ikke lenger kan brukes, **må du levere det til godkjent mottak i samsvar med gjeldende**

regler i din kommune. På den måten sikres det at utrangerte apparater behandles på faglig riktig måte, og negative innvirkninger på miljøet unngås. Derfor er elektriske apparater merket med dette symbolet som er avbildet her.

Gamle apparater og batterier skal ikke kastes som husholdningsavfall!



Som sluttbruker er du forpliktet til å levere alle batterier til en gjenbruksstasjon der du bor eller til forhandleren, uansett om de inneholder farlige stoffer* eller ikke, slik at de kan håndteres på en miljøvennlig måte. Ta med hele produktet (inklusive batteri) til en gjenbruksstasjon og forsikre deg om at batteriet er utladet!

*merket med: Cd = kadmium, Hg = kvikksølv, Pb = bly

14 Garantiinformasjon

Dette produktet omfattes av 2 års garanti i henhold til de europeiske lovene og forskriftene. Garantien på dette produktet begrenser seg til tekniske mangler som er forårsaket av feil i produksjonsprosessene. Hvis du vil gjøre garantikrav gjeldende, må du passe på å innhente anvisninger fra vår kundeservice. Kanskje de kan løse problemet ditt uten at du må sende inn produktet til butikken eller vårt service-senter. Vår kundeservice vil alltid gjerne hjelpe deg!

15 Kundeservice

Ytterligere informasjon om produktene fra Silk'n finner du på din regionale Silk'n-nettside under: www.silkn.eu. Dersom apparatet er skadet eller defekt, det er nødvendig med en reparasjon eller du trenger vår hjelp, skal du henvende deg til det nærmeste Silk'nservicesenteret. Du kan laste ned denne brukerhåndboka fra www.silkn.eu som PDF-fil.

Servicenummer: +31(0)180-330550

E-post: info@silkn.eu

Juridiska upplysningar

Invention Works B.V. förbehåller sig rätten att företa ändringar i sina produkter eller specifikationer för att förbättra prestanda, driftsäkerhet och tillverkningsprocesser. Information som tillhandahålls av Invention Works B.V. anses vara korrekt och tillförlitlig vid tidpunkten för publicering. Invention Works B.V. tar dock inget ansvar för hur informationen används. Ingen licens ges underförstått varken under patent eller under patenträttigheter tillhörande Invention Works B.V.

SV

Ingen del av detta dokument får kopieras eller överföras i någon form eller med elektroniska eller mekaniska medel för några som helst syften utan uttryckligt skriftligt godkännande från Invention Works B.V. Vi förbehåller oss rätten att ändra data utan föregående meddelande.

Silkn Beauty Ltd. har patent samt anhängiga patentansökningar, varumärken, upphovsrättigheter eller andra rättigheter till immateriell egendom, vilka avses med detta dokument. Tillhandahållandet av detta dokument ger dig ingen licens för dessa patent, varumärken, upphovsrättigheter eller andra rättigheter till immateriell egendom, om detta inte uttryckligen regleras av ett skriftligt avtal från Silkn Beauty Ltd. Vi förbehåller oss rätten att ändra tekniska data utan föregående meddelande.

Silk'n och Silk'n-logotypen är registrerade varumärken tillhörande Silkn Beauty Ltd.

Invention Works B.V.

Galileïstraat 17, 3029 AL Rotterdam, Nederländerna
www.silkn.eu – info@silkn.eu

Innehållsförteckning

1	Leveransomfång/apparatens delar	64
2	Allmänt	64
2.1	Läs och spara bruksanvisningen	64
2.2	Symbolförklaring	64
3	Säkerhet	64
3.1	Avsedd användning	64
3.2	Säkerhetsanvisningar	64
4	Kontrollera produkt och leveransomfång	65
5	Ladda	65
6	Montering	66
7	Användning	66
7.1	Genomföra sessionen	66
7.2	Manuellt läge	66
7.3	Automatiskt läge	67
8	Användningsschema	67
9	Rengöring	67
10	Förvaring	67
11	Felsökning	67
12	Tekniska data	67
13	Avfallshantering	67
13.1	Kassera förpackningen	67
13.2	Kassera produkten	67
14	Garantiinformation	68
15	Kundtjänst	68

I Leveransomfång/apparatus delar

- 1 Handmask
- 2 Funktionsknapp
- 3 Lägesknapp
- 4 Kontrollampa för manuellt läge
- 5 Kontrollampa för program, 4x
- 6 Laddningsanslutning
- 7 Kontrollampa för automatiskt läge
- 8 Gummiband
- 9 USB-kabel

2 Allmänt

2.1 Läs och spara bruksanvisningen



Den här bruksanvisningen är en del av LED Hand Mask (LED-handmask) (hädanefter "produkten"). Den innehåller viktig information om start och användning.

Läs bruksanvisningen noggrant innan du använder produkten. Detta gäller särskilt säkerhetsanvisningarna. Underlåtenhet att följa denna bruksanvisning kan medföra personskador eller skador på produkten. Bruksanvisningen grundar sig på de normer och regler som gäller i Europeiska unionen och Förenade kungariket. Följ även landsspecifika riktlinjer och lagar om du bor i utlandet. Spara bruksanvisningen för senare användning. Om du överlämnar produkten till någon annan person är det viktigt att du bifogar denna bruksanvisning.

2.2 Symbolförklaring

Nedanstående symboler och signalord används i den här bruksanvisningen, på produkten eller på förpackningen.

⚠ VARNING!

Den här signalsymbolen/det här signalordet betecknar en fara med medelhög riskgrad, som kan leda till dödsfall eller svår personskada om den inte undviks.

OBS!

Detta signalord varnar för möjliga saksador.



Denna signalsymbol ger dig användbar extra information om hantering och användning.



Bekanta dig med bruksanvisningen.



Försäkran om överensstämmelse: Produkter märkta med denna symbol uppfyller alla EES-föreskrifter.



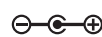
Försäkran om överensstämmelse: Produkter märkta med denna symbol uppfyller alla tillämpliga föreskrifter i Storbritannien.



Denna symbol karakteriserar märkspänningen och märkströmmen för likström.



Apparater märkta med denna symbol är endast lämpliga för användning i hushållet (i torra inomhusmiljöer).



Med denna symbol anges laddningsanslutningens polaritet.

3 Säkerhet

3.1 Avsedd användning

Produkten är endast framtagen för återställning av din huds glans och elasticitet. Därutöver bidrar den till att minska fina linjer, rynkor och andra hudfel. Den är endast avsedd för privat bruk och är inte lämplig för kommersiellt bruk.

Använd endast produkten på det sätt som beskrivs i bruksanvisningen. All annan användning betraktas som icke avsedd användning och kan leda till saksador eller personskador. Tillverkaren ansvarar inte för sak- eller personskador som uppstått på grund av ej avsedd eller felaktig användning.

3.2 Säkerhetsanvisningar

⚠ VARNING! RISK FÖR ELEKTRISKA STÖTAR!

- Använd endast produkten med den medföljande USB-kabeln.
- Anslut produktens USB-kabel endast till en lämplig nätadapter (certifierad SELV-spänningskälla enligt IEC/EN 60335), som i sin tur är ansluten till ett lättillgängligt uttag, så att du snabbt kan koppla bort den från strömförsörjningen vid fel.
- Använd inte produkten om den är skadad eller om USB-kabeln är defekt.
- Öppna inte höljet, utan överlåt reparationen till utbildade reparatörer. Kontakta kundtjänst för sådana ärenden. Vid självständigt genomförda reparationer, felaktig anslutning eller felaktigt handhavande upphör garantin att gälla.
- Vid reparationer får endast delar användas som motsvarar apparatens ursprungliga specifikationer. Den här produkten innehåller elektriska och mekaniska delar, som är absolut nödvändiga för att skydda mot riskällor.

- Doppa inte produkten eller USB-kabeln i vatten eller andra vätskor. Håll den borta från vatten.
- Stäng alltid av produkten när du inte använder den, när du rengör den eller när ett fel föreligger. Dra alltid ut USB-kabeln ur eluttaget när du inte laddar produkten.
- Ta aldrig i USB-kabeln med våta eller fuktiga händer.
- Stick inte in några föremål i höljet.
- Håll produktens samtliga delar borta från öppen eld och heta ytor.
- Placera USB-kabeln så att den inte utgör någon snubbelrisk.
- Dra inte ur USB-kabeln ur nätadaptern genom att dra i kabeln, utan håll alltid i kontakten som sitter på kabeln.
- Vik inte USB-kabeln och lägg den inte över vassa kanter.
- Använd produkten endast inomhus.
- Använd inte produkten vid laddning.

! VARNING! RISK FÖR PERSONSKADOR!

- Denna produkt kan användas av personer med begränsad fysisk, sensorisk eller mental förmåga eller av personer med brist på erfarenhet och kunskap om de hålls under uppsikt eller har instruerats om en säker användning av produkten och om de har förstått de risker som användningen kan medföra. Barn får inte leka med produkten. Barn får inte rengöra eller underhålla produkten.
- Håll barn borta från produkten och USB-kabeln.
- Produkten får inte användas av gravida, barn, personer med epilepsi, sköldkörtelpatienter, personer som tar läkemedel för sköldkörteln, personer med fotoallergi eller av personer som tar läkemedel för att behandla en ljusallergi.
- Produkten får inte användas vid hudsjukdomar, varbildning, olycksbetingade eller postoperativa sår.
- Använd inte produkten längre än 15 minuter per session.
- Kontakta din läkare om du inte är säker på om du kan använda produkten.
- Om du känner dig dålig eller drabbas av onormala reaktioner (t.ex. klåda eller obehagliga inflammationer) eller om huden blir varm på ett obehagligt sätt ska du genast sluta använda produkten.

- Om produkten används felaktigt kan vätska läcka ut ur batteriet – undvik att komma i kontakt med vätskan. Vätskor som läcker ut ur batterier kan orsaka hudirritationer eller frätskador.
- Om batterivätska kommer i kontakt med huden, ögonen eller slemhinnorna ska det påverkade stället omedelbart tvättas och sköljas med rent vatten. Uppsök läkarvård om så behövs.
- Batterier får inte öppnas, kortslutas eller kastas i elden.

OBS! RISK FÖR SKADOR!

- Håll produkten borta från öppen eld, heta ytor, höga temperaturer eller väderpåverkan (till exempel regn).
- Sluta använda produkten om några plastdelar är spruckna, brutna eller deformerade. Ersätt skadade delar enbart med motsvarande originaldelar.

4 Kontrollera produkt och leveransomfång

OBS! RISK FÖR SKADOR!

- Om du på ett oförsiktigt sätt öppnar förpackningen med en vass kniv eller andra spetsiga föremål, kan produkten bli skadad. Öppna förpackningen mycket försiktigt.
1. Ta ut produkten ur förpackningen.
 2. Förvissa dig om att leveransen är fullständig (se **bild A**).
 3. Kontrollera att produkten och de enskilda delarna inte är skadade. Om så är fallet ska du inte använda produkten. Kontakta vår kundtjänst.

5 Ladda

! VARNING! RISK FÖR PERSONSKADOR!

- Använd endast den medföljande USB-kabeln och för att ladda.
- Ladda produkten endast vid temperaturer mellan 0 och 40 °C.
- Koppla alltid bort produkten från elnätet när laddningen avslutats.



- Ladda produkten fullständigt före den första användningen och när batteriet är svagt.
- Vid låg batterinivå blinkar kontrollamporna på produkten 10 gånger innan de slocknar automatiskt. Ladda produkten.
- Produkten kan inte användas medan laddningen pågår.
- Om produkten lagras under en längre tid ska batterinivån kontrolleras och produkten laddas regelbundet.

1. Sätt den mindre änden av USB-kabeln **9** i produktens laddningsanslutning **6**.
2. Stick in USB-kabelns större ände i USB-anslutningen för en lämplig USB-strömkälla (t.ex. USB-nädadapter).
3. Sätt USB-nädadaptern i ett eluttag för laddning. Laddningen startas automatiskt. Kontrollera kontrollamporna för programmen **5** som fortsätter att lysa under laddningen.
En kontrollampa = laddad upp till 25 %
Två kontrollampor = laddad upp till 50 %
Tre kontrollampor = laddad upp till 75 %
Fyra kontrollampor = fulladdad
4. När laddningsprocessen har avslutats, dra ut USB-nädadaptern ur eluttaget och dra ut USB-kabeln ur produktens laddningsanslutning.

6 Montering

1. Öppna kardborrefästena på gummibandet **8** och för gummibandet genom öppningarna på handmaskens **1** sidor (se steg 1 på **bild B**).
2. Stäng karborrefästena för att fästa gummibandet på handmasken (se steg 2 på **bild B**).

7 Användning

⚠ VARNING! RISK FÖR PERSONSKADOR!

- Använd inte produkten längre än 15 minuter per session.



Försiktighetsåtgärder för att använda produkten (se **bild C**):

- Lägg inte undan produkten hopvikt.
- Vik produkten max. 90° vid användning.
- Placera inte några tunga föremål på produkten.

7.1 Genomföra sessionen

1. Ladda produkten helt och hållet och sätt på gummibandet **8** korrekt (se kapitlen "Ladda" och "Montering").
2. Rengör och torka handen noggrant. Kontrollera att det inte finns smink eller smuts.
3. Sätt eller lägg dig ner och placera handmasken **1** på handen.
4. Anpassa vid behov gummibandets längd så att handmasken ligger bekvämt mot handen.
5. Tryck på funktionsknappen **2** för att slå på produkten.

Efter påslagning växlar produkten som standard till det manuella läget och sedan väljs programmet M1 (röd).

6. Tryck vid behov flera gånger på lägesknappen **3** för att växla mellan det automatiska och manuella läget.

Beroende på vad du har valt tänds kontrollampan för manuellt läge **4** eller kontrollampan för automatiskt läge **7**.

I kapitlet "Manuellt läge" finns information om hur man använder det manuella läget.

I kapitlet "Automatiskt läge" finns information om hur man använder det automatiska läget.

7. Ta av handmasken efter sessionen och stryk på ett serum eller en dag- eller nattkräm på din hand.

7.2 Manuellt läge

- Efter påslagning växlar produkten som standard till det manuella läget och sedan väljs programmet M1 (röd).
- Om du önskar ett annat program (M2, M3 eller M4), trycker du 1–3 gånger på funktionsknappen **2** för att välja det. Programmets respektive kontrollampa för programmen **5** tänds och visar ditt val.

Obs: Om du trycker på funktionsknappen en fjärde gång stängs produkten av.

- I det manuella läget tänds kontrollampan för manuellt läge **4**.

- Programmens funktioner:

Program	Lysdiod	Mest lämplig för
M1	Röd	Reducerar kråkfötter och rynkor, stimulerar kollagen och förbättrar blodcirkulationen
M2	Blå	Reducerar aknerelaterad rodnad och orenheter, ger en klarare hy
M3	Gul	Förbättrar hudens fuktbalans och lugnar torr och känslig hud
M4	Lila	Förhindrar hudens åldrande och reducerar hudorenheter; förbättrar hudens vitalitet och lyster

- Sessionen pågår i 10 minuter. När sessionens tid har gått ut stängs produkten av automatiskt.
- Du kan också hålla funktionsknappen intryckt för att stänga av produkten när som helst.

7.3 Automatiskt läge

- I det automatiska läget tänds kontrollampen för automatiskt läge **7**.
- I det automatiska läget genomför produkten programmen i följande ordning:
 - M1 (röd): 5 minuter
 - M2 (blå): 3 minuter
 - M3 (gul): 4 minuter
 - M4 (lila): 3 minuter
- Hela sessionen pågår i 15 minuter. När sessionens tid har gått ut stängs produkten av automatiskt.
- Du kan också hålla funktionsknappen **2** intryckt för att stänga av produkten när som helst.

8 Användningsschema

Följ följande tidsschema när produkten används för första gången:

Första veckan	En gång var tredje dag i max. 10 minuter per behandlingsomgång
Andra veckan	En gång varannan dag i max. 10 minuter per behandlingsomgång
Tredje veckan	En gång varannan dag i max. 10–15 minuter per behandlingsomgång
Fjärde veckan	Varje dag i max. 10–15 minuter per behandlingsomgång

Så fort du ser resultat ska du anpassa frekvensen till en eller två gånger per vecka.

9 Rengöring

⚠ VARNING! RISK FÖR ELEKTRISKA STÖTAR!

- Koppla alltid bort produkten från strömkällan före rengöring.

OBS! RISK FÖR SKADOR!

- Använd inte aggressiva rengöringsmedel, borstar med metallborst eller vassa eller metalliska rengöringsverktyg såsom knivar, hårda skrapor eller liknande.
- Använd inget hett vatten för rengöringen.
- Torka av handmasken **1** med en fuktig duk eller en vattenbaserad rengöringsduk. Torka den sedan torrt med en torr trasa.

10 Förvaring

Före förvaring måste alla delarna vara helt torra.

- Förvara produkten på en ren och torr plats, som är skyddad mot värme och direkt solljus.
- Förvara produkten så att den är otillgänglig för barn.
- Förvara produkten i originalförpackningen för att skydda den på bästa möjliga sätt.

11 Felsökning

Några problem kan ev. förorsakas av mindre störningar som du själv kan åtgärda. Följ då anvisningarna i följande tabell. Om problemet inte blir avhjälpt med det, är du välkommen att kontakta kundtjänst. Reparera inte produkten själv.

Fel	Möjlig orsak och lösning
Produkten fungerar inte.	<ul style="list-style-type: none"> • Se till att produkten har laddats på korrekt sätt. • Kontrollera att produkten inte är ansluten till en USB-strömkälla. Produkten fungerar inte vid laddning.
Det går inte att ladda produkten.	<ul style="list-style-type: none"> • Kontrollera att USB-kabeln 9 är ansluten mellan laddningsanslutningen 6 och USB-strömkällan på ett säkert sätt.

12 Tekniska data

Modell:	HAC01
Nominell effektförbrukning:	5 V === 1 A
Driftsspänning:	3,7 V
Batterikapacitet:	1 500 mAh, 5,55 Wh (litium)
Antal lysdioder:	108
Vikt:	334 g
Dimensioner (L × H × B):	387 × 185 × 52 mm

13 Avfallshantering

13.1 Kasser förpackningen



Källsortera de olika materialen i förpackningen när du kasserar den. Papp och kartong ska sorteras som papper. Plast ska lämnas till återvinning.

13.2 Kasserera produkten

(Tillämpligt i Europeiska unionen och andra europeiska länder med system för separat insamling av återvinningsbart avfall)



Kasserade apparater får inte kastas i hushållssoporna!

Om produkten inte längre kan användas, **ska den lämnas till avfallshantering enligt de lagar och bestämmelser som**

gäller i ditt land. På så sätt säkerställs att elektriska och elektroniska produkter återvinns på ett lämpligt sätt och att negativa effekter på miljön undviks. Därför är elektriska apparater märkta med den här avbildade symbolen.

Batterier och batteripack får inte kastas i hushållsavfallet!



Som konsument är du skyldig enligt lag att lämna samtliga batterier och batteripack – oavsett om de innehåller farliga ämnen* eller inte – till kommunens/stadsdelens återvinningscentral eller till en återförsäljare för miljövänlig avfallshantering.

Ta med den fullständiga produkten (inklusive batteriet) till din återvinningcentral och se till att batteriet är urladdat!

*märkta med: Cd = kadmium, Hg = kvicksilver, Pb = bly

I4 Garantiinformation

Den här produkten täcks av en tvåårig garanti enligt europeiska lagar och bestämmelser. Produktgarantins omfattning begränsar sig till tekniska fel, som orsakats av fel i produktionsprocessen. Om du gör anspråk på garanti, bör du begära anvisningar från vår kundtjänst. Den kan kanske lösa problemet utan att produkten behöver skickas till affären eller vårt servicecenter. Vår kundtjänst hjälper dig gärna!

I5 Kundtjänst

Mer information om produkterna från Silk'n hittar du på den regionala Silk'n-webbplatsen: www.silkn.eu. Om apparaten är skadad eller defekt, om den kräver reparation eller du behöver vår hjälp, är du välkommen att kontakta närmaste Silk'n-servicecenter. Du kan även ladda ned den här användarhandboken från www.silkn.eu. som pdf.

Service nummer: +31 (0)180-330550

E-post: info@silkn.eu

Právní sdělení

Společnost Invention Works B.V. si vyhrazuje právo na změny výrobků nebo specifikací, za cílem zvýšení výkonu, spolehlivosti nebo zpracovatelnosti. Informace poskytnuté společností Invention Works B.V. jsou v době publikování považovány za správné a spolehlivé. Společnost Invention Works B.V. však nepřebírá žádnou odpovědnost za jejich používání. Licence se neposkytuje se konkludentně, ani na základě patentu nebo patentového práva společnosti Invention Works B.V.

Bez výslovného písemného souhlasu společnosti Invention Works B.V. nesmí být žádná část tohoto dokumentu žádným způsobem a pro žádný účel reprodukována nebo přenášena, a to ani elektronickou nebo mechanickou cestou. Vyhrazuje si právo na změny bez předchozího oznámení.

Společnost Silk'n Beauty Ltd. disponuje patenty, zahájenými patentovými přihláškami, obchodními značkami, autorskými právy nebo jinými právy duševního vlastnictví, které jsou součástí tohoto dokumentu. Pokud nebude se společností Silk'n Beauty Ltd. sepsána pro tyto patenty, obchodní značky, autorská práva nebo jiná práva duševního vlastnictví výslovná písemná dohoda, není poskytnutí tohoto dokumentu v žádném případě licencí. Změna technických údajů bez předchozího oznámení vyhrazena.

Silk'n a logo Silk'n jsou zapsané ochranné známky společnosti Silk'n Beauty Ltd.

Invention Works B.V.
Galileistraat 17, 3029 AL Rotterdam, Nizozemsko
www.silkn.eu - info@silkn.eu

Obsah

1	Rozsah dodávky/Části zařízení	70
2	Všeobecně	70
2.1	Přečtěte si a uschovejte tento návod k použití	70
2.2	Vysvětlení symbolů	70
3	Bezpečnost	70
3.1	Použití v souladu s určením	70
3.2	Bezpečnostní upozornění	70
4	Zkontrolujte výrobek a obsah balení	71
5	Nabíjení	71
6	Sestavení	72
7	Obsluha	72
7.1	Provedení aplikace	72
7.2	Manuální režim	72
7.3	Automatický režim	73
8	Plán aplikace	73
9	Čištění	73
10	Skladování	73
11	Odstraňování problémů	73
12	Technické údaje	73
13	Likvidace	73
13.1	Likvidace obalu	73
13.2	Likvidace výrobku	73
14	Záruční informace	74
15	Služba zákazníkům	74

I Rozsah dodávky/Části zařízení

- 1 Světelná maska na ruce
- 2 Ovládací tlačítko
- 3 Tlačítko volby režimu
- 4 Světelná kontrolka manuálního režimu
- 5 Světelná kontrolka programu, 4x
- 6 Nabíjecí konektor
- 7 Světelná kontrolka automatického režimu
- 8 Elastický pásek
- 9 USB kabel

2 Všeobecně

2.1 Přečtěte si a uschovejte tento návod k použití



Tento návod k použití náleží k této LED Hand Mask - světelné masce na ruce (dále jen „výrobek“). Obsahuje důležité informace k jejímu uvedení do provozu a používání.

Před použitím výrobku si pečlivě přečtěte návod k použití. Platí to zejména pro bezpečnostní upozornění. Nedodržení tohoto návodu k použití může mít za následek zranění nebo poškození výrobku. Návod k použití je založený na normách a pravidlech platných v Evropské unii a ve Spojeném království. Respektujte pokyny a zákony platné v zahraničí i pro jednotlivé země. Uschovejte tento návod k obsluze pro pozdější použití. Pokud tento výrobek předáte třetí osobě, současně s ním předejte i tento návod k použití.

2.2 Vysvětlení symbolů

V tomto návodu k použití, na výrobku nebo na obalu se používají následující symboly a výstražná slova.

VAROVÁNÍ!

Tato výstražná slova/výstražné symboly označují nebezpečí se středním rizikem, které, pokud se mu nevyhnete, může mít za následek smrt nebo vážné zranění.

UPOZORNĚNÍ!

Toto výstražné slovo označuje nebezpečí poškození majetku.



Tento výstražný symbol poskytuje užitečné dodatečné informace k zacházení a užívání.



Přečtěte si návod k použití.



Prohlášení o shodě: S tímto symbolem označení jsou výrobky v souladu se všemi platnými předpisy Společenství v rámci Evropského hospodářského prostoru.



Prohlášení o shodě: Výrobky označené tímto symbolem jsou v souladu se všemi platnými předpisy Spojeného království.



Tento symbol označuje jmenovité napětí a jmenovitý proud pro stejnosměrný proud.



Přístroje, které jsou označené tímto symbolem, jsou vhodné pouze pro domácí použití (v suchých vnitřních prostorech).



Tento symbol udává polaritu nabíjecího konektoru.

3 Bezpečnost

3.1 Použití v souladu s určením

Výrobek je navržen výhradně pro obnovu elasticity a struktury vaší pokožky. Dále pomáhá redukovat jemné i hluboké vrásky a jiné nedokonalosti pleti. Je určen výlučně pro soukromé použití a není vhodný pro komerční použití.

Výrobek používejte pouze způsobem popsáním v tomto návodu k použití. Jakékoliv jiné použití je považováno za nevhodné a může vést k věcným škodám nebo zraněním. Výrobce neručí za škody nebo zranění způsobené nevhodným nebo nesprávným použitím.

3.2 Bezpečnostní upozornění

VÝSTRAHA NEBEZPEČÍ ÚRAZU ELEKTRICKÝM PROUDEM!

- Výrobek používejte pouze s dodaným USB kabelem.
- USB kabel výrobku připojujte pouze k vhodnému síťovému adaptéru (napájecí zdroj SELV certifikovaný podle normy IEC/EN 60335), který je zapojen do snadno přístupné elektrické zásuvky, abyste ho v případě poruchy mohli rychle odpojit od elektrické sítě.
- Výrobek neuvádějte do provozu, jestliže je poškozený nebo pokud je vadný USB kabel.
- Neotevírejte nikdy pouzdro, přenechejte opravu odborným pracovníkům. Za tímto účelem se obraťte na zákaznický servis. V případě svépomocí provedených oprav, neodborného nebo nesprávného připojení nebo nesprávné obsluhy pozbývají jakékoliv záruční nároky platnost.

- Při opravách se smí použít jen takové díly, které odpovídají původním údajům přístroje. V tomto výrobku se nachází elektrické a mechanické díly, které jsou nezbytné pro ochranu před zdroji nebezpečí.
- Neponořujte přístroj ani USB kabel do vody či jiných kapalin. Uchovávejte ho v bezpečné vzdálenosti od vody.
- Výrobek vždy vypněte, pokud jej nepoužíváte, když jej čistíte nebo když došlo k jeho poruše. USB kabel vždy odpojte, když výrobek nenabíjíte.
- Nikdy nesahejte na USB kabel mokřýma nebo vlhkýma rukama.
- Nevkládejte žádné předměty do pouzdra.
- Žádnou část výrobku neumist'ujte do blízkosti otevřeného ohně a horkých povrchů.
- Umístěte USB kabel tak, abyste o něj nezakopli.
- Nevytahujte USB kabel z napájecího zdroje za kabel, nýbrž vždy uchopte samotnou zástrčku kabelu.
- Neohýbejte USB kabel a nepokládejte jej přes ostré hrany.
- Výrobek používejte pouze v interiéru.
- Výrobek nepoužívejte, když se nabíjí.

⚠ VÝSTRAHA! NEBEZPEČÍ ZRANĚNÍ!

- Tento výrobek mohou používat osoby s omezenými fyzickými, smyslovými nebo duševními schopnostmi nebo nedostatkem zkušeností a vědomostí, pouze pokud jsou pod dohledem nebo dostali pokyny, jak se má výrobek bezpečně používat a porozuměli z toho vyplývajícím nebezpečí. Nedovolte dětem, aby si s výrobkem hrály. Čištění a běžnou údržbu nesmí provádět děti.
- Výrobek a USB kabel uložte vždy mimo dosah dětí.
- Výrobek nesmí používat těhotné ženy, děti, osoby s epilepsií, pacienti s onemocněním štítné žlázy, osoby, které užívají léky na léčbu onemocnění štítné žlázy, osoby náchylné k fotoalergii či osoby, které užívají léky na léčbu projevu fotoalergie.
- Výrobek se nesmí používat při výskytu kožních onemocnění, hnisavých ran, traumatických a pooperačních ran.
- Při jedné aplikaci nepoužívejte výrobek déle než 15 minut.
- Pokud si nejste jisti, zda je pro vás použitý výrobek vhodný, obraťte se na svého lékaře.

- Jestliže se vám při používání výrobku udělá nevolno, objeví-li se neobvyklé reakce (např. svědění nebo nepříjemný zánět) nebo pokud budete na pokožce cítit nepříjemné teplo, výrobek ihned přestaňte používat.
- Při nesprávném použití může dojít k vytečení kapaliny z baterie – zamezte kontaktu s touto kapalinou. Kapalina vytečená z baterií může způsobit podráždění nebo poleptání.
- Dojde-li ke kontaktu kůže, očí nebo sliznice s kapalinou z baterie, zasažené místo neprodleně omyjte a opláchněte čistou vodou. Případně vyhledejte lékaře.
- Baterie nerozebírejte, nezkratujte a ani nevhazujte do ohně.

UPOZORNĚNÍ! NEBEZPEČÍ POŠKOZENÍ!

- Výrobek neumist'ujte do blízkosti otevřeného ohně, horkých povrchů, nevystavujte ho vysokým teplotám ani povětrnostním vlivům (např. dešti).
- Přestaňte výrobek používat, pokud dojde k prasknutí, zlomení nebo deformacím plastových dílů. Poškozené díly nechejte vyměnit pouze za příslušné originální náhradní díly.

4 Zkontrolujte výrobek a obsah balení

UPOZORNĚNÍ! NEBEZPEČÍ POŠKOZENÍ!

- Pokud neopatrně otevřete obal pomocí ostrého nože nebo pomocí jiných ostrých předmětů, můžete výrobek snadno poškodit. Při otevírání buďte velmi opatrní.

1. Výrobek vyjměte z obalu.
2. Přesvědčte se, že je dodávka kompletní (viz **obr. A**).
3. Zkontrolujte, zda výrobek nebo jeho jednotlivé části nejsou poškozené. Pokud je výrobek poškozený, nepoužívejte jej. Za tímto účelem se obraťte na náš zákaznický servis.

5 Nabíjení

⚠ VÝSTRAHA! NEBEZPEČÍ ZRANĚNÍ!

- K nabíjení vždy používejte pouze dodaný USB kabel.
- Výrobek nabíjejte jen při okolní teplotě mezi 0 a 40 °C.
- Po ukončení nabíjení vždy výrobek odpojte od zdroje napájení.



- Výrobek nechejte zcela nabít před prvním použitím a při nízkém výkonu baterie.
- Při nízkém výkonu baterie zablikají světelné kontrolky na výrobku 10krát, poté automaticky zhasnou. Výrobek nabijte.
- Během nabíjení není možné výrobek používat.
- Když budete výrobek skladovat delší dobu, kontrolujte stav nabití baterie a výrobek pravidelně nabíjejte.

1. Menší konec USB kabelu (9) zapojte do nabíjecího konektoru (6) na výrobku.
2. Větší konec USB kabelu zapojte do konektoru pro USB kabel na vhodném USB zdroji napájení (např. USB napájecí adaptér).
3. Za účelem nabíjení zapojte USB napájecí adaptér do zásuvky.
Nabíjení začne automaticky. Kontrolujte světelné kontrolky programu (5), které budou během nabíjení svítit.
Jedna světelná kontrolka = nabito na 25 %
Dvě světelné kontrolky = nabito na 50 %
Tři světelné kontrolky = nabito na 75 %
Všechny světelné kontrolky = plně nabito
4. Po dokončení nabíjení, vypojte USB napájecí adaptér ze zásuvky a odpojte USB kabel od nabíjecího konektoru.

6 Sestavení

1. Rozepněte zapínání na elastickém pásku (8) a elastický pásek provlečte otvory na bočních stranách světelné masky na ruce (1) (viz krok 1 na obr. B).
2. Zapněte zapínání, abyste uchytili elastický pásek k výrobku (viz krok 2 na obr. B).

7 Obsluha

⚠ VÝSTRAHA! NEBEZPEČÍ ZRANĚNÍ!

- Při jedné aplikaci nepoužívejte výrobek déle než 15 minut.



Bezpečnostní opatření pro používání výrobku (viz obr. C):

- Výrobek neskladujte složený.
- Výrobek při používání neohýbejte o více než 90°.
- Na výrobek nepokládejte žádné těžké předměty.

7.1 Provedení aplikace

1. Výrobek zcela nabijte a správně na něj upevněte elastický pásek (8) (viz kapitola „Nabíjení“ a „Sestavení“).
2. Ruku si důkladně očistěte a osušte. Ujistěte se, že jste z ní odstranili make-up a nečistoty.
3. Posadte se nebo si lehněte a světelnou masku na ruce (1) si položte na ruku.
4. Podle potřeby upravte délku elastického pásku tak, aby vám výrobek na ruce pohodlně seděl.
5. Stiskněte ovládací tlačítko (2).

Tak výrobek zapnete.

Výrobek se po zapnutí standardně přepne do manuálního režimu a zvolí program M1 (červené světlo).

6. Podle potřeby několikrát stiskněte tlačítko režimu (3), kterým můžete přepínat mezi automatickým a manuálním režimem.

Podle toho, jakou volbu provedete, se rozsvítí buďto světelná kontrolka manuálního režimu (4) nebo světelná kontrolka automatického režimu (7).

Informace k použití manuálního režimu najdete v kapitole „Manuální režim“.

Informace k použití automatického režimu najdete v kapitole „Automatický režim“.

7. Po ukončení aplikace výrobek z ruky sejměte a naneste na pokožku ruky sérum a/nebo denní/ noční krém.

7.2 Manuální režim

- Výrobek se po zapnutí standardně přepne do manuálního režimu a zvolí program M1 (červené světlo).
- Pokud si přejete jiný program (M2, M3 nebo M4), stiskněte 1–3krát ovládací tlačítko (2) a zvolte ho. Rozsvítí se odpovídající světelná kontrolka programu (5) signalizující vaši volbu.

Upozornění: Jestliže stisknete tlačítko pro zapnutí/vypnutí počtvrté, výrobek se vypne.

- V manuálním režimu bude svítit světelná kontrolka manuálního režimu (4).
- Funkce programů:

Program	LED	Nejvhodnější pro
M1	Červená	Redukuje jemné a výraznější vrásky, stimuluje tvorbu kolagenu a zlepšuje cirkulaci krve
M2	Modrá	Redukuje zarudnutí a nerovnosti po akné, stará se o jasný vzhled pleti
M3	Žlutá	Zlepšuje rovnováhu vlhkosti v pleti a zklidňuje suchou a citlivou pleť

Program	LED	Nejvhodnější pro
M4	Fialová	Zabraňuje stárnutí pleti a redukuje nedokonalosti pleti, zlepšuje vitalitu a zářivost pleti

- Aplikace trvá 10 minut. Po uplynutí doby aplikace se výrobek automaticky vypne.
- Výrobek můžete také kdykoli vypnout tak, že stisknete a podržíte ovládací tlačítko.

7.3 Automatický režim

- V automatickém režimu bude svítit světelná kontrolka automatického režimu **7**.
- V automatickém režimu provede výrobek programy v následujícím pořadí:
M1 (červená): 5 min.
M2 (modrá): 3 min.
M3 (žlutá): 4 min.
M4 (fialová): 3 min.
- Celá aplikace trvá 15 minut. Po uplynutí doby aplikace se výrobek automaticky vypne.
- Výrobek můžete také kdykoli vypnout tak, že stisknete a podržíte ovládací tlačítko **2**.

8 Plán aplikace

Při prvním použití výrobku dodržte tento časový plán:

První týden	Použijte jednou za 3 dny vždy max. 10 min
Druhý týden	Použijte jednou za 2 dny vždy max. 10 min
Třetí týden	Použijte jednou za 2 dny vždy max. 10–15 min
Čtvrtý týden	Použijte každý den max. 10–15 min

Jakmile zaznamenáte výsledky, snižte četnost použití na jedenkrát nebo dvakrát týdně.

9 Čištění

⚠ VÝSTRAHA! NEBEZPEČÍ ÚRAZU ELEKTRICKÝM PROUDEM!

- Předtím, než výrobek vyčistíte, ho vždy odpojte od zdroje napájení.

UPOZORNĚNÍ! NEBEZPEČÍ POŠKOZENÍ!

- Nepoužívejte žádné abrazivní čisticí prostředky, kartáče s kovovými či nylonovými štětinkami, ani ostré nebo kovové čisticí pomůcky, jako jsou nože, tvrdé špachtle apod.
- Výrobek nečistěte horkou vodou.
- Světelnou masku na ruce **1** otřete navlhčeným hadříkem nebo čisticí utěrkou na vodní bázi. Poté ho zcela osušte suchým hadříkem.

10 Skladování

Před uskladněním zajistěte, aby byly všechny díly zcela suché.

- Výrobek uschovávejte na čistém a suchém místě, které je chráněno před horkem a přímým slunečním světlem.
- Výrobek uchovávejte tak, aby k němu neměly přístup děti.
- Výrobek uchovávejte v původním obalu, abyste ho co možná nejlépe chránili.

11 Odstraňování problémů

Některé problémy mohou být způsobeny drobnými poruchami, které můžete odstranit sami. Postupujte podle pokynů v následující tabulce. Pokud se problém přesto nevyřeší, obraťte se na zákaznický servis. Výrobek neopravujte sami.

Porucha	Možné příčiny a řešení
Výrobek nefunguje.	<ul style="list-style-type: none"> • Ujistěte se, že je výrobek řádně nabitý. • Ujistěte se, že výrobek není připojen k USB napájecímu adaptéru. Výrobek během nabíjení nefunguje.
Výrobek není možné nabít.	<ul style="list-style-type: none"> • Ujistěte se, že je USB kabel 9 řádně zapojen do nabíjecího konektoru 6 a USB napájecího adaptéru.

12 Technické údaje

Model:	HAC01
Jmenovitý příkon:	5 V === 1 A
Provozní napětí:	3,7 V
Kapacita baterie:	1 500 mAh, 5,55 Wh (lithiová)
Počet LED kontrolkek:	108
Hmotnost:	334 g
Rozměry (D × V × Š):	387 × 185 × 52 mm

13 Likvidace

13.1 Likvidace obalu



Balení zlikvidujte podle jeho typu. Lepenku a karton odevzdejte do sběru papíru, folie do sběru druhotných surovin.

13.2 Likvidace výrobku

(Platí v Evropské unii a dalších evropských státech uplatňujících oddělený systém recyklovatelného sběru)



Zákaz vhazování starých přístrojů do domovního odpadu!

Pokud již nelze výrobek používat, **zlikvidujte jej v souladu s nařízeními, která jsou platná ve vaší zemi či regionu.**

To zajišťuje, že staré spotřebiče budou řádně recyklovány a bude zabráněno negativním dopadům na životní prostředí. Proto jsou elektronické přístroje označeny zde uvedeným symbolem.

Baterie a akumulátory se nesmí vyhazovat do domovního odpadu!



Jako koncový uživatel máte ze zákona povinnost odevzdat všechny baterie a akumulátory – at' už obsahují nebezpečné látky* nebo ne – na sběrném místě ve vaší obci/městské části nebo u prodejce, aby mohly být zlikvidovány ekologicky.

Odneste celý výrobek (včetně akumulátoru) na příslušné sběrné místo a ujistěte se, že je akumulátor vybitý!

*označeno: Cd = kadmium, Hg = rtuť, Pb = olovo

14 Záruční informace

Na tento výrobek se vztahují evropská nařízení a zákony o 2 leté záruce. Rozsah záruky na tento výrobek je omezen na technické vady způsobené vadnými výrobními postupy. Pokud chcete uplatnit svůj nárok na záruku, je nutno získat pokyny od naší služby zákazníkům. Může vyřešit váš problém, aniž byste museli výrobek zaslat zpět do obchodu nebo do našeho servisního střediska. Naše služba zákazníkům vám vždy rád pomůže!

15 Služba zákazníkům

Další informace o výrobcích Silk'n naleznete na svých regionálních webových stránkách na: www.silkn.eu. Pokud je přístroj poškozený nebo defektní, potřebuje opravu, jestliže potřebujete naši pomoc, obraťte se na nejbližší servisní středisko Silk'n. Tuto příručku uživatele si ve formátu PDF můžete stáhnout i z www.silkn.eu.

Číslo servisního střediska: +31 (0)180-330550

E-mail: info@silkn.eu

Prawa autorskie 2023 © Silk'n Beauty Ltd. Wszelkie prawa zastrzeżone.

Informacja prawna

Invention Works B.V. zastrzega sobie prawo do dokonywania zmian w produktach lub specyfikacjach w celu poprawy efektywności, bezpieczeństwa użytkowania lub zdolności produkcyjnych.

Informacje udostępnione przez Invention Works B.V. zostają uznane za poprawne i wiarygodne w dniu ich opublikowania. Jednak Invention Works B.V. nie ponosi odpowiedzialności za ich wykorzystanie. Invention Works B.V. nie przyznaje żadnej licencji dorozumianej, wynikającej z patentu lub podlegającej przepisom prawa patentowego.

Żadnej z części niniejszego dokumentu nie wolno w żadnej formie lub elektronicznie czy mechanicznie kopiować lub przekazywać w jakichkolwiek celach bez wyraźnej pisemnej zgody Invention Works B.V.

Dane mogą zostać zmienione bez powiadomienia. Silk'n Beauty Ltd. dysponuje patentami oraz zgłoszeniami patentowymi, znakami towarowymi, prawami autorskimi lub innymi prawami własności intelektualnej, które są przedmiotem tego dokumentu. Udostępnienie niniejszego dokumentu nie oznacza przekazania licencji na patenty, znaki towarowe, prawa autorskie lub inne prawa własności intelektualnej, o ile nie jest to wyraźnie uregulowane w formie pisemnej umowy przez Silk'n Beauty Ltd. Dane techniczne mogą zostać zmienione bez powiadomienia.

Silk'n i logo Silk'n są zarejestrowanymi znakami towarowymi Silk'n Beauty Ltd.

Invention Works B.V.
Galileistraat 17, 3029 AL Rotterdam, Holandia
www.silk'n.eu – info@silk'n.eu

Spis treści

1	Zakres dostawy/części urządzenia	76
2	Informacje ogólne	76
2.1	Czytanie instrukcji obsługi i przechowywanie jej	76
2.2	Objaśnienie symboli	76
3	Bezpieczeństwo	76
3.1	Użytkowanie zgodne z przeznaczeniem	76
3.2	Wskazówki dotyczące bezpieczeństwa	76
4	Sprawdzenie produktu i zawartości opakowania	77
5	Ładowanie	78
6	Montaż	78
7	Obsługa	78
7.1	Przeprowadzenie sesji	78
7.2	Tryb manualny	78
7.3	Tryb automatyczny	79
8	Harmonogram stosowania	79
9	Czyszczenie	79
10	Przechowywanie	79
11	Rozwiązywanie problemów	79
12	Dane techniczne	80
13	Utylizacja	80
13.1	Utylizacja opakowania	80
13.2	Utylizacja produktu	80
14	Informacje gwarancyjne	80
15	Obsługa klienta	80

I Zakres dostawy/części urządzenia

- 1 Maska na dłoń
- 2 Przycisk
- 3 Przycisk trybu pracy
- 4 Lampka kontrolna trybu ręcznego
- 5 Lampka kontrolna programu, 4×
- 6 Gniazdo ładowania
- 7 Lampka kontrolna trybu automatycznego
- 8 Gumowy pasek
- 9 Kabel USB

2 Informacje ogólne

2.1 Czytanie instrukcji obsługi i przechowywanie jej



Niniejsza instrukcja obsługi należy do tej LED Hand Mask (maski na dłoń LED zwanej dalej „produktem”). Zawiera ona ważne informacje potrzebne do

rozpoczęcia użytkowania i obsługi.

Przed rozpoczęciem użytkowania produktu należy dokładnie zapoznać się z instrukcją obsługi. Dotyczy to w szczególności instrukcji bezpieczeństwa.

Nieprzestrzeganie zaleceń niniejszej instrukcji obsługi może doprowadzić do obrażeń lub uszkodzenia produktu. Instrukcja obsługi opiera się na normach i przepisach obowiązujących w Unii Europejskiej i Wielkiej Brytanii. Należy również przestrzegać wytycznych i przepisów krajowych. Prosimy zachować niniejszą instrukcję obsługi w celu późniejszego wykorzystania. Przekazując produkt osobie trzeciej konieczne należy dostarczyć niniejszą instrukcję obsługi.

2.2 Objaśnienie symboli

Poniższe symbole i zwroty ostrzegawcze są używane w niniejszej instrukcji obsługi, na produkcie oraz na opakowaniu.

OSTRZEŻENIE!

Symbol/zwrot ostrzegawczy wskazujący na zagrożenie o średnim stopniu ryzyka, które w przypadku jego zignorowania może doprowadzić do poważnych obrażeń lub nawet do śmierci.

NOTYFIKACJA!

Zwrot ostrzegawczy ostrzegający przed możliwymi uszkodzami materialnymi.



Ten symbol ostrzegawczy przekazuje przydatne informacje dodatkowe na temat użytkowania.



Należy zapoznać się z instrukcją obsługi.



Deklaracja zgodności: Produkty oznaczone tym symbolem spełniają wszystkie właściwe przepisy wspólnotowe Europejskiego Obszaru Gospodarczego.



Deklaracja zgodności: Produkty oznaczone tym symbolem spełniają wszystkie właściwe przepisy obowiązujące w Wielkiej Brytanii.



Ten symbol wskazuje napięcie znamionowe i natężenie znamionowe dla prądu stałego.



Urządzenia oznaczone tym symbolem są przeznaczone jedynie do użytkowania w gospodarstwie domowym (w suchych pomieszczeniach).



Ten symbol wskazuje biegunowość złącza do ładowania.

3 Bezpieczeństwo

3.1 Użytkowanie zgodne z przeznaczeniem

Produkt został opracowany wyłącznie w celu przywrócenia elastyczności i struktury skóry. Ponadto pomaga zredukować drobne linie, zmarszczki i inne niedoskonałości skóry. Przeznaczone jest ono wyłącznie do użytku prywatnego, a nie zastosowania komercyjnego.

Z produktu należy korzystać wyłącznie zgodnie z niniejszą instrukcją obsługi. Każdy inny sposób wykorzystania produktu uznaje się za niezgodny z przeznaczeniem i może doprowadzić do strat materialnych lub stanowić zagrożenie dla życia lub zdrowia. Sprzedawca nie ponosi odpowiedzialności za szkody lub obrażenia powstałe wskutek użytkowania produktu w sposób nieprawidłowy lub niezgodny z jego przeznaczeniem.

3.2 Wskazówki dotyczące bezpieczeństwa

OSTRZEŻENIE! RYZYKO PORAŻENIA PRĄDEM!

- Z produktu należy korzystać wyłącznie w połączeniu z załączonym kablem USB.
- Kabel USB produktu należy podłączać wyłącznie do odpowiedniego źródła zasilania (źródło napięcia SELV z certyfikatem IEC/EN 60335), które z kolei jest podłączone do łatwo

dostępnego gniazdka elektrycznego, aby można było szybko odłączyć je od sieci w przypadku awarii.

- Nie używać produktu, jeśli jest uszkodzony lub kabel USB jest wadliwy.
- Nie otwierać obudowy, a naprawę zlecić specjalistom. W tym celu należy zwracać się do działu obsługi klienta. W przypadku naprawy przeprowadzonej we własnym zakresie, nieprawidłowego podłączenia lub nieodpowiedniej obsługi wyklucza się roszczenia gwarancyjne.
- Do naprawy urządzenia wolno stosować tylko części odpowiadające jego pierwotnym danym. W produkcie znajdują się części elektryczne i mechaniczne nieodchowne do bezpiecznego użytkowania.
- Nie zanurzać produktu lub kabla USB w wodzie lub w innych cieczach. Trzymać je z dala od wody.
- Zawsze wyłączać produkt, gdy nie jest używany, w celu wyczyszczenia lub gdy wystąpiła usterka. Zawsze odłączać kabel USB, gdy produkt nie jest ładowany.
- Nigdy nie wolno dotykać kabla USB wilgotnymi lub mokrymi rękami.
- Nie wkładać żadnych przedmiotów do obudowy.
- Trzymać produkt i wszystkie jego części z dala od otwartego ognia i gorących powierzchni.
- Kabel USB należy poprowadzić w taki sposób, aby wykluczyć ryzyko potknięcia.
- Nie wyciągać kabla USB z zasilacza ciągnąc za przewód, lecz zawsze chwytać za wtyczkę kabla.
- Nie zaginać kabla USB i nie prowadzić go przez ostre krawędzie.
- Produkt należy stosować wyłącznie w pomieszczeniach.
- Nie używać produktu w trakcie ładowania.

⚠ OSTRZEŻENIE! RYZYKO ODNIESIENIA OBRAŻEŃ!

- Ten produkt może być używany przez osoby o ograniczonych zdolnościach fizycznych, sensorycznych lub umysłowych, lub osoby nieposiadające doświadczenia i wiedzy, pod warunkiem, że są one nadzorowane lub zostały poinstruowane w zakresie bezpiecznego użytkowania produktu i rozumieją związane z tym zagrożenia. Dzieci nie powinny bawić się produktem. Czyszczenie i konserwacja nie powinny być przeprowadzane przez dzieci.
- Dzieci należy trzymać z dala od produktu i kabla USB.

- Produkt nie może być stosowany przez kobiety w ciąży, dzieci, osoby z epilepsją, osoby z chorobami tarczycy, osoby przyjmujące leki na tarczycę, osoby z fotoalergią lub osoby przyjmujące leki na alergię na światło.
- Produkt nie może być stosowany w przypadku chorób skóry, ropiejących ran, ran powypadkowych i pooperacyjnych.
- Nie używać produktu dłużej niż 15 minut na sesję.
- W razie wątpliwości co do możliwości stosowania produktu należy skonsultować się z lekarzem.
- W przypadku odczuwania dyskomfortu, wystąpienia nietypowych reakcji (np. swędzenia lub nieprzyjemnego stanu zapalnego) lub nieprzyjemnego nagrzania skóry, należy zaprzestać stosowania produktu.
- W przypadku niewłaściwego użytkowania z baterii może wyciekać płyn – unikać kontaktu z nim. Ciecz wyciekająca z baterii może powodować podrażnienia lub oparzenia.
- W przypadku kontaktu skóry, oczu lub błon śluzowych z płynem z baterii, należy natychmiast przemyć i spłukać dotknięte obszary czystą wodą. W razie potrzeby proszę skonsultować się z lekarzem.
- Baterii nie wolno demontować, zwierać ani wrzucać do ognia.

NOTYFIKACJA! NIEBEZPIECZEŃSTWO USZKODZENIA!

- Produkt należy przechowywać z dala od otwartego ognia, gorących powierzchni, wysokich temperatur lub czynników atmosferycznych (np. deszczu).
- Nie używać produktu, jeżeli części z tworzywa sztucznego są pęknięte, połamane lub zdeformowane. Uszkodzone części należy wymienić tylko na odpowiednie oryginalne części zamienne.

4 Sprawdzenie produktu i zawartości opakowania

NOTYFIKACJA! NIEBEZPIECZEŃSTWO USZKODZENIA!

- Nieostrożne otwieranie opakowania nożem lub innym ostrym przedmiotem może spowodować uszkodzenie produktu. Opakowanie należy otwierać bardzo ostrożnie.

- I. Wyjąć produkt z opakowania.

2. Upewnić się, czy dostawa jest kompletna (patrz **rys. A**).
3. Sprawdzić czy produkt lub jego poszczególne części nie są uszkodzone. W przypadku stwierdzenia uszkodzenia nie należy korzystać z produktu. Prosimy zwrócić się do Działem Obsługi Klienta.

5 Ładowanie

⚠ OSTRZEŻENIE! RYZYKO ODNIESIENIA OBRAŻEŃ!

- Do ładowania należy używać wyłącznie dostarczonego kabla USB.
- Produkt ładować w temperaturze pomiędzy od 0 do 40 °C.
- Zawsze odłączać produkt od zasilania po zakończeniu ładowania.



- Należy w pełni naładować produkt przed pierwszym użyciem i gdy poziom naładowania baterii jest niski.
- Gdy poziom naładowania baterii jest niski, lampki kontrolne na produkcie migają 10 razy, po czym automatycznie gasną. Naładować produkt.
- Produkt nie może być używany podczas ładowania.
- Jeśli produkt jest przechowywany przez dłuższy czas, należy sprawdzać poziom naładowania baterii i regularnie ładować produkt.

1. Podłączyć mniejszą końcówkę kabla USB **9** do gniazda ładowania **6** produktu.
2. Podłączyć większą końcówkę kabla USB do gniazda USB odpowiedniego źródła zasilania USB (np. zasilacza USB).
3. Podłączyć zasilacz USB do gniazda zasilania, aby naładować urządzenie.
Proces ładowania rozpocznie się automatycznie. Sprawdzić lampki kontrolne programu **5**, świecące podczas procesu ładowania.
Jedna lampka kontrolna = naładowanie do 25 %
Dwie lampki kontrolne = naładowanie do 50 %
Trzy lampki kontrolne = naładowanie do 75 %
Cztery lampki kontrolne = pełne naładowanie
4. Po zakończeniu ładowania odłączyć zasilacz USB od gniazda ściennego i odłączyć kabel USB od portu ładowania produktu.

6 Montaż

1. Otworzyć zapięcia na rzepy na gumowym pasku **8** i przelożyć gumkę przez otwory po bokach maski na dłoń **1** (patrz krok 1 na **rys. B**).

2. Zapiąć rzepy, aby przymocować gumowy pasek do maski na dłoń (patrz krok 2 na **rys. B**).

7 Obsługa

⚠ OSTRZEŻENIE! RYZYKO ODNIESIENIA OBRAŻEŃ!

- Nie używać produktu dłużej niż 15 minut na sesję.



Środki ostrożności dotyczące stosowania produktu (patrz **rys. C**):

- Nie kłaść produktu w stanie złożonym.
- Podczas użytkowania nie należy składać produktu pod kątem większym niż 90°.
- Nie należy umieszczać ciężkich przedmiotów na produkcie.

7.1 Przeprowadzenie sesji

1. W pełni naładować produkt i prawidłowo założyć gumowy pasek **8** (patrz rozdział „Ładowanie” i „Montaż”).
2. Dokładnie oczyścić i osuszyć dłoń. Upewnić się, że nie znajduje się na niej makijaż ani brud.
3. Usiąść lub położyć się i umieścić maskę na dłoni **1**.
4. W razie potrzeby dostosować długość paska gumowego, aby maska na dłoń wygodnie przylegała do dłoni.
5. Należy wcisnąć przycisk **2**, aby włączyć urządzenie.
Po włączeniu produkt domyślnie przełącza się w tryb ręczny i wybierany jest program M1 (czerwony).
W razie potrzeby nacisnąć kilkakrotnie przycisk trybu pracy **3**, aby przełączyć między trybem automatycznym i ręcznym.
W zależności od dokonanej decyzji zaświeci się kontrolka trybu ręcznego **4** lub kontrolka trybu automatycznego **7**.
Informacje na temat korzystania z trybu ręcznego znajdują się w rozdziale „Tryb manualny”.
Informacje na temat korzystania z trybu automatycznego znajdują się w rozdziale „Tryb automatyczny”.
7. Po zakończeniu sesji zdjąć maskę z dłoni i nałożyć na nie serum i/lub krem na dzień/noc.

7.2 Tryb manualny

- Po włączeniu produkt domyślnie przełącza się w tryb ręczny i wybierany jest program M1 (czerwony).
- Jeśli ma być użyty inny program (M2, M3 lub M4), w celu jego wyboru nacisnąć przycisk **2** 1–3 razy. Odpowiednia lampka kontrolna programu **5** zaświeci, aby wskazać wybór.

Notyfikacja: Po wciśnięciu przycisku po raz czwarty, produkt zostanie wyłączony.

- W trybie ręcznym świeci się lampka kontrolna trybu ręcznego **4**.
- Funkcje programów:

Program	LED	Najbardziej odpowiednia dla
M1	Czerwony	Redukuje drobne linie i zmarszczki, stymuluje kolagen i poprawia krążenie krwi
M2	Niebieski	Zmniejsza zaczerwienienia związane z trądzikiem i zanieczyszczenia, zapewnia czystsza cerę
M3	Żółty	Poprawia nawilżenie skóry i łagodzi suchą i wrażliwą cerę
M4	Fioletowy	Zapobiega starzeniu się skóry i redukuje jej zanieczyszczenia, poprawia witalność skóry i nadaje jej blask.

- Sesja trwa 10 minut. Po upływie czasu sesji produkt wyłącza się automatycznie.
- Można również nacisnąć i przytrzymać przycisk, aby wyłączyć produkt w dowolnym momencie.

7.3 Tryb automatyczny

- W trybie automatycznym świeci się lampka kontrolna trybu automatycznego **7**.
- W trybie automatycznym produkt wykonuje programy w następującej kolejności:
M1 (czerwony): 5 minut
M2 (niebieski): 3 minuty
M3 (żółty): 4 minuty
M4 (fioletowy): 3 minuty
- Cała sesja trwa 15 minut. Po upływie czasu sesji produkt wyłącza się automatycznie.
- Można również nacisnąć i przytrzymać przycisk **2**, aby wyłączyć produkt w dowolnym momencie.

8 Harmonogram stosowania

Podczas pierwszego użycia produktu należy postępować zgodnie z poniższym harmonogramem:

Pierwszy tydzień	Stosować raz na 3 dni każdorazowo maks. 10 minut
Drugi tydzień	Stosować raz na 2 dni każdorazowo maks. 10 minut
Trzeci tydzień	Stosować raz na 2 dni każdorazowo maks. 10–15 minut
Czwarty tydzień	Stosować codziennie każdorazowo maks. 10–15 minut

Gdy wyniki będą widoczne, należy dostosować częstotliwość do jednego lub dwóch razy w tygodniu.

9 Czyszczenie

⚠ OSTRZEŻENIE! RYZYKO PORAŻENIA PRĄDEM!

- Przed czyszczeniem należy zawsze odłączyć produkt od źródła zasilania.

NOTYFIKACJA! NIEBEZPIECZEŃSTWO USZKODZENIA!

- Nie stosować żadnych agresywnych środków czyszczących, szczotek ze szczeciną metalową ani ostrych przedmiotów do czyszczenia lub przedmiotów wykonanych z metalu, takich jak noże, twarde szpachle itp.
- Do czyszczenia nie należy używać gorącej wody.
- Przetrzeć maskę na dłoń **1** wilgotną ściereczką lub specjalną nawilżoną wodą ściereczką do czyszczenia. Następnie wytrzeć ją do sucha suchą szmatką.

10 Przechowywanie

Wszystkie części muszą być całkowicie suche przed schowaniem.

- Produkt należy przechowywać w czystym i suchym miejscu, z dala od źródeł ciepła i bezpośredniego światła słonecznego.
- Produkt należy przechowywać w miejscu niedostępnym dla dzieci.
- Produkt należy przechowywać w oryginalnym opakowaniu w celu zapewnienia najlepszej ochrony.

11 Rozwiązywanie problemów

Problemy mogą być spowodowane nieznacznymi usterkami, które można samodzielnie usunąć. W tym celu należy przestrzegać instrukcji z poniższej tabeli. Jeśli problem nie zostanie w ten sposób rozwiązany, należy zwrócić się do Działu Obsługi Klienta. Nie wolno samodzielnie naprawiać produktu.

Usterka	Możliwa przyczyna i rozwiązanie
Produkt nie działa.	<ul style="list-style-type: none"> • Upewnić się, że produkt jest prawidłowo naładowany. • Upewnić się, że produkt nie jest podłączony do źródła zasilania USB. Produkt nie działa podczas ładowania.
Produkt się nie ładuje.	<ul style="list-style-type: none"> • Upewnić się, że kabel USB 9 jest prawidłowo podłączony między gniazdem ładowania 6 a źródłem zasilania USB.

12 Dane techniczne

Model:	HAC01
Znamionowa moc wejściowa:	5 V === 1 A
Napięcie robocze:	3,7 V
Pojemność akumulatora:	1 500 mAh, 5,55 Wh (litowy)
Liczba diod LED:	108
Masa:	334 g
Wymiary (dł. × wys. × szer.):	387 × 185 × 52 mm

13 Utylizacja

13.1 Utylizacja opakowania



Opakowanie należy usunąć do odpowiedniego kontenera na odpady. Tekturę i karton należy zutylizować razem z makulaturą, folię razem z tworzywem sztucznym.

13.2 Utylizacja produktu

(Dotyczy Unii Europejskiej i innych państw europejskich, posiadających systemy do segregacji surowców wtórnych)



Starych urządzeń nie można wyrzucać do śmieci razem z odpadami domowymi!

Jeśli produkt nie może być już dłużej używane, **należy zutylizować je zgodnie z przepisami obowiązującymi w danym regionie lub kraju.** W ten sposób zapewnia się profesjonalną utylizację starych urządzeń i unika negatywnego wpływu na środowisko naturalne. Dlatego urządzenia elektryczne są oznaczone przedstawionym symbolem.

Baterii i akumulatorów nie można wyrzucać do śmieci razem z odpadami domowymi!



Użytkownik końcowy jest prawnie zobowiązany do przekazania wszystkich baterii i akumulatorów – niezależnie od tego, czy zawierają one substancje niebezpieczne*, czy nie – do punktu zbiórki w gminie lub do sprzedawcy, aby można je było zutylizować w sposób przyjazny dla środowiska.

Należy oddać kompletny produkt (w tym akumulator) do punktu zbiórki i upewnić się, że akumulator jest rozładowany!

*oznaczono za pomocą: Cd = kadm, Hg = rtęć, Pb = ołów

14 Informacje gwarancyjne

Ten produkt jest objęty 2-letnią gwarancją zgodnie z regulacjami i przepisami europejskimi. Zakres gwarancji tego produktu jest ograniczony do usterek technicznych spowodowanych wadliwym procesem produkcji. W przypadku chęci wniesienia roszczenia z tytułu gwarancji należy zasięgnąć wskazówek w naszym Dziale Obsługi Klienta. Być może problem może być rozwiązany bez odsyłania produktu do sklepu czy Centrum Serwisowego. Nasz Dział Obsługi Klienta zawsze chętnie służy pomocą!

15 Obsługa klienta

Dalsze informacje o produktach Silk'n dostępne są na stronie regionalnej Silk'n: www.silkn.eu. Jeśli urządzenie jest uszkodzone lub wadliwe, potrzebna jest naprawa lub nasza pomoc, prosimy zwrócić się do najbliższego Centrum Serwisowego Silk'n. Ten podręcznik użytkownika można pobrać również ze strony www.silkn.eu w formacie PDF.

Numer Serwisu: +31 (0) 180-330550

E-mail: info@silkn.eu

Teisinė informacija

Invention Works B.V. pasilieka teisę atlikti savo gaminių ar specifikacijų pakeitimus, kuriais gerinama gaminių kokybė, didinamas naudojimo saugumas ar tobulinama gamyba.

Invention Works B.V. parengta informacija paskelbiant yra teisinga ir patikima. Tačiau Invention Works B.V. neatsako už šios informacijos naudojimą. Invention Works B.V. licencija nesuteikiama nei netiesiogiai, nei pagal patentą ar patento teisę.

Be aiškaus raštiško Invention Works B.V. sutikimo draudžiama bet kokiais tikslais ir bet kokia forma ar elektroninėmis arba mechaninėmis priemonėmis kopijuoti ar perduoti šį dokumentą. Pasilieka teisę keisti duomenis be išankstinio įspėjimo.

Silk'n Beauty Ltd. turi patentų, susijusių patentų paraiškų, prekių ženklų, autoriaus teisių ir kitos intelektualinės nuosavybės, kurie yra šio dokumento objektas. Jei nėra atskiro raštiško susitarimo su Silk'n Beauty Ltd., šiuo dokumentu jums nesuteikiama licencija naudoti šiuos patentus, prekių ženklus, autoriaus teises ir kitas intelektualinės nuosavybės teises. Pasilieka teisę keisti techninius duomenis be išankstinio įspėjimo.

Silk'n pavadinimas ir Silk'n logotipas yra registruoti Silk'n Beauty Ltd. prekių ženklai.

Invention Works B.V.
Galileistraat 17, 3029 AL Rotterdam, Nyderlandai
www.silk'n.eu – info@silk'n.eu

Turinys

1	Tiekiamas komplektas / įrenginio dalys	82
2	Bendroji informacija	82
2.1	Perskaitykite ir saugokite vartotojo vadovą	82
2.2	Simbolių paaiškinimas	82
3	Sauga	82
3.1	Naudojimas pagal paskirtį	82
3.2	Saugos nurodymai	82
4	Gaminio ir komplekto tikrinimas	83
5	Įkrovimas	83
6	Montavimas	84
7	Valdymas	84
7.1	Procedūra	84
7.2	Rankinis režimas	84
7.3	Automatinis režimas	84
8	Naudojimo planas	85
9	Valymas	85
10	Laikymas	85
11	Trikčių paieška	85
12	Techniniai duomenys	85
13	Atliekų tvarkymas	85
13.1	Pakuotės atliekų tvarkymas	85
13.2	Gaminio atliekų tvarkymas	85
14	Garantijos informacija	86
15	Klientų aptarnavimo skyrius	86

I Tiekiamas komplektas / įrenginio dalys

- 1 Rankų kaukė
- 2 Valdymo mygtukas
- 3 Režimo mygtukas
- 4 Rankinio režimo kontrolinė lemputė
- 5 Programos kontrolinė lemputė, 4 vnt.
- 6 Įkrovimo lizdas
- 7 Automatinio režimo kontrolinė lemputė
- 8 Guminė juostelė
- 9 USB laidas

2 Bendroji informacija

2.1 Perskaitykite ir saugokite vartotojo vadovą



Tai yra „LED Hand Mask“ (šviesos diodų rankų kaukės) (toliau „gaminys“) vartotojo vadovas. Jame pateikiama svarbios informacijos apie gaminio naudojimo

pradžią ir naudojimą.

Prieš naudodami gaminį atidžiai perskaitykite vartotojo vadovą. Ypač atidžiai perskaitykite saugos nurodymus. Nesilaikant vartotojo vadovo galima patirti sužalojimų arba gali būti pažeistas gaminys. Vartotojo vadovas paremtas Europos Sąjungoje ir Jungtinėje Karalystėje taikomais standartais ir taisyklėmis. Užsienyje laikykitės naudojimo šalyje galiojančių direktyvų ir teisės aktų. Saugokite vartotojo vadovą galimam vėlesniam naudojimui. Perleisdami gaminį tretiesiems asmenims, būtinai kartu perduokite ir vartotojo vadovą.

2.2 Simbolių paaiškinimas

Šiame vartotojo vadove, ant gaminio ar pakuotės pateikiami toliau aprašyti simboliai ir signaliniai žodžiai.

⚠ ĮSPĖJIMAS!

Šiuo signaliniu žodžiu / simboliu žymimas vidutinio rizikingumo pavojus, kurio neišvengus galima patirti mirtiną ar sunkų sužalojimą.

PASTABA!

Šis signalinis žodis įspėja apie galimą materialinę žalą.



Šiuo signaliniu simboliu žymima naudinga, papildoma informacija apie gaminio naudojimą.



Perskaitykite vartotojo vadovą.



Atitiktis deklaracija. Šiuo simboliu pažymėti gaminiai atitinka visus taikomus Europos ekonominės erdvės reikalavimus.



Atitiktis deklaracija. Šiuo simboliu pažymėti gaminiai atitinka visus taikomus Jungtinės Karalystės reikalavimus.



Šiuo simboliu žymima nuolatinės elektros srovės vardinė įtampa ir vardinė srovė.



Šiuo simboliu pažymėti įrenginiai pritaikyti naudoti tik butyje (sausose patalpose).



Šiuo simboliu žymimi įkrovimo lizdo poliai.

3 Sauga

3.1 Naudojimas pagal paskirtį

Gaminys skirtas tik jūsų odos stangrumui ir struktūrai atkurti. Jis taip pat padeda sumažinti smulkias linijas, raukšles ir kitus odos trūkumus. Jis skirtas naudoti tik privačiai ir nepritaikytas naudoti komerciškai.

Gaminį naudokite tik taip, kaip aprašyta šiame vartotojo vadove. Bet koks kitoks naudojimas laikomas naudojimu ne pagal paskirtį ir gali sukelti žalos turtui ar žmonėms. Gamintojas neatsako už žalą ir sužalojimus, atsiradusius dėl netinkamo naudojimo ar naudojimo ne pagal paskirtį.

3.2 Saugos nurodymai

⚠ ĮSPĖJIMAS! ELEKTROS SMŪGIO PAVOJUS!

- Gaminį naudokite tik su kartu tiekiamu USB laidu.
- USB laidą junkite tik prie pritaikyto maitinimo bloko (pagal IEC / EN 60335 sertifikuoto SELV maitinimo įtampos šaltinio), prijungto prie lengvai prieinamo tinklo lizdo, kad būtų galima greitai atjungti nuo elektros tinklo įvykus trikdžiai.
- Nepradėkite naudoti gaminio, jei jis pažeistas arba pažeistas USB laidas.
- Nebandykite atidaryti gaminio korpuso, o remonto darbus patikėkite specialistams. Tam kreipkitės į klientų aptarnavimo skyrių. Dėl savavališkai atlikto remonto, netinkamo prijungimo ar netinkamo naudojimo prarandama teisė reikalauti atsakomybės ir garantijos.
- Remontui gali būti naudojamos tik pradiniai įrenginio duomenis atitinkančios dalys. Šiame gaminyje yra elektrinių ir mechaninių dalių, būtinų apsaugai nuo pavojaus šaltinių.

- Nenardinkite gaminio ar USB laido į vandenį ar kitus skysčius. Saugokite juos nuo vandens.
- Visada išjunkite gaminį, jei jo nenaudojate ar valote arba įvykus trikdžiai. Kai gaminio nekraunate, būtinai atjunkite USB laidą.
- Jokiu būdu neimkite USB laido šlapiomis ar drėgnomis rankomis.
- Nekiškite į korpusą jokių daiktų.
- Saugokite visas gaminio dalis nuo atviros liepsnos ir karštų paviršių.
- USB laidą nutieskite taip, kad nekiltų pavojus už jo užkliūti.
- USB laido netraukite iš maitinimo bloko už paties laido, bet visada imkite už kištuko.
- USB laido nesulenkite ir nedėkite virš aštrių briaunų.
- Gaminį naudokite tik patalpose.
- Nenaudokite gaminio, kol jis įkraunamas.

LT

⚠ ĮSPĖJIMAS! SUŽALOJIMŲ PAVOJUS!

- Ribotų fizinių, sensorinių ir protinių gebėjimų asmenys bei asmenys, kuriems trūksta patirties ar žinių, naudoti gaminį gali tik prižiūrimi arba išmokyti, kaip tinkamai jį naudoti, bei supratę kylančius pavojus. Gaminys neskirtas žaisti vaikams. Vaikams draudžiama valyti gaminį ir atlikti naudotojo atliekamus techninės priežiūros darbus.
- Neprileiskite vaikų prie gaminio ir USB laido.
- Gaminį draudžiama naudoti nėščiosioms, vaikams, žmonėms, sergantiems epilepsija, skydliaukės ligomis, fotodermatitu arba vartojantiems vaistus, skirtus gydyti skydliaukę ar fotodermatitą.
- Gaminio negalima naudoti, jei naudotojas turi odos ligų arba avarijose patirtų, pooperacinių ar pūliuojančių žaizdų.
- Nenaudokite gaminio ilgiau nei 15 minučių vienu kartu.
- Jei nesate tikri, ar galite naudoti gaminį, kreipkitės į savo gydytoją.
- Jei patiriate neįprastų reakcijų (pvz., niežėjimą arba nemalonų uždegimą) arba oda nemaloniai įkaista, nedelsdami nustokite naudoti gaminį.
- Netinkamai naudojant gaminį gali ištekėti baterijos skystis – saugokitės sąlyčio su juo. Iš baterijų ištekėjęs skystis gali dirginti arba ėsdinti.
- Baterijos skysčiui patekus ant odos, į akis ar ant gleivinės, nedelsdami nuplaukite sąlyčio vietas švariu vandeniu. Jei reikia, kreipkitės į gydytoją.

- Jokiu būdu baterijų neardykite, nejunkite trumpuoju jungimu ir nemeskite į ugnį.

PASTABA! ŽALOS PAVOJUS!

- Saugokite gaminį nuo atviros ugnies, karštų paviršių, aukštos temperatūros ar oro reiškinių (pvz., lietaus) poveikio.
- Nebenaudokite gaminio, jei sutrūko, sulūžo ar deformavosi plastikinės dalys. Pažeistas dalis keiskite tik analogiškomis originaliomis atsarginėmis dalimis.

4 Gaminio ir komplekto tikrinimas

PASTABA! ŽALOS PAVOJUS!

- Neatsargiai atidarydami pakuotę aštrių peiliu ar kitais smailiais daiktais, galite greitai pažeisti gaminį. Atidarydami pakuotę būkite atsargūs.

1. Išimkite gaminį iš pakuotės.
2. Įsitinkite, ar pristatytame komplekte nieko netrūksta (žr. **A pav.**).
3. Patikrinkite, ar gaminys bei atsarginės dalys nepažeisti. Jei yra pažeidimų, gaminio nenaudokite. Kreipkitės į mūsų klientų aptarnavimo skyrių.

5 Įkrovimas

⚠ ĮSPĖJIMAS! SUŽALOJIMŲ PAVOJUS!

- Gaminiumi įkrauti naudokite tik kartu tiekiamą USB laidą.
- Gaminį įkraukite tik 0–40 °C temperatūroje.
- Įkrovę gaminį visada atjunkite jį nuo maitinimo šaltinio.



- Prieš pirmąjį naudojimą bei esant mažai baterijos galiai, gaminį įkraukite iki galo.
- Esant mažai baterijos galiai, ant gaminio esančios kontrolinės lemputės sumirksi 10 kartų prieš automatiškai užgesdamos. Įkraukite gaminį.
- Kol gaminys įkraunamas, jo naudoti negalima.
- Jei gaminį ilgesnį laiką laikote nenaudojamą, reguliariai patikrinkite baterijos būseną ir įkraukite ją.

1. Smulkesnį USB laido **9** galą įkiškite į gaminio įkrovimo lizdą **6**.
2. Platesnį USB laido galą įkiškite į tinkamo USB maitinimo šaltinio (maitinimo bloko) USB lizdą.
3. Prijunkite USB maitinimo bloką prie elektros tinklo lizdo.

Įkrovimo procesas pradedamas automatiškai. Patikrinkite programos kontrolines lemputes **5**, kurios šviečia ir įkraunant.

Viena kontrolinė lemputė = įkrauta 25 %

Dvi kontrolinės lemputės = įkrauta 50 %

Trys kontrolinės lemputės = įkrauta 75 %

Ketrios kontrolinės lemputės = visiškai įkrauta

4. Baigę įkrauti bateriją, atjunkite USB maitinimo bloką nuo tinklo lizdo ir ištraukite USB laido kištuką iš gaminio įkrovimo lizdo.

6 Montavimas

1. Atsekite guminės juostelės **8** lipukus ir prakiškite guminę juostelę pro angas rankų kaukės **1** šonuose (žr. 1 veiksmą **B pav.**).
2. Kad pritvirtintumėte guminę juostelę prie rankų kaukės, užsekite lipukus (žr. 2 veiksmą **B pav.**).

7 Valdymas

⚠ ĮSPĖJIMAS! SUŽALOJIMŲ PAVOJUS!

- Nenaudokite gaminio ilgiau nei 15 minučių vienu kartu.



Gaminio naudojimo atsargumo priemonės (žr. **C pav.**):

- Nedėkite sulankstyto gaminio.
- Naudojamo gaminio nelankstykite didesniu nei 90° kampu.
- Nedėkite ant gaminio sunkių daiktų.

7.1 Procedūra

1. Iki galo įkraukite gaminį ir tinkamai įverkite guminę juostelę **8** (žr. skyrius „Įkrovimas“ ir „Montavimas“).
2. Kruopščiai nuplaukite ir nusausinkite ranką. Įsitikinkite, kad ant rankos neliko makiažo ir nešvarumų.
3. Atsisėskite arba atsigulkite ir uždėkite rankų kaukę **1** ant rankos.
4. Jei reikia, pritaikykite guminės juostelės ilgį, kad rankų kaukė būtų patogiai uždėta ant rankos.
5. Paspauskite valdymo mygtuką **2**, kad įjungtumėte gaminį.

Įjungus gaminį standartiškai įjungiamas rankinis režimas ir nustatoma programa M1 (raudona spalva).

6. Jei reikia perjungti tarp automatinio ir rankinio režimų, spaudykite režimo mygtuką **3**.

Atsižvelgiant į parinktį, šviečia rankinio režimo kontrolinė lemputė **4** arba automatinio režimo kontrolinė lemputė **7**.

Informacijos apie gaminio naudojimą rankiniu režimu rasite skyriuje „Rankinis režimas“.

Informacijos apie gaminio naudojimą automatinio režimu rasite skyriuje „Automatinis režimas“.

7. Baigę procedūrą nuimkite rankų kaukę ir patepkite ranką serumu ir (arba) dieniniu ar naktiniu kremu.

7.2 Rankinis režimas

- Įjungus gaminį standartiškai įjungiamas rankinis režimas ir nustatoma programa M1 (raudona spalva).
- Jei norite pasirinkti kitą programą (M2, M3 arba M4), 1–3 kartus paspauskite valdymo mygtuką **2**. Ima šviesti atitinkamos programos kontrolinė lemputė **5**, nurodanti jūsų pasirinkimą.

Nurodymas. Paspaudus valdymo mygtuką ketvirtą kartą, gaminys išjungiamas.

- Parinkus rankinį režimą, įsižiebia rankinio režimo kontrolinė lemputė **4**.
- Programų funkcijos:

Programa	Šviesos diodas	Paskirtis
M1	Raudonas	Sumažina smulkias linijas ir raukšles, stimuliuoja kolageną ir gerina kraujotaką
M2	Mėlynas	Naikina aknę sukeliančias bakterijas ir reguliuoja riebalų sekreciją, kad oda būtų skaistesnė bei geresnės tekstūros
M3	Geltonas	Slopina paraudimus ir gydo bei ramina sausą ir jautrią odą
M4	Purpurinis	Slopina uždegimus, stabdo senėjimą ir suteikia odai gyvybingumo

- Procedūra trunka 10 minučių. Pasibaigus procedūros laikui, gaminys išsijungia automatiškai.
- Paspaudę ir palaikę valdymo mygtuką, gaminį galite išjungti bet kada.

7.3 Automatinis režimas

- Parinkus automatinį režimą įsižiebia automatinio režimo kontrolinė lemputė **7**.

- Automatinio režimu gaminys vykdo programas tokia eilės tvarka:

M1 (raudonas): 5 minutės

M2 (mėlynas): 3 minutės

M3 (geltonas): 4 minutės

M4 (mėlynas): 3 minutės

- Visa procedūra trunka 15 minučių. Pasibaigus procedūros laikui, gaminys išsijungia automatiškai.
- Paspaudę ir palaikę valdymo mygtuką **2** gaminį galite išjungti bet kada.

8 Naudojimo planas

Naudodami gaminį pirmą kartą, laikykitės tokio laiko plano:

Pirma savaitė	Kas 3 dienas po vieną kartą iki 10 minučių
Antra savaitė	Kas 2 dienas po vieną kartą iki 10 minučių
Trečia savaitė	Kas 2 dienas po vieną kartą iki 10–15 minučių
Ketvirta savaitė	Kasdien po vieną kartą iki 10–15 minučių

Pastebėję rezultatus pakeiskite dažnumą iki vieno ar dviejų kartų per savaitę.

9 Valymas

⚠ ĮSPĖJIMAS! ELEKTROS SMŪGIO PAVOJUS!

- Prieš valydami gaminį būtinai atjunkite jį nuo elektros srovės šaltinio.

PASTABA! ŽALOS PAVOJUS!

- Nenaudokite agresyvių valymo priemonių, šepetėlių metaliniais šeriais ir aštrių ar metalinių valymo įrankių, pavyzdžiui, peilių, kietų mentelių ir pan.
- Neplaukite karštu vandeniu.
- Rankų kaukę **1** nuvalykite drėgna šluoste ar vandenine valymo servetėle. Paskui nusausinkite sausa šluoste.

10 Laikymas

Prieš padėdami gaminį laikyti įsitikinkite, kad visos dalys yra sausos.

- Gaminį laikykite švarioje, sausoje ir nuo karščio bei tiesioginių saulės spindulių apsaugotoje vietoje.
- Gaminį laikykite vaikams nepasiekiamoje vietoje.
- Kad gaminys būtų maksimaliai apsaugotas, laikykite jį originalioje pakuotėje.

11 Trikčių paieška

Tam tikras problemas gali sukelti nedidelės triktys, kurias galite pašalinti patys. Tam laikykitės tolesnėje lentelėje pateiktų nurodymų. Jei problemos pašalinti nepavyko, kreipkitės į klientų aptarnavimo skyrių. Nebandykite remontuoti gaminio patys.

Triktis	Galima priežastis ir sprendimas
Gaminys neveikia.	<ul style="list-style-type: none">• Įsitikinkite, ar gaminys tinkamai įkrautas.• Įsitikinkite, kad gaminys neprijungtas prie USB elektros srovės šaltinio. Kol yra įkraunamas, gaminys neveikia.
Gaminio nepavyksta įkrauti.	<ul style="list-style-type: none">• Įsitikinkite, kad USB laidas 9 tinkamai prijungtas prie įkrovimo lizdo 6 ir USB elektros srovės šaltinio.

12 Techniniai duomenys

Modelis:	HAC01
Vardinė imamoji galia:	5 V === 1 A
Darbinė įtampa:	3,7 V
Baterijos talpa:	1 500 mAh, 5,55 Wh (ličio)
Šviesos diodų skaičius:	108
Svoris:	334 g
Matmenys (l × A × P):	387 × 185 × 52 mm

13 Atliekų tvarkymas

13.1 Pakuotės atliekų tvarkymas



Įšrūšiuokite pakuotės medžiagų atliekas. Popierių ir kartoną pridukite su popieriaus atliekomis, o plėveles – su perdirbamomis atliekomis.

13.2 Gaminio atliekų tvarkymas

(Taikoma Europos Sąjungoje ir kitose Europos šalyse, kuriose yra panašios perdirbamų atliekų rūšiavimo sistemos)



Draudžiama išmesti naudotą įrangą su buities atliekomis!

Jei gaminys nebegali būti naudojamas, **sutvarkykite jo atliekas laikydamiesi šalies ar regiono atliekų tvarkymo taisyklių.** Taip užtikrinsite, kad naudotos įrangos atliekos bus sutvarkytos tinkamai ir negalės pakenkti aplinkai. Todėl elektros įranga pažymėta šiuo simboliu.

Draudžiama išmesti baterijas ir akumuliatorius su buities atliekomis!



Teisės aktai jus, kaip galutinį naudotoją, įpareigoja visus akumuliatorius ir baterijas priduoti savivaldybės ar seniūnijos atliekų surinkimo punkte ar pardavėjui, kad jų atliekos būtų sutvarkytos tinkamai, neatsižvelgiant į tai, ar juose yra pavojingų medžiagų*, ar ne. Įsitikinkite, kad baterija yra išsikrovusi, ir pridukite visą gaminį (su baterija) surinkimo punkte!

*žymėjimas: Cd = kadmis, Hg = gyvsidabris, Pb = švinas

I4 Garantijos informacija

Šiam gaminiui pagal Europos taisykles ir teisės aktus suteikiama 2 metų garantija. Šiam gaminiui suteikiama garantija taikoma tik defektams, atsiradusiems dėl gamybos klaidų. Jei norite pareikšti pretenzijas dėl garantijos, kreipkitės į mūsų klientų aptarnavimo skyrių. Gali būti, kad jam pavyks išspręsti problemas ir nereikės siųsti gaminio į parduotuvę ar mūsų techninės priežiūros centrą. Mūsų klientų aptarnavimo skyrius pasiruošęs jums padėti!

I5 Klientų aptarnavimo skyrius

Daugiau informacijos apie Silk'n gaminius rasite savo regiono interneto svetainėje: www.silkn.eu. Jei įrenginys yra pažeistas, turi trūkumų, reikia remonto arba mūsų pagalbos, kreipkitės į artimiausią mūsų klientų aptarnavimo skyrių. Šį naudotojo vadovą galite atsisiųsti kaip PDF failą iš www.silkn.eu.

Priežiūros Nr.: +31 (0) 180-330550

El. paštas: info@silkn.eu

Jogi nyilatkozat

A Invention Works B.V. fenntartja magának a jogot, hogy teljesítménynövelési, üzembiztonsági vagy gyárt-hatósági szempontokból a termékein vagy a specifiká-ción változtatásokat végezhesen. A Invention Works B.V. által rendelkezésre bocsátott információk a közzététel időpontjában pontosnak és megbízhatónak tekinthetők. Felhasználásukat illetően a Invention Works B.V. mindazonáltal semmiféle felelősséget nem vállal. Sem hallgatólágon, sem a Invention Works B.V. szabadalma, sem szabadalmi joga nem nyújt enge-délyt.

A dokumentum egyetlen része sem, semmilyen formában, sem elektronikus, sem mechanikus eszközzel semmilyen célra nem sokszorosítható és nem továbbítható a Invention Works B.V. határozott írásos engedélye nélkül. Az adatok előzetes bejelentés nélkül változhatnak.

A Silkn Beauty Ltd. rendelkezik olyan szabadalmakkal, valamint függőben levő szabadalmi bejelentésekkel, védjegyekkel, szerzői jogokkal és egyéb jogokkal, amelyek a dokumentum tárgyát képezik. A doku-mentum rendelkezésre bocsátásával semmiképpen nem kap semmilyen engedélyt ezekre a szabadal-makra, védjegyekre, szerzői jogokra és egyéb szel-lemi tulajdonjogokra, hacsak azt a Silkn Beauty Ltd. céggel kötött írásos megállapodás nem szabályozza. A műszaki adatok előzetes bejelentés nélkül változ-hatnak.

A Silk'n és a Silk'n logó a Silkn Beauty Ltd. bejegyzett védjegye.

Invention Works B.V.
Galileistraat 17, 3029 AL Rotterdam, Hollandia
www.silkn.eu - info@silkn.eu

Tartalomjegyzék

1	A csomag tartalma/a készülék részei	88
2	Általános tudnivalók	88
2.1	Olvassa el és őrizze meg a használati utasítást	88
2.2	Jelölések magyarázata	88
3	Biztonság	88
3.1	Rendeltetésszerű használat	88
3.2	Biztonsági utasítások	88
4	A termék és a csomag tartalmának ellenőrzése	89
5	Töltés	89
6	Összeszerelés	90
7	Használat	90
7.1	A program végrehajtása	90
7.2	Kézi üzemmód	90
7.3	Automatikus üzemmód	91
8	Alkalmazási terv	91
9	Tisztítás	91
10	Tárolás	91
11	Hibakeresés	91
12	Műszaki adatok	91
13	Ártalmatlanítás	91
13.1	A csomagolás ártalmatlanítása	91
13.2	A termék ártalmatlanítása	92
14	Jótállási információk	92
15	Ügyfélszolgálat	92

I A csomag tartalma/a készülék részei

- 1 Kézmaszk
- 2 Kezelőgomb
- 3 Üzem módválasztó gomb
- 4 Kézi üzemmód ellenőrzőlámpa
- 5 Program ellenőrző lámpája, 4 db
- 6 Töltőcsatlakozás
- 7 Automatikus üzemmód ellenőrzőlámpa
- 8 Gumipánt
- 9 USB-kábel

2 Általános tudnivalók

2.1 Olvassa el és őrizze meg a használati utasítást



Ez a használati útmutató a LED Hand Mask (LED-es kézmaszk) (a továbbiakban: „termék”) tartozéka. Fontos tudnivalókat tartalmaz az üzembe helyezéssel és

használattal kapcsolatban.

A termék használata előtt figyelmesen olvassa el a használati utasítást. Ez különösen vonatkozik a biztonsági utasításokra. A használati utasítás figyelmen kívül hagyása sérülésekhez vagy a termék károsodásához vezethet. A használati útmutató az Európai Unióban és az Egyesült Királyságban érvényes szabványok és szabályozások alapján készült. Vegye figyelembe az adott országban érvényes irányelveket és törvényeket is. Őrizze meg a használati utasítást a későbbi használatra. Ha a terméket továbbadja, feltétlenül mellékelje a használati utasítást is.

2.2 Jelölések magyarázata

A használati utasításban, a terméken és a csomagoláson a következő jelöléseket használtuk.

⚠ FIGYELMEZTETÉS!

A jelzőszimbólum/-szó közepes kockázatú veszélyt jelöl, amelyet ha nem kerülnek el, súlyos, akár halálos sérüléshez vezethet.

ÉRTESELTETÉS!

Ez a figyelmeztetés a lehetséges anyagi károokra vonatkozik.



Ez a jel a kezeléssel és a használatról nyújt hasznos, kiegészítő információkat.



Olvassa el a használati útmutatót.



Megfelelőségi nyilatkozat: Az itt látható jellel ellátott termékek teljesítik az Európai Gazdasági Térség összes vonatkozó közösségi jogszabályát.



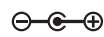
Megfelelőségi nyilatkozat: Az ezzel a szimbólummal jelölt termékek megfelelnek az Egyesült Királyság összes alkalmazandó előírásának.



Ez a jel jelöli az egyenáram névleges feszültségét és névleges áramerősségét.



Az ilyen jellel jelölt készülékek csak háztartási használatra (száraz beltérbe) alkalmasak.



Ez a szimbólum a töltőcsatlakozás polaritását jelzi.

3 Biztonság

3.1 Rendeltetészerű használat

A termék kizárólag a bőr rugalmasságának és struktúrájának helyreállítására szolgál. Ezenkívül segít a finom vonalak, ráncok és más bőrhibák csökkentésében. Kizárólag személyes használatra készült, ipari használatra nem alkalmas.

A terméket kizárólag a használati útmutatónak megfelelően használja. A rendeltetésellenes használat anyagi kárhoz, személyi sérüléshez vezethet. A gyártó a rendeltetésellenes vagy hibás használatból eredő károkkért és sérülésekért nem vállal felelősséget.

3.2 Biztonsági utasítások

⚠ FIGYELMEZTETÉS! ÁRAMÜTÉS VESZÉLYE!

- A terméket csak a mellékelt USB-kábellel használja.
- A termék USB-kábelét csak olyan alkalmas tápegységre (az IEC/EN 60335 szabvány szerint tanúsított SELV feszültségforrás) csatlakoztassa, amelyet könnyen hozzáférhető dugaszoló aljzatba dugtak, hogy üzemzavar esetén gyorsan le tudja választani az elektromos hálózatról.
- Ne helyezze üzembe a terméket, ha sérülést lát rajta vagy az USB-kábel meghibásodott.
- Ne nyissa fel a készülék házát, bízza szakemberre a javítást. Ezzel forduljon az ügyfélszolgálathoz. Nem érvényesíthető garanciális és jótállási igény önhatalmúan végzett javítás, szakszerűtlen csatlakoztatás vagy hibás kezelés esetén.
- Javításánál csak olyan alkatrészeket szabad használni, amelyek megfelelnek az eredeti készülékadatoknak. A termékben olyan elektromos és mechanikus részegységek

találhatóak, amelyek nélkülözhetetlenek a veszélyforrások elleni védelemhez.

- Nem merítse a terméket vagy az USB-kábelt vízbe vagy más folyadékba. Tartsa ezeket víztől távol.
- Mindig kapcsolja ki a terméket, ha nem használja, illetve tisztítás vagy üzemzavar esetén. Mindig húzza ki az USB-kábelt, amikor nem tölti a terméket.
- Soha ne érjen az USB-kábelhez vizes vagy nedves kézzel.
- Ne dugjon tárgyakat a készülékbe.
- A terméket és tartozékait tartsa távol a nyílt lángtól és forró felületektől.
- Úgy vezesse az USB-kábelt, hogy senki ne essen el benne.
- Az USB-kábelt ne a kábelnél, hanem mindig a kábel dugójánál fogva húzza ki a tápegységből.
- Ne törje meg az USB-kábelt, és ne helyezze éles szegélyekre.
- A terméket csak beltéri helyiségekben használja.
- Ne használja a terméket töltés közben.

⚠ FIGYELMEZTETÉS! SÉRÜLÉSVESZÉLY!

- Korlátozott fizikai, érzékelési vagy szellemi képességű személyek, továbbá olyanok, akik nem rendelkeznek megfelelő tapasztalattal és tudással, csak felügyelet mellett, illetve abban az esetben használhatják ezt a terméket, ha eligazítást kaptak a termék biztonságos használatára vonatkozóan és megértették az azzal kapcsolatos veszélyeket. Gyermekek nem játszhatnak a termékkel. A tisztítást és felhasználói karbantartást nem hajthatják végre gyermekek.
- Tartsa távol a gyermekeket a terméktől és az USB-kábeltől.
- A terméket nem használhatják várandós nők, gyermekek, epilepsziában szenvedők, pajzsmirigybetegség, pajzsmirigy-gyógyszert szedő személyek, fotoallergiában szenvedő, illetve fotoallergiás kezelésére szolgáló gyógyszert szedő személyek.
- A termék nem használható bőrbetegségek, gennyesedés, baleset következtében fellépő és műtét utáni sebek esetén.
- Ne használja a terméket programonként 15 percnél hosszabb ideig.
- Forduljon orvosához, ha nem lenne biztos benne, hogy használhatja-e a terméket.

- Ha rosszul érezné magát, bármilyen rendellenes reakciót tapasztalna (pl. viszketés vagy kellemetlen gyulladások), illetve bőre kellemetlenül felmelegedne, akkor azonnal hagyja abba a termék használatát.
- Szakszerűtlen alkalmazás esetén az akkumulátorból folyadék szivároghat – kerülje az ezzel való érintkezést. Az akkumulátorokból kilépő folyadék irritációt vagy marási sérüléseket okozhat.
- A bőr, szem vagy nyálkahártya akkumulátorfolyadékkal történő érintkezése esetén haladéktalanul mossa le és öblítse le tiszta vízzel az érintett területeket. Szükség esetén forduljon orvoshoz.
- Az akkumulátorokat tilos szétszerelni, rövidre zárni vagy tűzbe dobni.

ÉRTESELTETÉS! KÁROSODÁS VESZÉLYE!

- Tartsa távol a terméket a nyílt lángtól, forró felületektől, magas hőmérséklettől vagy időjárási hatásoktól (pl. eső).
- Ne használja a terméket, ha a műanyag részek repedtek, töröttek vagy deformálódtak. A sérült elemeket kizárólag eredeti cserealkatrészekkel pótolja.

4 A termék és a csomag tartalmának ellenőrzése

ÉRTESELTETÉS! KÁROSODÁS VESZÉLYE!

- Ha a csomagolást figyelmetlenül, éles késsel vagy más hegyes tárggyal nyitja ki, a termék könnyen megsérülhet. A csomagolás kinyitásakor óvatosan járjon el.
1. Vegye ki a terméket a csomagolásból.
 2. Győződjön meg a csomag hiánytalanságáról (lásd **A ábra**).
 3. Ellenőrizze, hogy nem láthatók-e sérülések a terméken vagy bármely részén. Amennyiben igen, ne használja a terméket. Forduljon ügyfélszolgálatunkhoz.

5 Töltés

⚠ FIGYELMEZTETÉS! SÉRÜLÉSVESZÉLY!

- A töltéshez csak a mellékelt USB-kábelt használja.
- A terméket csak 0 és 40 °C közötti hőmérsékleten töltse.
- A töltési folyamat befejezése után mindig válassza le a terméket az áramellátásról.



- Az első használat előtt és alacsony akkumulátortöltöttség esetén töltsse fel teljesen a terméket.
- Alacsony akkumulátortöltöttség esetén a termék ellenőrzőlámpái 10-szer villognak, majd automatikusan kialszanak. Töltsse fel a terméket.
- Töltés közben a termék nem használható.
- A termék hosszabb ideig történő tárolása esetén ellenőrizni kell az akkumulátor töltöttségi szintjét és rendszeresen fel kell tölteni a terméket.

1. Dugja az USB-kábel **9** kisebb végét a termék töltőcsatlakozójába **6**.
2. Csatlakoztassa az USB-kábel nagyobbik végét egy alkalmas USB-áramforrás (pl. USB-tápegység) USB-csatlakozójára.
3. A töltéshez dugja az USB-tápegységet egy dugaszoló aljzatba.
A töltési folyamat automatikusan elindul. Ellenőrizze a program ellenőrző lámpáit **5**, amelyek a töltési folyamat során továbbra is világítanak.
Egy ellenőrzőlámpa = 25 %-os töltöttség
Kettő ellenőrzőlámpa = 50 %-os töltöttség
Három ellenőrzőlámpa = 75 %-os töltöttség
Négy ellenőrzőlámpa = teljesen feltöltve
4. A töltési folyamat befejezését követően húzza ki az USB-tápegységet a dugaszoló aljzataból, az USB-kábelt pedig húzza ki a termék töltőcsatlakozójából.

6 Összeszerelés

1. Nyissa ki a gumipánt **8** tépőzárait, és vezesse át a gumipántot a kézmaszk **1** oldalán található nyílásokon (lásd a **B. ábra** 1. lépését).
2. Zárja le a tépőzárakat a gumipánt kézmaszkra történő rögzítéséhez (lásd a **B. ábra** 2. lépését).

7 Használat

⚠ FIGYELMEZTETÉS! SÉRÜLÉSVESZÉLY!

- Ne használja a terméket programonként 15 percnél hosszabb ideig.



A termék használatára vonatkozó óvintézkedések (lásd **C ábra**):

- Ne tegye le a terméket összehajtván.
- Használat közben ne hajtsa össze a terméket 90°-nál nagyobb mértékben.
- Ne helyezzen nehéz tárgyakat a termékre.

7.1 A program végrehajtása

1. Töltsse fel teljesen a terméket, és helyezze fel szabályszerűen a gumipántot **8** (lásd a „Töltés” és „Összeszerelés” c. fejezetet).
2. Alaposan tisztítsa meg és szárítsa meg a kezét. Győződjön meg róla, hogy a keze sminktől és szennyeződéstől mentes.
3. Üljön le vagy feküdjön le, és helyezze a kézmaszkot **1** a kezére.
4. Szükség esetén állítsa be a gumipánt hosszát úgy, hogy a kézmaszk kényelmesen illeszkedjen a kezére.
5. A termék bekapcsolásához nyomja meg a kezelőgombot **2**.

Alapértelmezés szerint a termék bekapcsolás után kézi üzemmódba kapcsol, és az M1 programot (piros) választja ki.

6. Szükség esetén nyomja meg többször az üzemmódválasztó gombot **3** az automatikus és kézi üzemmód közötti váltáshoz.

Választásától függően kigyullad a kézi üzemmód ellenőrzőlámpája **4** vagy az automatikus üzemmód jelzőfénye **7**.

A manuális üzemmód használatára vonatkozóan a „Kézi üzemmód” című fejezetben található információkat.

Az automatikus üzemmód használatára vonatkozóan az „Automatikus üzemmód” című fejezetben található információkat.

7. A program után vegye le a kézmaszkot, és kenje be a kezét szérummal és/vagy nappali/éjszakai krémmel.

7.2 Kézi üzemmód

- Alapértelmezés szerint a termék bekapcsolás után kézi üzemmódba kapcsol, és az M1 programot (piros) választja ki.
- Ha más programot szeretne használni (M2, M3 vagy M4), akkor a kiválasztáshoz nyomja meg a kezelőgombot **2** 1–3 alkalommal. A program megfelelő ellenőrző lámpája **5** bekapcsol, és megjelenik a felhasználó választása.

Megjegyzés: Ha negyedszer is megnyomja a kezelőgombot, a termék kikapcsol.

- Kézi üzemmódban világít a kézi üzemmód ellenőrzőlámpája **4**.
- A programok funkciói:

Program	LED	A legalkalmasabb erre
M1	Piros	Csökkenti a finom vonalakat és ráncokat, stimulálja a kollagént és javítja a vérkeringést
M2	Kék	Csökkenti az aknéval kapcsolatba hozható bőrpírt és foltokat, és tisztább bőrről gondoskodik

Program	LED	A legalkalmasabb erre
M3	Sárga	Javítja a bőr nedvesség-háztartását, és nyugtatja a száraz és érzékeny bőrt
M4	Lila	Megelőzi a bőr öregedését, és csökkenti a foltokat, javítja a bőr vitalitását és ragyogását

- A program 10 percig tart. A program időtartamának lejártá után a termék automatikusan kikapcsol.
- A kezelógombot lenyomva tartva bármikor kikapcsolhatja a terméket.

7.3 Automatikus üzemmód

- Automatikus üzemmódban világít az automatikus üzemmód ellenőrzőlámpája **7**.
- Automatikus üzemmódban a termék a következő sorrendben hajtja végre a programokat:
M1 (piros): 5 perc
M2 (kék): 3 perc
M3 (sárga): 4 perc
M4 (lila): 3 perc
- A teljes program 15 percig tart. A program időtartamának lejártá után a termék automatikusan kikapcsol.
- A kezelógombot **2** lenyomva tartva bármikor kikapcsolhatja a terméket.

8 Alkalmazási terv

A termék első használata során kövesse a következő ütemtervet:

Első hét	3 naponta egyszeri használat, max. 10 percig
Második hét	2 naponta egyszeri használat, max. 10 percig
Harmadik hét	2 naponta egyszeri használat, max. 10–15 percig
Negyedik hét	Minden nap, max. 10–15 percig

Ha már lát eredményeket, akkor módosítsa a gyakoriságot heti egy vagy két alkalomra.

9 Tisztítás

⚠ FIGYELMEZTETÉS! ÁRAMÜTÉS VESZÉLYE!

- Tisztítás előtt mindig válassza le a terméket az áramforrásról.

ÉRTESELTETÉS! KÁROSODÁS VESZÉLYE!

- Ne használjon agresszív tisztítószert, fém sörtéjű keféket, illetve olyan éles vagy fém tisztítóeszközöket, mint kés, kemény spatula és más hasonló eszközök.

- A tisztításhoz ne használjon forró vizet.
- Törölje le a kézmaszkot **1** egy nedves kendővel vagy vízbázisú tisztítókendővel. Ezután törölje szárazra egy száraz kendővel.

10 Tárolás

A tárolás előtt minden alkatrésznek teljesen száraznak kell lennie.

- A terméket hőtől és közvetlen napfénytől védett tiszta és száraz helyen tárolja.
- A terméket gyermekek számára hozzá nem férhető helyen tárolja.
- A lehető legjobb védelem érdekében tartsa a terméket eredeti csomagolásában.

11 Hibakeresés

Lehet, hogy bizonyos problémák csak olyan kisebb mértékű zavart okoznak, amelyeket Ön is el tud hárítani. Kövesse az alábbi táblázatban ismertetett utasításokat. Amennyiben nem tudja elhárítani a problémát, forduljon az ügyfélszolgálathoz. Ne próbálkozzon saját maga a termék javításával.

Hiba	Lehetséges ok és elhárítás
A termék nem működik.	<ul style="list-style-type: none"> • Győződjön meg róla, hogy a termék szabályszerűen fel van töltve. • Győződjön meg róla, hogy a termék nincs USB-áramforráshoz csatlakoztatva. A termék nem működik töltés közben.
A termék nem tölthető.	<ul style="list-style-type: none"> • Győződjön meg róla, hogy az USB-kábel 9 biztosan csatlakozik a töltőcsatlakozásra 6 és az USB-áramforrásra.

12 Műszaki adatok

Modell:	HAC01
Névleges bemenőteljesítmény	5 V === 1 A
Üzemi feszültség	3,7 V
Akkumulátorkapacitás:	1 500 mAh, 5,55 Wh (lítium)
LED lámpák száma:	108
Tömeg:	334 g
Méret (H × M × Sz):	387 × 185 × 52 mm

13 Ártalmatlanítás

13.1 A csomagolás ártalmatlanítása



A csomagolás ártalmatlanítását szelektív módon végezze. A kartont és a papírt a papír, a fóliát a műanyag gyűjtésére szolgáló szelektív hulladékgyűjtőbe tegye.

13.2 A termék ártalmatlanítása

(Az Európai Unión belül alkalmazandó, illetve azokban az országokban, ahol van szelektív hulladékgyűjtés)



Az elhasznált készüléket a háztartási hulladéktól különválasztva kell ártalmatlanítani!

Amennyiben a termék használhatatlanná válik, **azt az országában érvényes**

rendelkezéseknek megfelelően ártalmatlanítsa. Így biztosítható a kidobott készülékek szakszerű újrahasznosítása, és így elkerülhetők a környeztkárosító hatások. Ezért vannak ellátva az elektromos készülékek az itt látható jelöléssel.

Az elemeket és akkumulátorokat tilos a háztartási hulladékkal együtt ártalmatlanítani!



Végfelhasználóként Ön törvényileg kötelezett arra, hogy minden elemet és akkumulátort – függetlenül attól, hogy azok tartalmaznak-e veszélyes anyagokat* vagy sem – települé-

sének/kerületének gyűjtőhelyén vagy egy kereskedőnél adjon le azok környezetbarát módon történő ártalmatlanítása érdekében.

Vigye a teljes terméket (az akkumulátorral együtt) a gyűjtőhelyére, és győződjön meg arról, hogy az akkumulátor lemerült!

*a következő jelzéssel: Cd = kadmium, Hg = higany, Pb = ólom

14 Jótállási információk

A termékhez az európai szabályozásoknak és törvények szerint 2 éves jótállás tartozik. A termék esetében a jótállás gyártási hiba által okozott műszaki hiányosságokra korlátozódik. Ha jótállási igényt szeretne érvényesíttetni, akkor előtte ne feledjen ügyfélszolgálatunkkal egyeztetni. Előfordulhat, hogy meg tudják oldani a problémát anélkül, hogy a terméket az üzletbe vagy a szervizközpontba vissza kellene küldeni. Ügyfélszolgálatunk mindig készségesen segít!

15 Ügyfélszolgálat

További információk a Silk'n termékekről a regionális Silk'n weboldalon található: www.silkn.eu. Ha a készülék megrongálódik vagy meghibásodik, javításra szorul, vagy segítségünkre van szükség, forduljon a legközelebbi Silk'n szervizközpontunkhoz. Ez a használati útmutató a www.silkn.eu weboldalról PDF formátumban is letölthető.

Szerviz telefonszám: +31 (0) 180-330550

E-mail: info@silkn.eu

Observații juridice

Invention Works B.V. își rezervă dreptul de a modifica produsele sau specificațiile produselor, în scopul îmbunătățirii puterii, siguranței de funcționare sau a procesului de producție. Informațiile comunicate de Invention Works B.V. în momentul publicării sunt corecte și de încredere. Invention Works B.V. este exonerat de orice răspundere în cazul utilizării acestor informații. Patentele Invention Works B.V. nu implică, nici implicit, acordarea unei licențe.

Reproducerea sau transferarea parțială sau totală a prezentului document sub orice formă sau prin modalități electronice sau mecanice, pentru orice scopuri este interzisă fără acordul scris al Invention Works B.V. Drepturile de modificare a datelor fără notificare prealabilă sunt rezervate.

Silk'n Beauty Ltd. dispune de patente, de patente în curs de înregistrare, de mărci înregistrate, de drepturi de autor sau de alte drepturi și proprietăți intelectuale, menționate în prezentul document. Prezentul document nu conferă licențe pentru aceste patente, mărci înregistrate, drepturi de autor sau alte drepturi și drepturi de proprietate intelectuală, în limita în care acest aspect nu este convenit altfel în scris cu Silk'n Beauty Ltd. Ne rezervăm dreptul la orice modificare a datelor tehnice, fără notificare prealabilă.

Silk'n și logo-ul Silk'n sunt mărci înregistrate ale Silk'n Beauty Ltd.

Invention Works B.V.
Galileistraat 17, 3029 AL Rotterdam, Olanda
www.silkn.eu - info@silkn.eu

Cuprins

1	Pachetul de livrare/componentele aparatului	94
2	Generalități	94
2.1	Citirea și păstrarea instrucțiunilor de utilizare	94
2.2	Explicații privind simbolurile	94
3	Siguranța	94
3.1	Utilizarea conformă cu destinația	94
3.2	Indicații de siguranță	94
4	Verificarea produsului și a pachetului de livrare	95
5	Încărcarea	96
6	Montarea	96
7	Operarea	96
7.1	Efectuarea ședinței	96
7.2	Modul manual	96
7.3	Modul automat	97
8	Plan de aplicare	97
9	Curățarea	97
10	Depozitarea	97
11	Identificarea defectiunilor	97
12	Date tehnice	98
13	Eliminarea	98
13.1	Eliminarea ambalajului	98
13.2	Eliminarea produsului	98
14	Informații privind garanția	98
15	Serviciul pentru clienți	98

I Pachetul de livrare/ componentele aparatului

- 1 Mască pentru mână
- 2 Buton de operare
- 3 Butonul Mod
- 4 Indicator luminos pentru modul manual
- 5 Indicator luminos cu program, 4x
- 6 Port de încărcare
- 7 Indicator luminos pentru modul automat
- 8 Bandă de cauciuc
- 9 Cablu USB

2 Generalități

2.1 Citirea și păstrarea instrucțiunilor de utilizare



Aceste instrucțiuni de utilizare aparțin acestei LED Hand Mask (mască cu LED pentru mână) (denumită în continuare „produs”). Acesta conține informații

importante privind punerea în funcțiune și utilizarea. Înainte de a utiliza produsul, citiți cu atenție și complet instrucțiunile de utilizare. Acest lucru se aplică în special pentru indicațiile de siguranță. Nerespectarea acestor instrucțiuni de utilizare poate cauza leziuni sau deteriorări ale produsului. Instrucțiunile de utilizare se bazează pe standardele și normele aplicabile în Uniunea Europeană și în Regatul Unit. Țineți cont în străinătate de legislația și directivele din țara respectivă. Păstrați instrucțiunile de utilizare în scopul utilizării ulterioare. Dacă înstrăinați produsul unui terț, predați-l întotdeauna împreună cu aceste instrucțiuni de utilizare.

2.2 Explicații privind simbolurile

Simbolurile și cuvintele menționate în continuare sunt incluse atât în aceste instrucțiuni de utilizare, cât și pe produs sau pe ambalajul acestuia.

! AVERTISMENT!

Acest simbol/cuvânt de atenționare desemnează un pericol de risc mediu, care dacă nu este evitat poate cauza deces sau leziuni grave.

INDICAȚIE!

Acest cuvânt de atenționare atrage atenția asupra riscului de pagube materiale.



Acest simbol de atenționare indică informații suplimentare utile referitoare la manipulare și la utilizare.



Citiți instrucțiunile de utilizare.



Declarație de conformitate: Produsele prevăzute cu acest simbol îndeplinesc toate prevederile comunitare aplicabile în spațiul economic european.



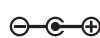
Declarație de conformitate: Produsele marcate cu acest simbol sunt conforme cu toate reglementările aplicabile în Regatul Unit.



Acest simbol indică tensiunea nominală și curentul nominal pentru curentul continuu.



Acest simbol este folosit exclusiv în cazul aparatelor electrice (în spații închise uscate).



Acest simbol indică polaritatea portului de încărcare.

3 Siguranța

3.1 Utilizarea conformă cu destinația

Produsul este conceput exclusiv pentru a reda elasticitatea și structura pielii dumneavoastră. În plus, ajută la reducerea liniilor fine, a ridurilor și a altor imperfecțiuni ale pielii. Acesta este destinat exclusiv uzului privat, nefiind adecvat sectorului comercial.

Folosiți produsul exclusiv conform mențiunilor din aceste instrucțiuni de utilizare. Orice altă utilizare se consideră neconformă destinației și poate duce la daune materiale sau la vătămări corporale. Producătorul nu își asumă nicio răspundere pentru daunele sau leziunile rezultate în urma utilizării incorecte sau neconforme destinației.

3.2 Indicații de siguranță

! AVERTISMENT! PERICOL DE ELECTROCUTARE!

- Utilizați produsul numai cu cablul USB furnizat.
- Conectați cablul USB al produsului numai la o sursă de alimentare adecvată (sursă de tensiune SELV certificată IEC/EN 60335), care la rândul ei este conectată la o priză de curent ușor accesibilă, astfel încât să o puteți deconecta rapid de la rețea în cazul unei defecțiuni.
- Nu utilizați produsul dacă este deteriorat sau dacă cablul USB este defect.
- În cazul în care carcasa nu poate fi deschisă, vă rugăm apelați la personal specializat pentru lucrări de reparație. Pentru aceasta, contactați serviciul pentru clienți. Garanția și obligația de asumare a răspunderii devin nule în cazul în care reparațiile sunt efectuate de către client sau dacă aparatul este conectat sau utilizat necorespunzător.

- Pentru reparații folosiți numai piese care corespund specificațiilor originale ale aparatului. Acest produs conține componente electrice și mecanice esențiale pentru protecția împotriva surselor de pericole.
- Nu scufundați produsul sau cablul USB în apă sau în alte lichide. Păstrați-le departe de apă.
- Decuplați întotdeauna produsul atunci când nu îl utilizați, când îl curățați sau când există o defecțiune. Deconectați întotdeauna cablul USB atunci când nu încărcați produsul.
- Nu prindeți niciodată cablul USB cu mâinile ude sau umede.
- Este interzisă introducerea obiectelor în carcasă.
- Țineți toate componentele produsului departe de flăcări deschise și de suprafețele fierbinți.
- Așezați cablul USB în așa fel, încât să nu constituie un pericol prin împiedicare.
- Nu trageți de cablul USB pentru a-l scoate din sursa de alimentare, ci prindeți întotdeauna de ștecherul cablului.
- Evitați îndoirea cablului USB și așezarea acestuia pe muchii ascuțite.
- Folosiți produsul doar în spații interioare.
- Nu utilizați produsul în timpul încărcării.

! AVERTISMENT! PERICOL DE VĂTĂMARE!

- Acest produs poate fi utilizat de persoane cu capacități fizice, senzoriale sau mentale reduse sau cu lipsă de experiență și cunoștințe, dacă acestea au fost supravegheate sau instruite cu privire la utilizarea produsului în condiții de siguranță și dacă înțeleg pericolele implicate. Copiii nu au voie să se joace cu produsul. Curățarea și întreținerea de către utilizator nu trebuie să fie efectuate de către copii.
- Țineți copiii departe de produs și de cablul USB.
- Produsul nu trebuie utilizat de femeile însărcinate, copii, persoane cu epilepsie, persoane cu afecțiuni tiroidiene, persoane care iau medicamente pentru tiroidă, persoane fotoalergice sau persoane care iau medicamente pentru tratarea unei alergii la lumină.
- Produsul nu trebuie utilizat în cazul bolilor de piele, al supurațiilor, al rănilor accidentale și postoperatorii.
- Nu utilizați produsul mai mult de 15 minute pe ședință.

- Consultați medicul dumneavoastră dacă nu sunteți sigur că puteți utiliza produsul.
- Dacă vă simțiți inconfortabil, dacă aveți reacții anormale (de exemplu, mâncărimi sau inflamații neplăcute) sau dacă pielea dumneavoastră se încălzește în mod neplăcut, nu mai utilizați produsul începând din acest moment.
- În cazul unei utilizări necorespunzătoare, din baterie se poate scurge lichid – evitați contactul cu acesta. Lichidul care se scurge din baterii poate provoca iritații sau arsuri.
- În caz de contactului pielii, ochilor sau mucoaselor cu lichidul bateriei, spălați și clătiți imediat zonele afectate cu apă curată. Dacă este necesar, consultați un medic.
- Bateriile nu trebuie să fie demontate, scurtcircuitate sau aruncate în foc.

INDICAȚIE! PERICOL DE DETERIORARE!

- Țineți produsul departe de flăcări deschise, suprafețe fierbinți, temperaturi ridicate sau intemperii (de exemplu, ploaie).
- Nu mai folosiți produsul dacă piesele de plastic sunt crăpate, rupte sau deformate. Pentru înlocuirea pieselor componente deteriorate folosiți piese componente originale.

4 Verificarea produsului și a pachetului de livrare

INDICAȚIE! PERICOL DE DETERIORARE!

- Dacă la deschiderea ambalajului utilizați cu imprudență un cuțit sau alte obiecte ascuțite, este posibil să deteriorați rapid produsul. Procedați cu deosebită atenție la deschidere.

1. Scoateți produsul din ambalaj.
2. Asigurați-vă că livrarea este completă (a se vedea **Fig. A**).
3. Asigurați-vă că produsul și piesele componente nu prezintă semne de deteriorare. În asemenea cazuri, folosirea produsului este interzisă. Contactați în acest caz serviciul nostru pentru clienți.

5 Încărcarea

⚠️ AVERTISMENT! PERICOL DE VĂTĂMARE!

- Utilizați numai cablul USB furnizat pentru încărcare.
- Încărcați produsul numai la temperaturi cuprinse între 0 și 40 °C.
- Deconectați întotdeauna produsul de la sursa de alimentare electrică după ce ați terminat încărcarea.

- i**
- Încărcați complet produsul înainte de prima utilizare și atunci când puterea acumulatorului este scăzută.
 - Când acumulatorul este descărcat, indicatoarele luminoase de pe produs clipeșc de 10 ori înainte de a se stinge automat. Încărcați produsul.
 - Produsul nu poate fi utilizat în timpul încărcării.
 - Dacă produsul este depozitat pentru o perioadă lungă de timp, trebuie verificat nivelul bateriei și trebuie încărcat în mod regulat.

1. Conectați capătul mai mic al cablului USB **9** în portul de încărcare **6** al produsului.
2. Conectați capătul mai mare al cablului USB la portul USB al unei surse de alimentare USB adecvate (de exemplu, o sursă de alimentare USB).
3. Conectați sursa de alimentare USB la o priză pentru încărcare.
Procesul de încărcare începe automat. Verificați indicatoarele luminoase cu program **5**, care rămân aprinse în timpul procesului de încărcare.
Un indicator luminos = încărcat până la 25 %
Două indicatoare luminoase = încărcat până la 50 %
Trei indicatoare luminoase = încărcat până la 75 %
Patru indicatoare luminoase = încărcat complet
4. Când încărcarea este completă, deconectați sursa de alimentare USB de la priză și deconectați cablul USB de la portul de încărcare al produsului.

6 Montarea

1. Deschideți închizătoarele Velcro de pe banda de cauciuc **8** și treceți banda de cauciuc prin deschiderile de pe părțile laterale ale măștii pentru mână **1** (a se vedea pasul 1 din **Fig. B**).
2. Închideți închizătoarele Velcro pentru a fixa banda de cauciuc la masca pentru mână (a se vedea pasul 2 din **Fig. B**).

7 Operarea

⚠️ AVERTISMENT! PERICOL DE VĂTĂMARE!

- Nu utilizați produsul mai mult de 15 minute pe ședință.

- i**
- Măsuri de precauție privind utilizarea produsului (a se vedea **Fig. C**):
- Nu așezați produsul pliat.
 - Nu pliați produsul la mai mult de 90° în timpul utilizării.
 - Nu așezați obiecte grele pe produs.

7.1 Efectuarea ședinței

1. Încărcați complet produsul și atașați corect banda de cauciuc **8** (a se vedea capitolul „Încărcarea” și „Montarea”).
2. Curățați-vă și uscați-vă bine mâna. Asigurați-vă că nu are urme de machiaj și murdărie.
3. Stați jos sau întindeți-vă și așezați masca pentru mână **1** pe mâna dumneavoastră.
4. Dacă este necesar, reglați lungimea benzii de cauciuc, astfel încât masca pentru mână să se potrivească confortabil pe mână.
5. Apăsăți butonul de operare **2** pentru a porni produsul.
În mod implicit, produsul trece în modul manual după pornire și este selectat programul M1 (roșu).
6. Dacă este necesar, apăsați butonul de mod **3** de mai multe ori, pentru a comuta între modul automat și cel manual.
În funcție de selecția dvs., se aprinde indicatorul luminos pentru modul manual **4** sau indicatorul luminos pentru modul automat **7**.
Pentru informații despre utilizarea modului manual, consultați capitolul „Modul manual”.
Pentru informații despre utilizarea modului automat, consultați capitolul „Modul automat”.
7. După ședință, îndepărtați masca pentru mână și aplicați un ser și/sau o cremă de zi/noapte pe mână.

7.2 Modul manual

- În mod implicit, produsul trece în modul manual după pornire și este selectat programul M1 (roșu).
- Dacă doriți să utilizați un alt program (M2, M3 sau M4), apăsați butonul de operare **2** de 1–3 ori, pentru a îl selecta. Indicatorul luminos corespunzător cu program **5** se aprinde și indică selecția dvs.
Indicație: Dacă apăsați butonul de operare a patra oară, produsul este oprit.
- În modul manual se aprinde indicatorul luminos pentru modul manual **4**.

- Funcțiile programelor:

Program	LED	Cel mai potrivit pentru
M1	Roșu	Reduce liniile fine și ridurile, stimulează colagenul și îmbunătățește circulația sângelui
M2	Albastru	Reduce roșeața și petele legate de acnee, oferă un ten mai neted
M3	Galben	Îmbunătățește echilibrul de umiditate al pielii și calmează pielea uscată și sensibilă
M4	Violet	Previne îmbătrânirea pielii și reduce petele, îmbunătățește vitalitatea și strălucirea pielii

- Ședința durează 10 minute. La sfârșitul perioadei ședinței, produsul se oprește automat.
- Puteți, de asemenea, să țineți apăsat butonul de operare pentru a opri produsul în orice moment.

7.3 Modul automat

- În modul automat, indicatorul luminos pentru modul automat **7** se aprinde.
- În modul automat, produsul efectuează programele în următoarea ordine:
M1 (roșu): 5 minute
M2 (albastru): 3 minute
M3 (galben): 4 minute
M4 (violet): 3 minute
- Întreaga ședință durează 15 minute. La sfârșitul perioadei ședinței, produsul se oprește automat.
- Puteți, de asemenea, să țineți apăsat butonul de operare **2**, pentru a opri produsul în orice moment.

8 Plan de aplicare

Urmați următorul program atunci când utilizați produsul pentru prima dată:

Prima săptămână	Se utilizează o dată la 3 zile, timp de max. 10 minute de fiecare dată
A doua săptămână	Se utilizează o dată la 2 zile, timp de max. 10 minute de fiecare dată
A treia săptămână	Se utilizează o dată la 2 zile pentru max. 10–15 minute de fiecare dată
A patra săptămână	Se utilizează în fiecare zi pentru max. 10–15 minute de fiecare dată

Imediat ce se văd rezultatele, ajustați frecvența la o dată sau de două ori pe săptămână.

9 Curățarea

⚠️ AVERTISMENT! PERICOL DE ELECTROCUTARE!

- Deconectați întotdeauna produsul de la sursa de alimentare înainte de curățare.

INDICAȚIE! PERICOL DE DETERIÖRARE!

- Nu utilizați mijloace de curățat agresive, perii cu peri metalici, precum și obiecte de curățat ascuțite sau metalice, cum ar fi cuțite, șpacluri dure sau altele similare.
- Nu folosiți apă fierbinte pentru curățare.
- Ștergeți masca pentru mână **1** cu o cârpă umedă sau cu o șervețel de curățare pe bază de apă. Apoi ștergeți-o cu o cârpă uscată.

10 Depozitarea

Înainte de depozitare, asigurați-vă că toate piesele s-au uscat complet.

- Depozitați produsul într-un loc curat și uscat, ferit de căldură și de lumina directă a soarelui.
- Depozitați produsul astfel încât să fie inaccesibil copiilor.
- Păstrați produsul în ambalajul său original pentru o protecție optimă.

11 Identificarea defecțiunilor

Anumite probleme sunt cauzate de defecțiuni minore, care pot fi remediate și de utilizator. În acest scop acționați conform instrucțiunilor menționate în tabelul de jos. Dacă defecțiunea persistă vă rugăm contactați serviciul clienți. Nu reparați singur produsul.

Defecțiune	Posibile cauze și soluții
Produsul nu funcționează.	<ul style="list-style-type: none"> • Asigurați-vă că produsul este încărcat corespunzător. • Asigurați-vă că produsul nu este conectat la o sursă de alimentare USB. Produsul nu funcționează în timpul încărcării.
Produsul nu se poate încărca.	<ul style="list-style-type: none"> • Asigurați-vă că cablul USB 9 este conectat în siguranță între portul de încărcare 6 și sursa de alimentare USB.

12 Date tehnice

Model:	HAC01
Puterea nominală de intrare:	5 V === 1 A
Tensiunea de funcționare:	3,7 V
Capacitatea acumulatorului:	1 500 mAh, 5,55 Wh (Litiu)
Numărul de lumini cu LED:	108
Greutate:	334 g
Dimensiuni (L × H × l):	387 × 185 × 52 mm

13 Eliminarea

13.1 Eliminarea ambalajului



Eliminați selectiv ambalajul. Predați hârtia și cartonul la maculatură, iar foliile într-un centru de reciclare.

13.2 Eliminarea produsului

(Aplicabil în Uniunea Europeană și în alte țări europene cu sisteme de colectare selectivă a materialelor reciclabile)



Este interzisă aruncarea aparatelor vechi împreună cu deșeurile menajere!

Dacă ați decis eliminarea produsului, **eliminați-l conform prevederilor legale aplicabile în țara dvs. sau în județul în care locuiți.** Prin aceasta se asigură o eliminare corespunzătoare a aparatelor vechi și se previn efectele negative asupra mediului înconjurător. De aceea, aparatele electrice sunt marcate cu simbolul indicat aici.

Bateriile și acumuloarele nu trebuie eliminate împreună cu deșeurile menajere!



În calitate de utilizator final, aveți obligația legală de a returna toate bateriile și acumulatorii – indiferent dacă conțin sau nu substanțe periculoase* – la un punct de colectare din municipiu/oraș sau la un distribuitor, astfel încât acestea să poată fi eliminate într-un mod ecologic.

Duceți produsul complet (inclusiv acumulatorul) la punctul de colectare și asigurați-vă că acesta este descărcat!

*marcat cu: Cd = Cadmiu, Hg = Mercur, Pb = Plumb

14 Informații privind garanția

Conform prevederilor menționate în legile și regulamentele UE, perioada de garanție este de 2 ani. În cazul acestui produs garanția este limitată la lipsurile tehnice, cauzate de greșelile comise pe durata procesului de fabricație. Dacă doriți să vă folosiți de garanția acordată, vă rugăm să respectați instrucțiunile comu-

nicate de serviciul nostru pentru clienți. Este posibil ca serviciul pentru clienți să poată soluționa defecțiunea fără să fie necesară predarea produsului la magazin sau la centrul nostru service. Serviciul nostru pentru clienți este mereu la dispoziția dvs.!

15 Serviciul pentru clienți

Pentru mai multe informații despre produsele Silk'n vă rugăm accesați pagina web Silk'n din regiunea dvs.: web www.silkn.eu. În cazul deteriorării aparatului sau în cazul apariției unei defecțiuni, pentru lucrările de reparații sau serviciul de asistență vă rugăm să vă adresați centrului de service Silk'n din apropierea dvs. Acest manual de utilizare poate fi descărcat și în format PDF de pe pagina web www.silkn.eu.

Nr. de service: +31(0)180-330550

E-mail: info@silkn.eu

2305_001_MULT1



Silk'n[®]

Invention Works B.V.
Galileïstraat 17, 3029 AL Rotterdam
The Netherlands

www.silkn.eu • info@silkn.eu

Silk'n UK Ltd.
2nd Floor, De Burgh House
Market Road, Wickford,
Essex, SS12 0FD
United Kingdom



© 2023 Silk'n Beauty Ltd. All rights reserved. Silk'n and the Silk'n logo are registered trademarks of Silk'n Beauty Ltd.